



Nothing But LED's Flood/Area Light is a Hybrid light offering 150 lumens per watt for maximum power savings and rebates from power companies. It provides an ultra-thin sleek design as it offers a tempered glass lens cover for better illumination & high efficiency, Standard U-Bracket Mount, adjustable angle, Optional Yoke mount and Slip fitter, Corrosion resistant not cold forged aluminium construction and remains available in Bronze Housing.

Product Features

- Up to 150 Lumens Per Watt
- Flood Area Light is Ideal to replace Halogen Lamps
- Environmentally friendly: No Mercury used
- Operating Temperature: -20°C to 45°C
- Integral LED driver (non-isolated), eliminates the need for an external driver or ballast
- Improved Lamp durability with shatterproof coated glass.
- Universal Operation at 120-277Vac 50-60Hz.
- High Quality and Efficacy SMD2835 Chips
- This product is IP66 Rated, it remains suitable for wet location and can be adjusted to 105 degree Beam Angle
- UL & DLC Listed
- 5 Year warranty

LED FLOOD LIGHTS



SKU #	Model #	Watt	Lumens	CCT Adjustable	IP	Housing	Input Voltage	Dimming	Certifications
1520833	BLT-FLE150W-50KSVP-S	150W	22500Lm	5000K	IP66	Bronze	100V-277V	0-10V	UL & DLC
1520834	BLT-FLE240W-50KSVP-S	240W	36000Lm	5000K	IP66	Bronze	100V-277V	0-10V	UL & DLC

SKU # 1520833 Specifications

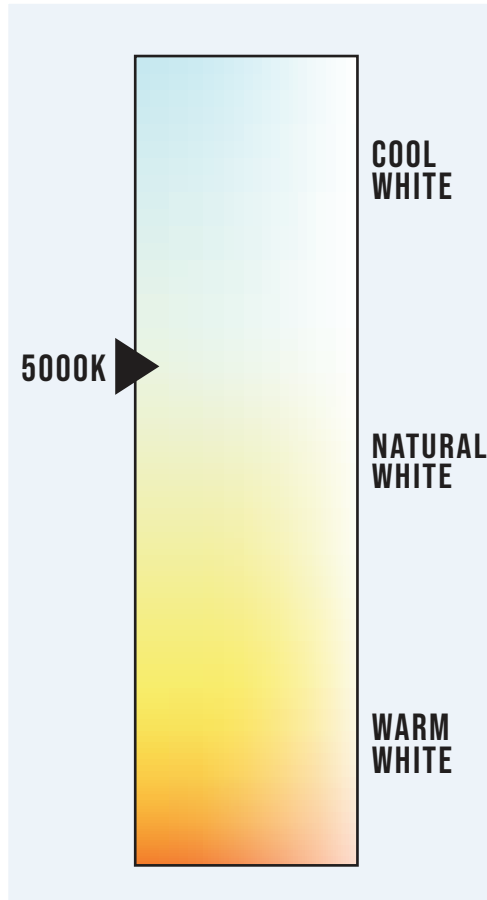
Parameter	Description	Value
General Performance	Watt	150W
	Color Temperature Adj.	5000K
	Lumens	22500LM
	Lumen Efficacy	Up to 150LM/W
	CRI (Ra)	>70
	Beam Angle	105°
	Input Voltage	100-277V
Electrical	Frequency	50/60Hz
	Dimming	0-10V Dimming
	PF	>0.92
	THD	< 16%
	Flicker Percent	No Flickering
	Driver Model	SS-150NL-260B
	Operating Temperature	-20°C to 45°C
	Storage Temperature	-40°C TO 45°C
Physical	Operating Humidity	20% - 90% RH
	Storage Humidity	10% - 95% RH
	LED Brand	SMD
	LED Type	SMD2835
	LEDs QTY	196 PCS
	Housing	Die-cast Aluminum
	Housing Color	Bronze
Qualification	Environment	Outdoor, Wet Location
	IP Rating	IP66
	Warranty	5 Years Standard Warranty

SKU # 1520834

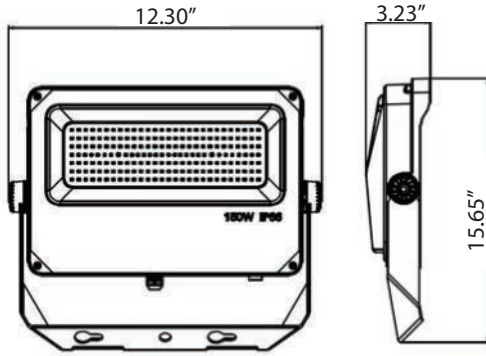
Specifications

Parameter	Description	Value
General Performance	Watt	240W
	Color Temperature Adj.	5000K
	Lumens	36000LM
	Lumen Efficacy	Up to 150LM/W
	CRI (Ra)	>70
	Beam Angle	105°
	Input Voltage	100-277V
Electrical	Frequency	50/60Hz
	Dimming	0-10V Dimming
	PF	>0.92
	THD	< 16%
	Flicker Percent	No Flickering
	Driver Model	SS-240NL-260B
	Operating Temperature	-20°C to 45°C
	Storage Temperature	-40°C TO 45°C
Physical	Operating Humidity	20% - 90% RH
	Storage Humidity	10% - 95% RH
	LED Brand	SMD
	LED Type	SMD2835
	LEDs QTY	308 PCS
	Housing	Die-cast Aluminum
	Housing Color	Bronze
Qualification	Environment	Outdoor, Wet Location
	IP Rating	IP66
	Warranty	5 Years Standard Warranty

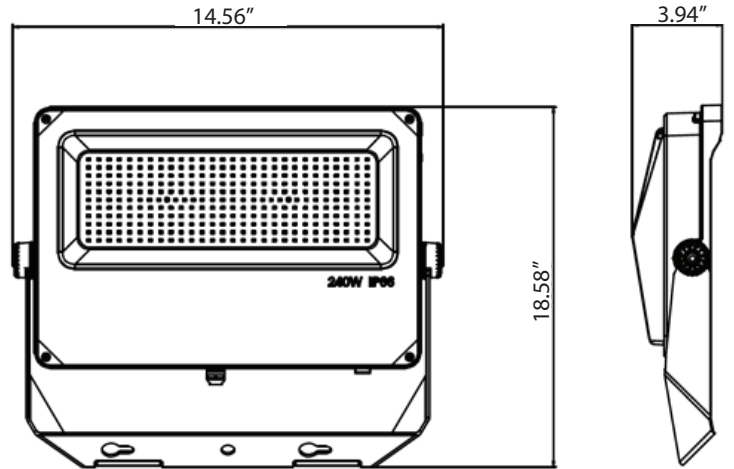
Correlated Color Temperature (CCT)



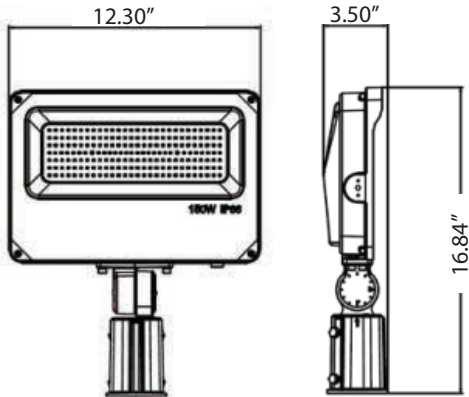
LED FLOOD LIGHTS



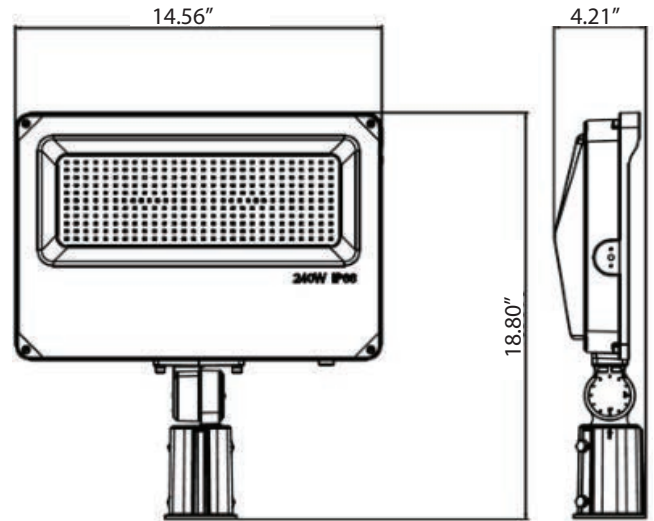
150W U Bracket Mount



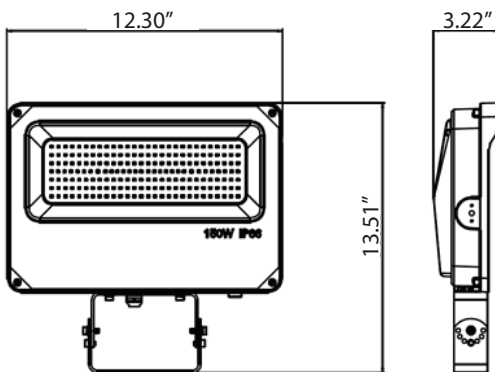
240W U Bracket Mount



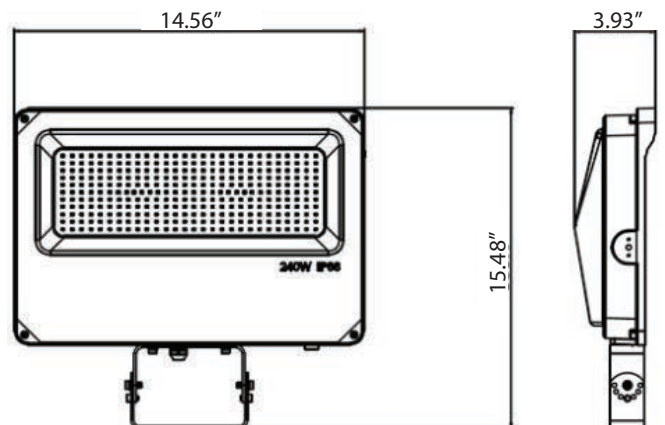
150W Slip fitter Mount



240W Slip fitter Mount



150W Yoke Mount

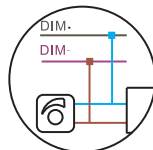
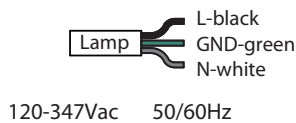


240W Yoke Mount

LED FLOOD LIGHTS



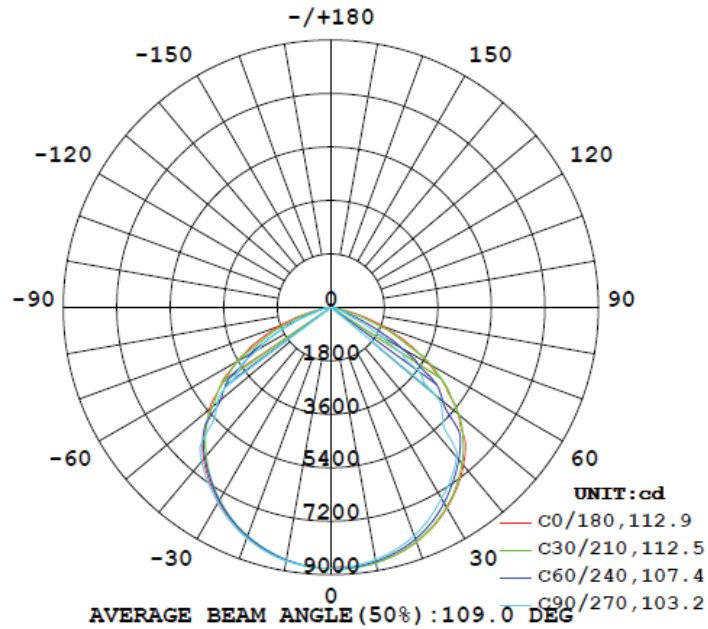
Wiring and Features



Dimmer connect the wires:
DMI+match DIM+;
DMI-match DIM-

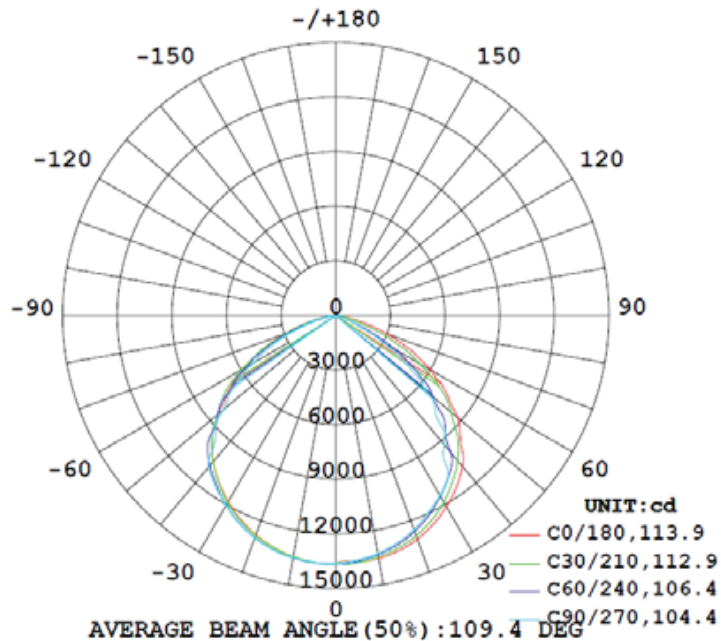
SKU 1520833 Luminous Intensity Distribution Diagram

LUMINOUS INTENSITY DISTRIBUTION DIAGRAM



SKU 1520834 Luminous Intensity Distribution Diagram

LUMINOUS INTENSITY DISTRIBUTION DIAGRAM



Installation

» Application

Widely used in shopping mall exhibition • sculptures • gymnasiums • car-parking place • stadiums • landscaping works • billboards • centre • parks • building • stairway • facades and public corridors and other indoor and outdoor lighting

» Notes before Installation

1. Be careful to open the carton, contact us if any damage.
2. This product must be installed in accordance with the applicable installation, code by a person familiar with the construction and operation of the product and the hazards involved.
3. "caution - risk of shock" and "disconnect power before servicing" when photoelectric switch provided.
4. Please check whether the voltage marked on the luminaire is consistent with the input voltage to be connected, so as not to damage the LED luminaire.
5. To ensure the lifetime of the product, please do not use it in a place with strong acid mist.
6. Make sure the installation position can withstand 10 times the weight of the luminaire before installation and install it at a flat place without vibration, no swing, no fire hazard.

» Package

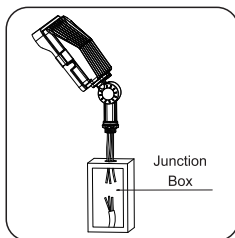
1. LED FLOOD Light
2. Installation Instruction.

» Overview Description

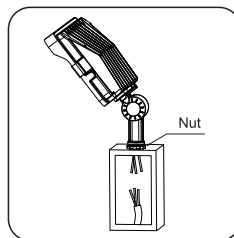


» Installation instructions

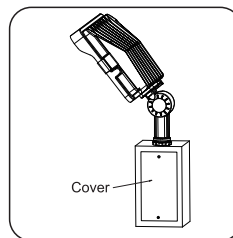
- 1/2"NPSM Knuckle Mount



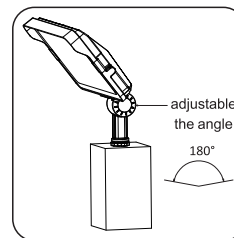
1. Put the electrical wiring into the Junction Box



2. Tighten the Nut, connect the electrical wiring according to the instruction
Caution: turn off the electricity before installation



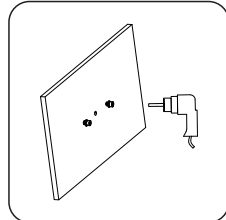
3. Tighten the Junction box cover



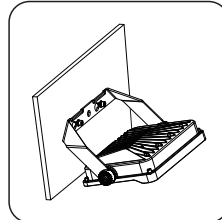
4. Use this screw to adjust the bracket angle, Rotate 180 degree
box cover

Installation

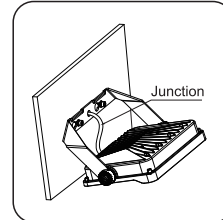
• U Bracket



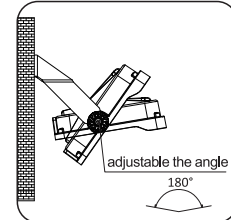
1. Drilling, and install expansion screw until the middle side



2. Tighten the Nuts

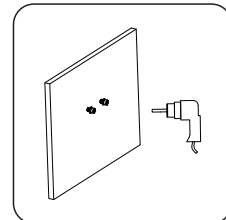


3. Connect the electrical wiring according to the instruction, **Caution:** turn off the electricity before installation

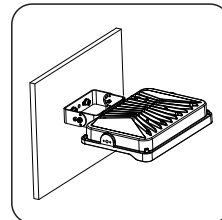


4. Use this screw to adjust the bracket angle, Rotate 180 degree

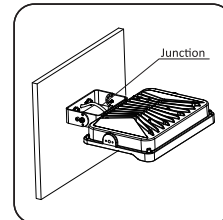
• Yoke Mount



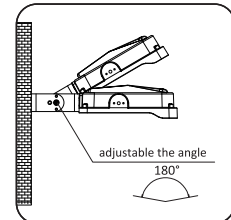
1. Drilling, and install expansion screw until the middle side



2. Tighten the Nuts

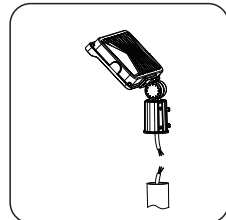


3. Connect the electrical wiring according to the instruction, **Caution:** turn off the electricity before installation

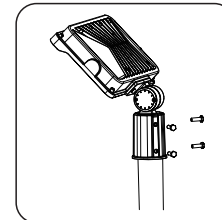


4. Use this screw to adjust the bracket angle, Rotate 180 degree

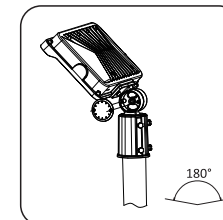
• Slip fitter



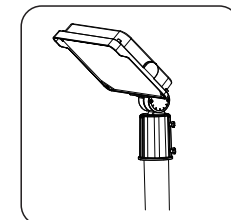
1. Connect wires and take safety measures



2. Install the lamp into the pole, Tighten the screws

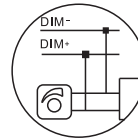
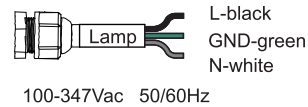


3. Open the lid, Adjust The Angle



4. Install the cover

» Wiring diagram



Dimmer connect the wires:
DMI+match DIM+ ;
DMI-match DIM-

» Shipping and Warehousing

1. Please do not shake it too much during transportation, handle carefully when unloading.
2. Recommended to be stored in a warehouse of -10~ +60°C and keep the warehouse dry.

» Trouble shooting

PROBLEM	POSSIBLE CAUSE	SOLUTION
Light will not come on	A.Light switch is turned off. B.Fuse is blown or circuit breaker is turned off. C.Incorrect circuit wiring.	A.Turn light switch on. B.Replace fuse or turn circuit breaker on. C.Verify that xture is wired properly.

LED FLOOD LIGHTS



Application Picture

- Widely used in Shopping Malls • Exhibitions • Centres • Parks • Car-parking places • Stadiums
- Gymnasiums • Billboards • Sculptures • Landscaping works • Buildings • Stairways
- Facades and Public Corridors and other indoor and outdoor lighting



Safety Precautions

To reduce the Risk of Death, Personal injury or Property damage from Fire, Electric Shock, Falling Parts, Cuts/abrasions, and other hazards read all warnings and instructions included with and on the fixture box and all fixture labels.

Before Installing, Servicing, or Performing routine maintenance upon this equipment, Follow these general precautions.

Commercial Installation, Service and Maintenance of Luminaires should be performed by a qualified licensed electrician.

For the Installation: If you are unsure about the Installation or Maintenance of the Luminaires, Consult a qualified licensed electrician and check your local Electrical Code.

To prevent wiring damage or abrasion, do not expose wiring to edges of sheet metal or other sharp objects. Do not make or alter any open holes in an enclosure of wiring or electrical components during kit Installation.

WARNING: RISK OF FIRE OR ELECTRICAL SHOCK

Turn off Electrical Power at fuse or circuit breaker box before wiring fixture to the power supply.

Turn off the power when you perform any maintenance.

Verify that supply voltage is correct by comparing it with the Luminaire Label Information.

Make all Electrical and Grounded Connections in accordance with the National Electrical Code and any applicable local code requirements. All wiring connections should be capped with UL approved wire connectors.

CAUTION: RISK OF INJURY

Avoid direct eye exposure to the light source while it is on.

Account for small parts and destroy packing material, as these may be hazardous to children.

LED FLOOD LIGHTS



Packaging

SKU #	Size (Inches)	Qty / Box	Net Weight	Gross Weight
1520833	16.9x15.2x4.9	1 PCS	9.03lbs	10.36lbs
1520834	21.8x15.15x5.51	1 PCS	11.79lbs	13.44lbs

1. Please do not shake it too much during transportation, handle carefully when unloading.
2. Recommended to be stored in a warehouse of -10~ +60 C and keep the warehouse dry.

Warranty

5 Years Warranty