



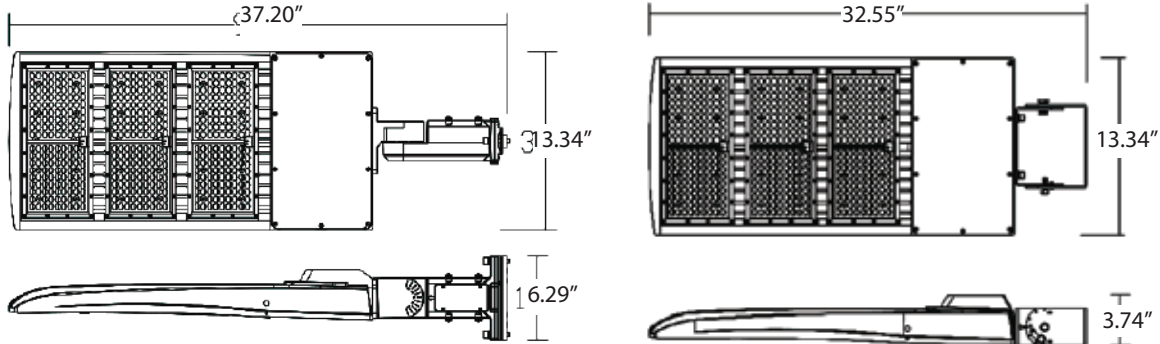
Our Area light is the most economical and newest 2021 model. Our Area light offers high lumens per watt for maximum power savings and rebates from power companies. Our Area light is a perfect solution for lighting parking areas, loading docks and other general lighting applications.

- High Efficacy LumiLEDs
- Ultra thin sleek design
- Up to 120 lumens per watt
- Several bracket options
- Heat resistant polycarbonate optical lens
- Die Cast Aluminum in Bronze
- Universal 100-277Vac
- UL & DLC Listed
- 5 Year Warranty

# LED AREA LIGHT



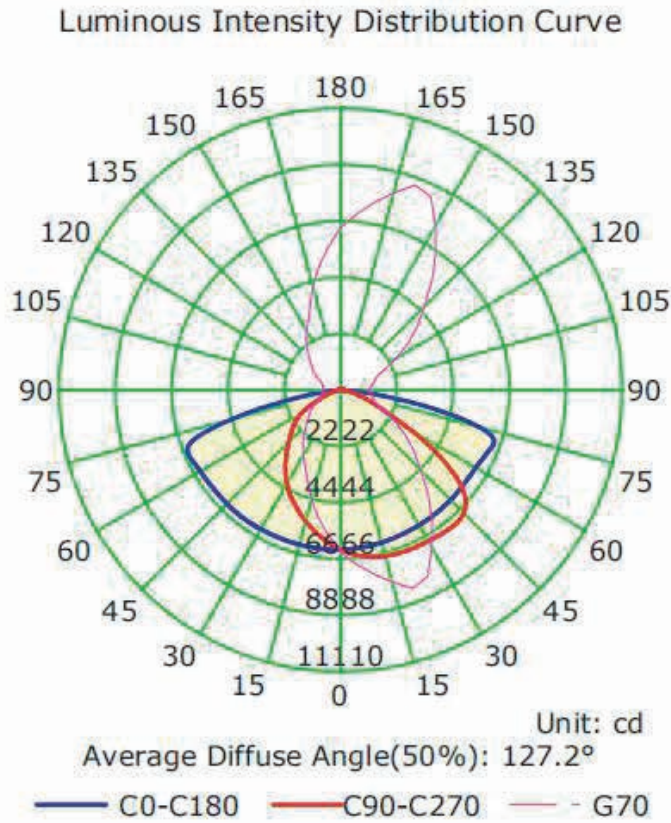
## 450W



SKU #	Model #	Housing	Watts	Lumens	CCT	Input Voltage	IP	Certification
1510695	BLT-S-G07-450WCT3B2-BH3RPDM50	Bronze	450W	56372Lm	5000K	100-277V	IP65	UL & DLC



## 150W Distribution Diagram



Luminaire Manufacturer:  
Voltage: 120.2 V  
Power: 153.10 W

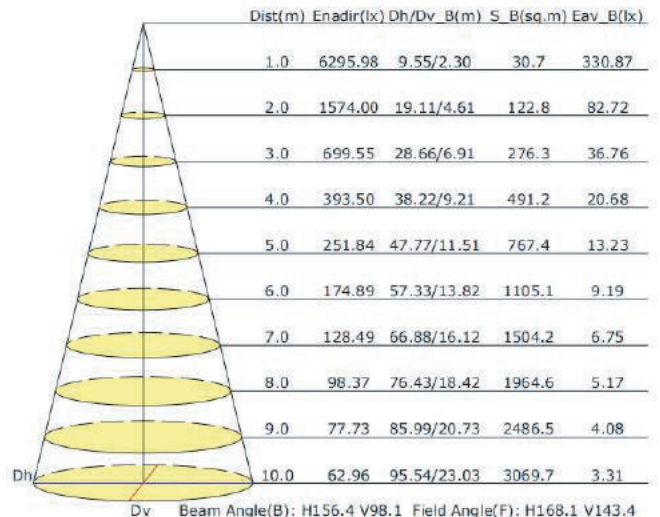
### Photometric Results

IES Classification: Type III  
Total Rated Lamp Lumens: 25178.7 lm  
Efficiency: 100%  
Upward Ratio: 1%  
Central Intensity: 6295.98 cd  
Pos of Max. Intensity: H157.5 V70

Current: 1.276 A  
Power Factor: 0.998

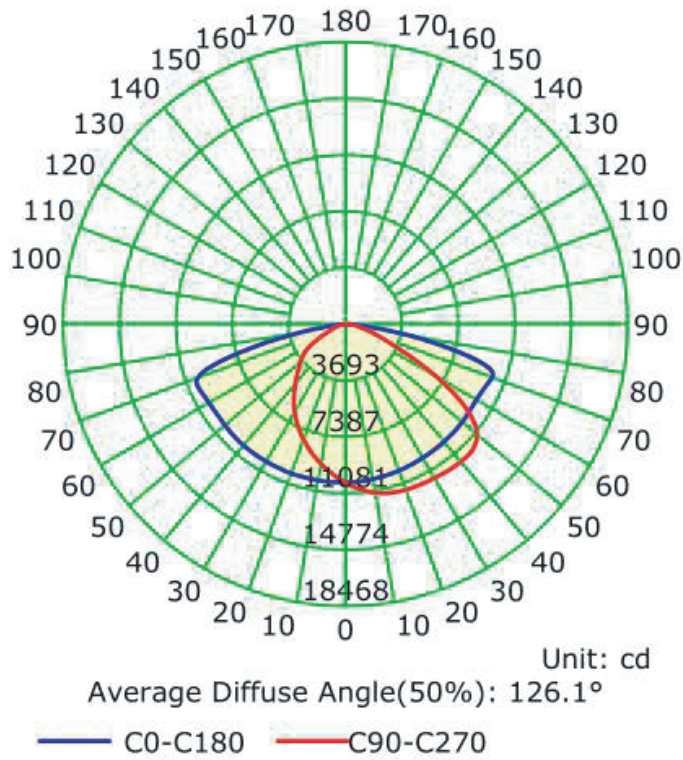
Longitudinal Classification: Medium  
Measurement Flux: 25178.7 lm  
Downward Ratio: 99%  
Luminaire Efficacy Rating (LER): 164.51  
Max. Intensity: 8888.45 cd

### Illuminance at a Distance(Beam Angle)

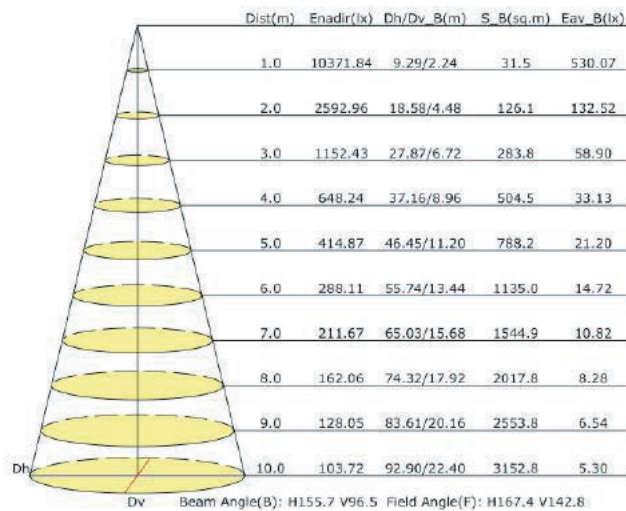


## 240W Distribution Diagram

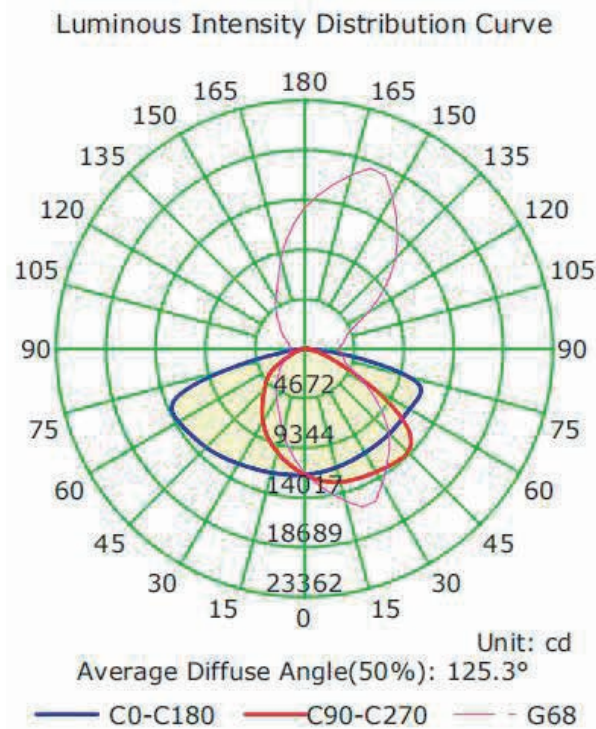
Luminous Intensity Distribution Curve



Illuminance at a Distance



## 300W Distribution Diagram



### Luminaire Property

Luminaire Manufacturer:  
Voltage: 120.7 V  
Power: 303.00 W

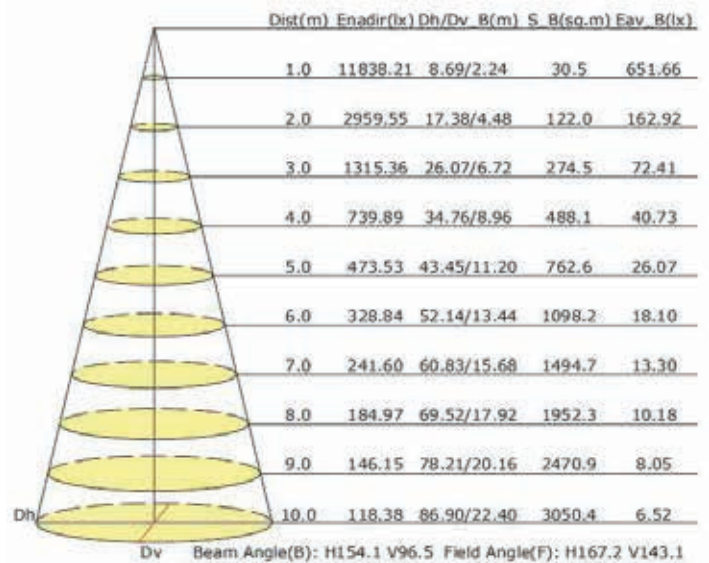
### Photometric Results

IES Classification: Type III  
Total Rated Lamp Lumens: 49132.1 lm  
Efficiency: 100%  
Upward Ratio: 1%  
Central Intensity: 11838.21 cd  
Pos of Max. Intensity: H157.5 V68

Current: 2.512 A  
Power Factor: 0.999

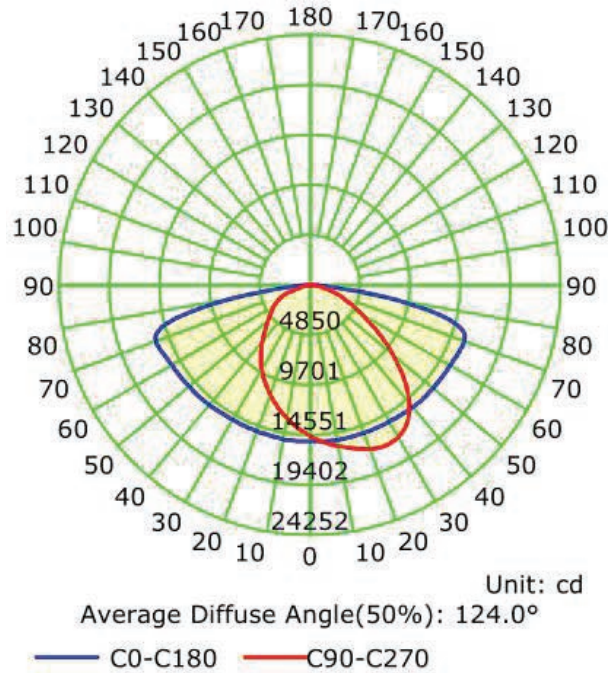
Longitudinal Classification: Medium  
Measurement Flux: 49132.1 lm  
Downward Ratio: 99%  
Luminaire Efficacy Rating (LER): 162.20  
Max. Intensity: 18689.78 cd

### Illuminance at a Distance(Beam Angle)



## 450W Distribution Diagram

Luminous Intensity Distribution Curve



### Luminaire Property

Luminaire Manufacturer:  
Voltage: 120.3 V  
Power: 448.00 W

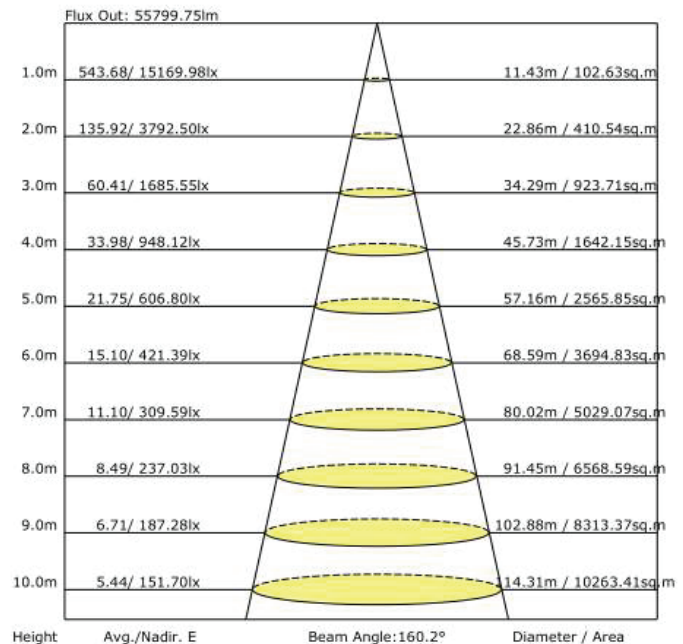
### Photometric Results

IES Classification: Type IV  
Total Rated Lamp Lumens: 57631.0 lm  
Efficiency: 100%  
Upward Ratio: 1%  
Central Intensity: 15169.98 cd  
Pos of Max. Intensity: H15 V72

Current: 3.742 A  
Power Factor: 0.995

Longitudinal Classification: Medium  
Measurement Flux: 57631 lm  
Downward Ratio: 99%  
Luminaire Efficacy Rating (LER): 128.69  
Max. Intensity: 19402.29 cd

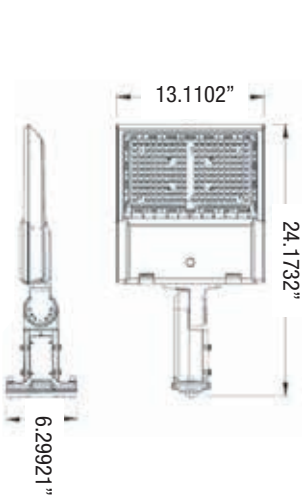
The Average Illuminance Effective Figure



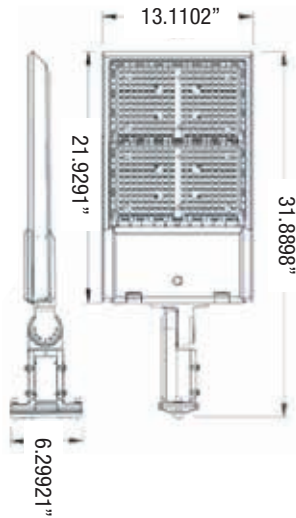
## Dimensions

### Universal Mount

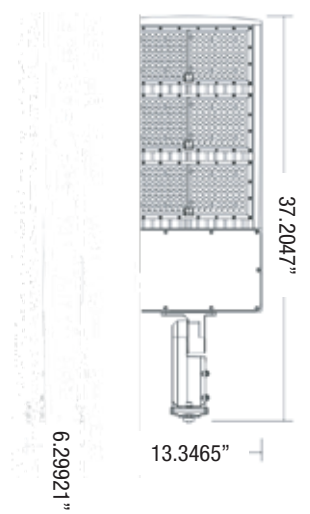
**150W**



**240W/300W**

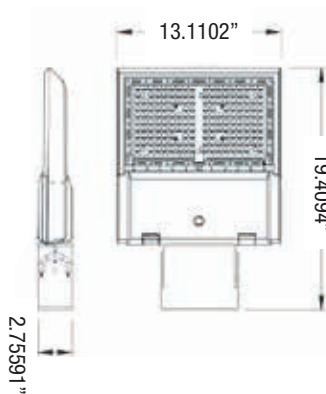


**450W**

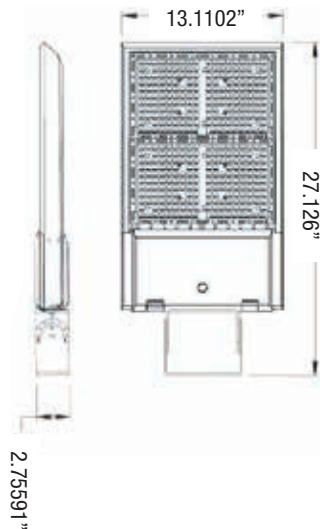


### Yoke Mount

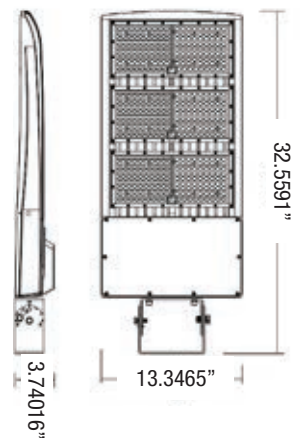
**150W**



**240W/300W**



**450W**



# LED AREA LIGHT



## Packaging

Tolerance of Carton Size:  $\pm 0.590551$  in, Tolerance of Weight:  $\pm 10\%$ .

Model	Pcs/Box	Dimensions	Weight	Pallet Quantity	Pallet Weight	Pallet Dimensions
150W	1	20" X 16" X 7"	14 Lb			
240W	1	28" X 16" X 7"	21 Lb			
300W	1	28" X 16" X 7"	21 Lb			
450W	1					
Yoke Mount	1	10" X 5" X 5"	4 Lb			
Universal Mount	1	10" X 5" X 5"	6 Lb			



## User Notice

- Please turn off the power before installing or changing assembly parts.
- The input voltage and lamps should be matching. Before connecting the power line, please make sure the wiring section is insulated.
- Only professionals should install and disassemble the lamps.

## Trouble Shooting

- Flickering light - Turn off the power and turn on again in 3 minutes. If the same phenomena occurs, then call Support.
- Not working - Please check all power connections.



## Application

