

# LED Commercial Downlight



15W

LED COMMERCIAL DOWNLIGHT

## Features

- Available with either 4", 6", or 8" downlight cans
- Innovative separable design of junction box and trim
- Easy Installation
- Ideal for soffits and ceilings
- UL & Energy Star qualified
- Optional Retro Cable & Backup Battery
- 0-10V Dimming

## Advantage

- High quality aluminium alloy
- One engine allows for seamless integration of multiple trim options.
- Safe and cool to touch
- Replace up to 85W halogen bulb
- Great heat sink dissipation
- Certificate: UL/cUL, Energy Star, LM79
- Warranty: 5 Years

## Recommended Use

- Shopping Malls
- Retail Stores
- Banquet Halls
- Auditoriums

## Input Voltage

- 100-277Vac 50/60Hz

## Qualification



# LED Commercial Downlight

LED COMMERCIAL DOWNLIGHT

LED VersaFlex Down Light	
SKU #	1500821
MODEL #	BLT-CPS-D15W-30E
COLOR TEMPERATURE	3000K

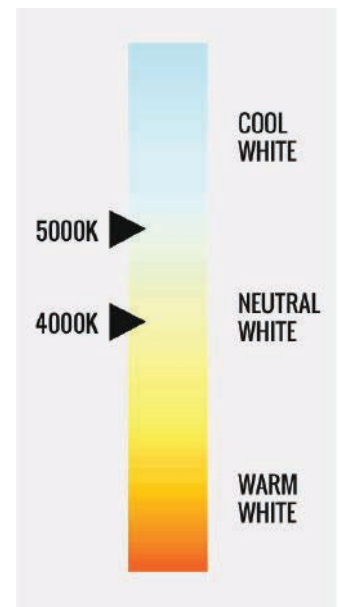
## Specifications

LUMEN	1300LM
LUMEN EFFICACY	85LM/W
CONSUMPTION	15W
VIEWING ANGLE	65° for 4" / 70° for 6" / 75° for 8"
INPUT VOLTAGE	100-277V 50/60Hz
THD	<20%
POWER FACTOR	>0.9
LIFESPAN	50,000hrs

## Fixture Specifications

LED TYPE	SMD
HOUSING	High Quality Aluminum Alloy
HOUSING COLOR	Silver

CORRELATED COLOR TEMPERATURE (CCT)



## Others

OPERATING TEMPRATURE	APPLICATION	CRI	DIMMABLE
-4°F - 104°F	Indoor / Outdoor	Ra>80	Yes

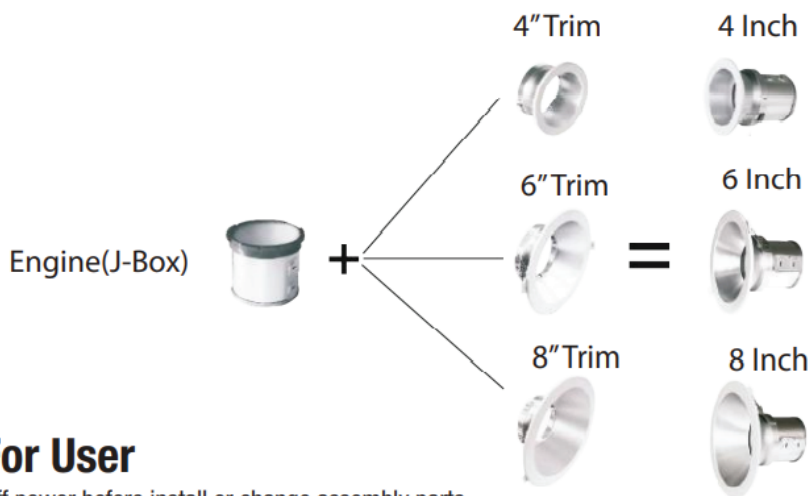
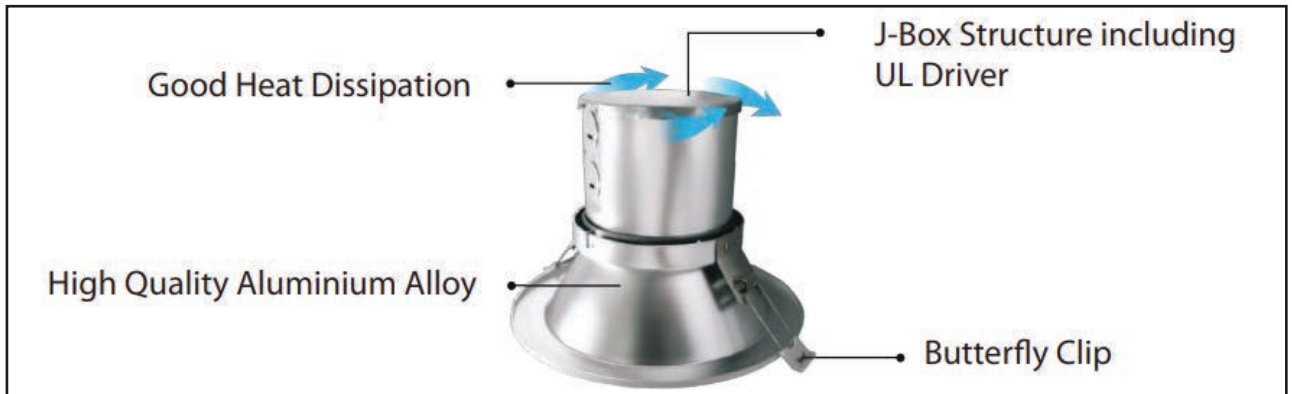
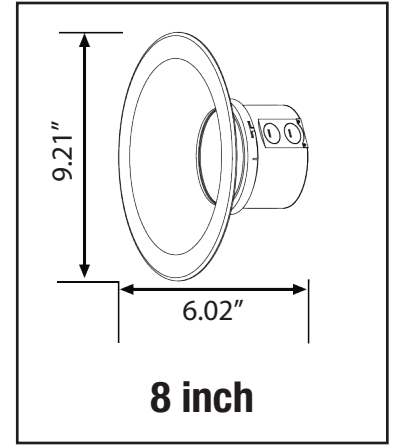
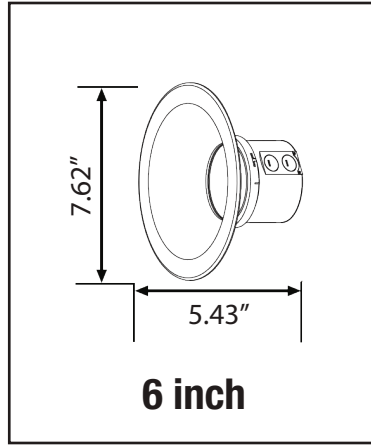
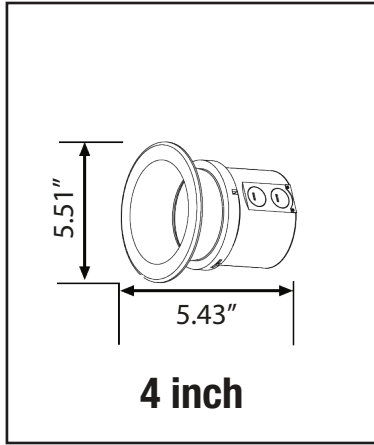
## Warranty & Qualification

WARRANTY	UL LISTED	ENERGY STAR
5-Year Limited	Yes	Yes

# LED Commercial Downlight

LED COMMERCIAL DOWNLIGHT

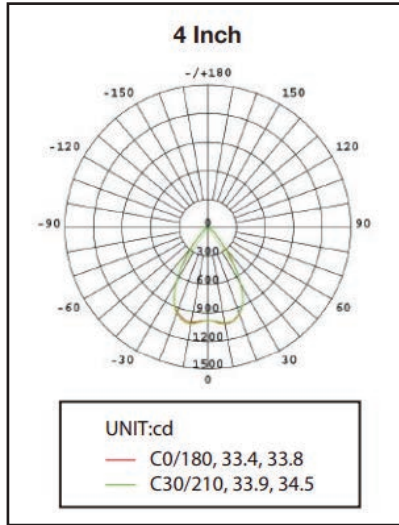
## Drawing



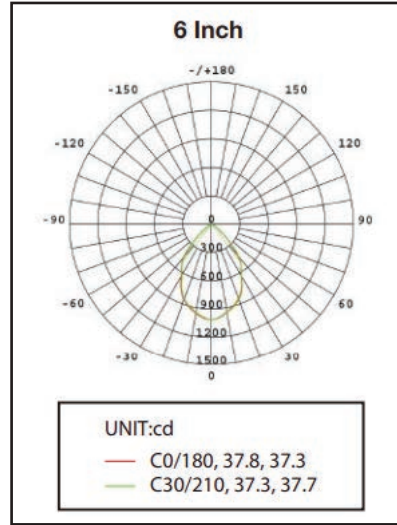
## Notice For User

- Please turn off power before install or change assembly parts.
- The input voltage and lamps should be matched, after connecting the power line, Please make sure the wiring section is insulated
- Licensed Electrician Installation ONLY.

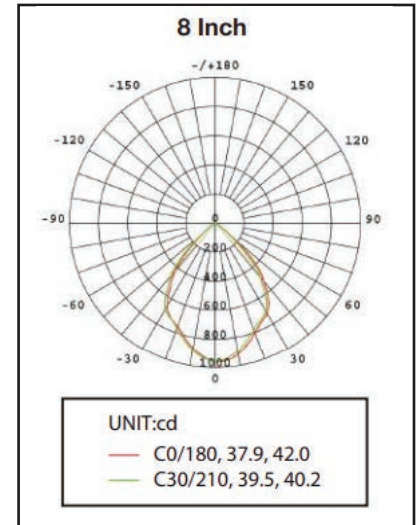
## Light Distribution Testing Parameters



AVERAGE BEAM ANGLE(50%): 67.8 DEG

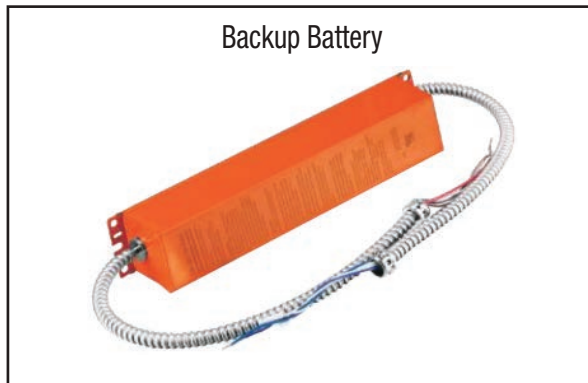


AVERAGE BEAM ANGLE(50%): 75.1 DEG



AVERAGE BEAM ANGLE(50%): 79.9 DEG

## Optional Accessories



## Battery Specifications

<b>OUTPUT POWER</b>	18W(max)	25W(max)
<b>INPUT POWER</b>	6W(Max)	
<b>OUTPUT VOLTAGE</b>	170VDC( Equivalent 120VAC)	
<b>INPUT VOLTAGE</b>	100-277 VAC, 50-60Hz	
<b>EMERGENCY OPERATIONS</b>	≥90 minutes	
<b>OPERATING TEMP</b>	32°F to 122°F	
<b>BATTERY</b>	High Temp Nickel-Cadmium 48 Hour Recharge 7-10 Year Life Expectancy	