

LED AREA LIGHT



300W SF

The New Sleek Look in LED Area Light!

.....

Features

- Phillip Chip
- DLC Premium listed
- Up to 130 lumens per watt
- Meanwell HLG Series Driver
- Fits any application

Advantage

- No UV or IR in the beam
- Easy to install and operate
- Energy saving, long lifespan
- Light is soft and uniform, safe to eyes
- Instant start, NO flickering, NO humming
- Green and eco-friendly without mercury

Recommended Use

- Security
- Streets / Parking Lots
- Outdoor Basketball / Tennis Courts
- Football Field / School Playground, Stadium
- Wide Open Areas

Input Voltage

- 100-277Vac 50/60Hz
 - 480Vac Optional
-

Qualification



LED AREA LIGHT

Product

PRODUCT NAME	LED Area Light
SKU # & CCT	110019 / SF /4000K
MODEL #	BLTSB300W4K

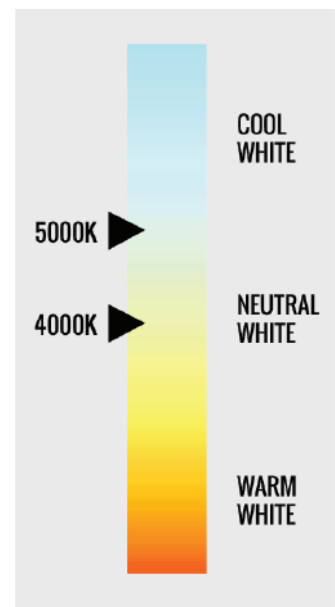
Specifications

COLOR TEMPERATURE	4000k
LUMEN	41000LM
CONSUMPTION	300W
VIEWING ANGLE	150°85
INPUT VOLTAGE	100-277Vac 50/60Hz
DRIVER MODEL	HLG-320H-48B (1-10Vdc Dimmer)
POWER FACTOR	>0.9
WATERPROOF RATING	IP65

Fixture Specifications

LED BRAND	NBL
LED TYPE	Luxeon 3030 2D (1.5W)
LED QTY	280 PCS
HOUSING	Aluminum Alloy
HOUSING COLOR	Black
OPTIONAL ACCESSORY	Photocell / Surge protector / Motion Sensor

CORRELATED
COLOR TEMPERATURE
(CCT)



Others

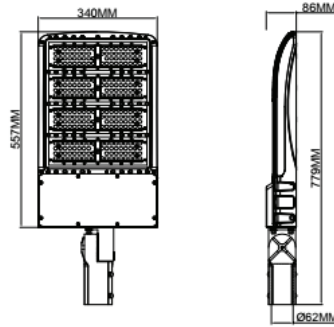
OPERATING TEMPERATURE	APPLICATION	CRI	BEAM ANGLE	DIMMABLE
-20° TO 45°	Outdoor	>70	150°85	Yes

Warranty & Qualification

WARRANTY	UL LISTED	DLC
5-Year Limited	Yes	Yes

LED AREA LIGHT

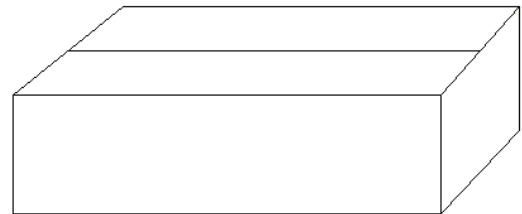
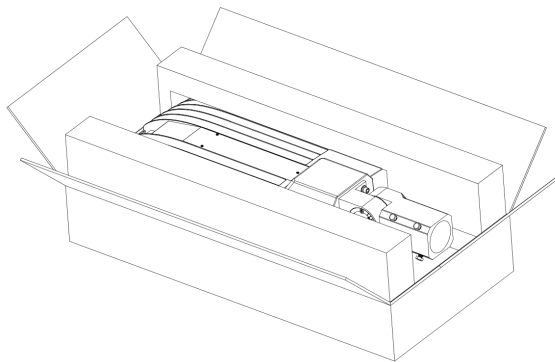
Drawing



300W SF

Package

	Lamps Net Weight	Size	Qty/Carton	Weight/Carton
Outer Box SF	25 lbs	32.3" x 15.3" x 5.7"	1	28 lbs
Outer Box YM	23.15 lbs	32.3" x 15.3" x 5.7"	1	26.25 lbs
Outer Box SF	25	32.3" x 15.3" x 5.7"	1	28 lbs
Outer Box YM	23.15 lbs	32.3" x 15.3" x 5.7"	1	26.25 lbs

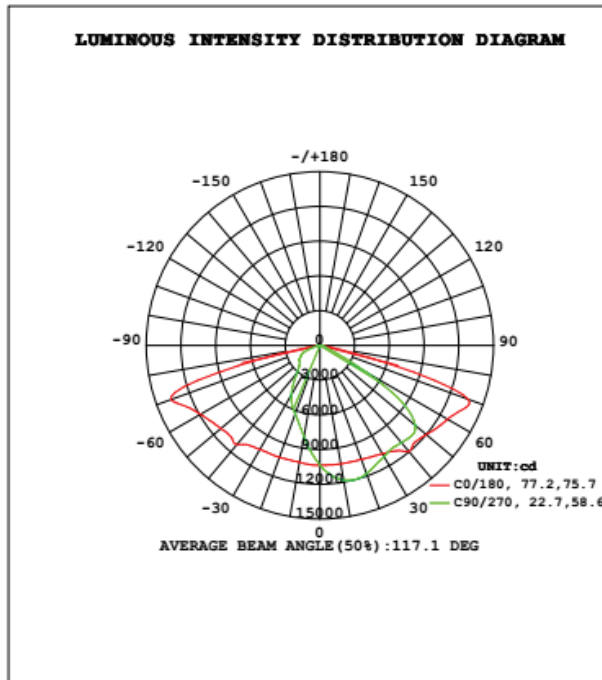


Notice For User

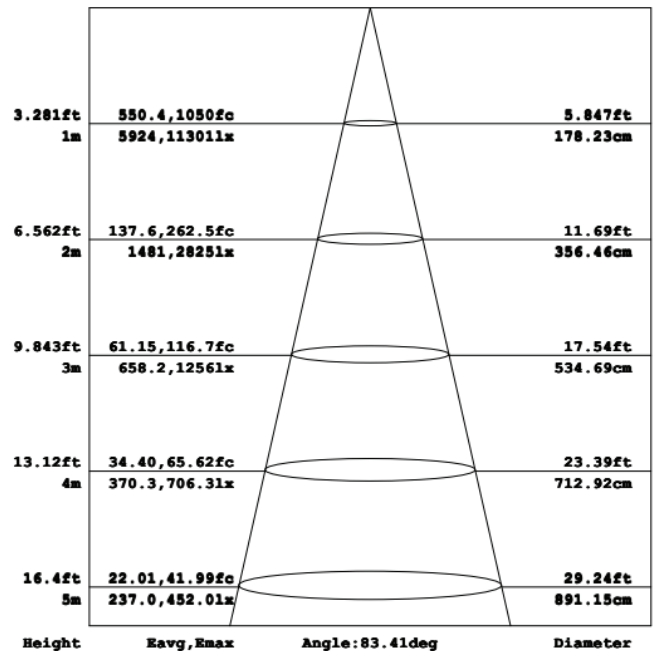
- Please turn off power before install or change assembly parts.
- The input voltage and lamps should be matched, after connecting the power line, Please make sure the wiring section is insulated
- Licensed Electrician Installation ONLY.

Light Distribution Testing Parameters

DATA OF LAMP		PHOTOMETRIC DATA Eff: 127.95 lm/W			
MODEL	BLTSB300W57K	I _{max} (cd)	18382	S/MH (C0/180)	1.63
NOMINAL POWER (W)	300	LOR (%)	100.0	S/MH (C90/270)	0.74
RATED VOLTAGE (V)	120	TOTAL FLUX (lm)	39390	η UP, DN (C0-180)	0.1, 67.3
NOMINAL FLUX (lm)	39390.4	CIE CLASS	DIRECT	η UP, DN (C180-360)	0.1, 32.5
LAMPS INSIDE	1	η up (%)	0.2	CIBSE SHR NOM	1.25
TEST VOLTAGE (V)	120.0	η down (%)	99.8	CIBSE SHR MAX	1.35



Flux out: 15089 lm



Note: The Curves indicate the illuminated area and the average illumination when the luminaire is at different distance.