

LED FLAT PANEL



40W

Features

- Super thin, super light, and super bright
- Instant on with no gradual warm-up
- Lightweight aluminum frame
- Recessed, surface-mounted and suspension installation
- Dimmable
- Efficacy 110 lumens per watt

Recommended Use

- Business Offices
- Department Stores
- Conference Rooms
- Home Basements

Advantage

- No UV or IR in the beam
- Easy to install and operate
- Energy saving, long lifespan
- Instant start, NO flickering, NO humming
- Green and eco-friendly without mercury

Input Voltage

- 100-277Vac

Qualification



LED FLAT PANEL

Product

2'x2' Panel Light		
SKU #	1090637	109645
MODEL #	BLT22P40W4KDM	BLT22P40W5KDM
COLOR TEMPERATURE	4000K	5000K

Specifications

LUMEN	4100LM (109637) & 4200LM (109645)
CONSUMPTION	40W
VIEWING ANGLE	150°
INPUT VOLTAGE	100-277Vac
POWER FACTOR	>0.90

Fixture Specifications

LED BRAND	SMD 2835
HOUSING	Aluminum
HOUSING COLOR	White
COVER	Acrylic

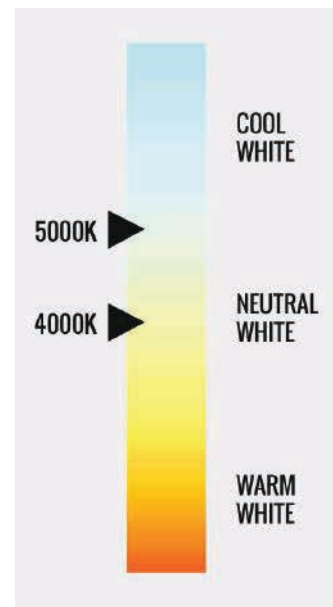
Others

APPLICATION	CRI	BEAM ANGLE	DIMMABLE
Indoor	>80	150°	Yes (0 ~ 10V)

Warranty & Qualification

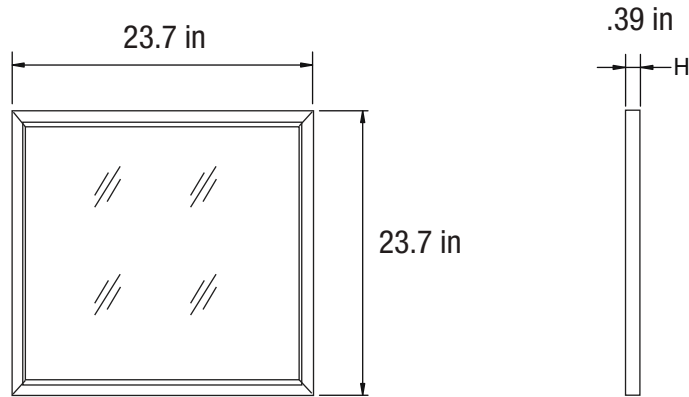
WARRANTY	ETL LISTED	DLC
5-Year Limited	Yes	Yes

CORRELATED COLOR TEMPERATURE (CCT)



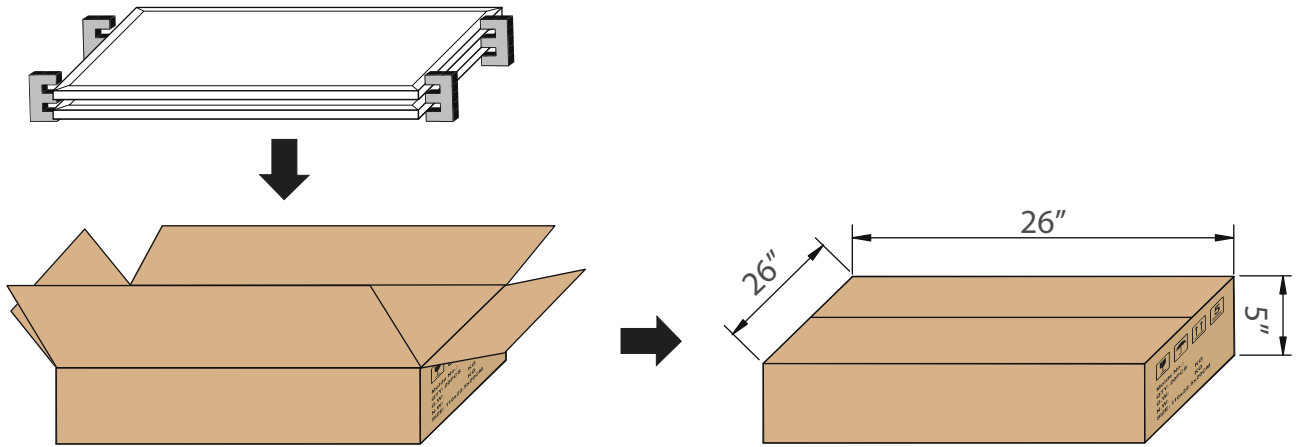
LED FLAT PANEL

Drawing



Package

Lamps Net Weight	Size	Qty/Carton	Weight/Carton
12 lbs	23.7" x 23.7" x 2.5"	2	30.9 lbs

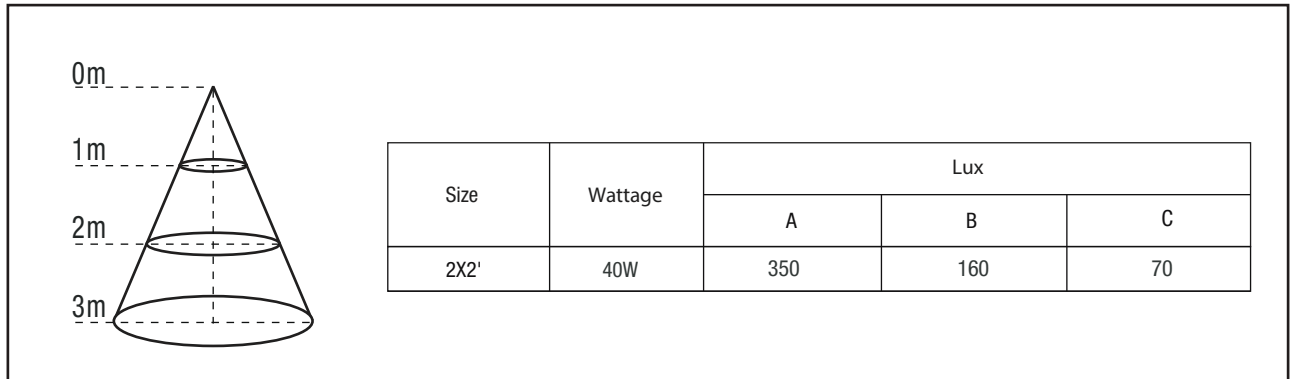


Notice For User

- Please turn off power before install or change assembly parts.
- The input voltage and lamps should be matched, after connecting the power line, Please make sure the wiring section is insulated
- Licensed Electrician Installation ONLY.

Light Distribution Testing Parameters

Lux Chart



Installation

Wall Mount

1. Nailing two plastic expansion screws and other screws into the wall according to the size shown in the illustration
2. Hanging the panel on the finished screws
3. This is the combining drawing for wall and panel, please make the installation according to the installation drawing.
4. Installation finished

Recessed Mount

- 1.
- 2.
- 3.
- 4.
- 5.
- 6.