

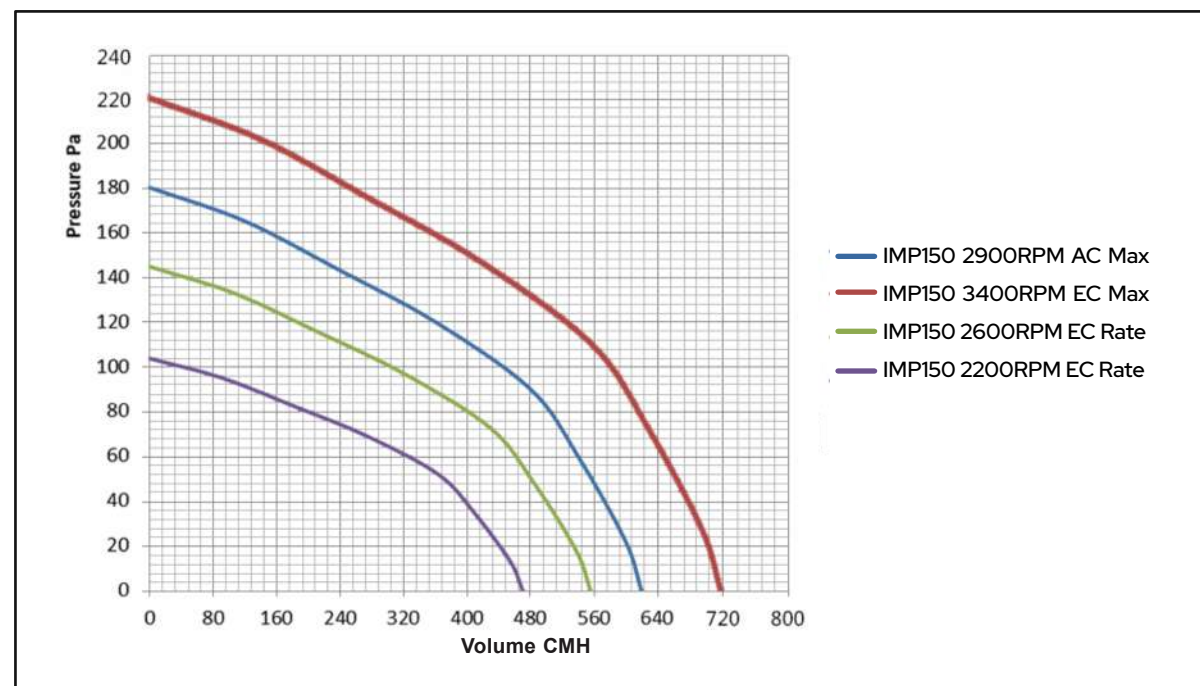
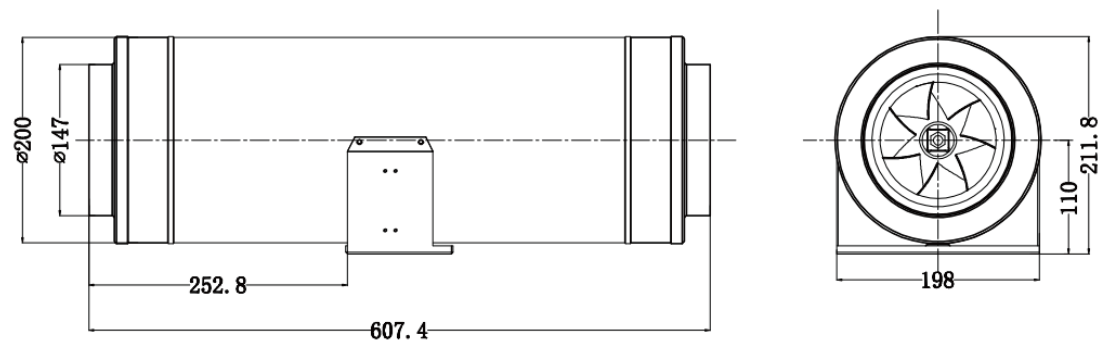


# SILENT FAN



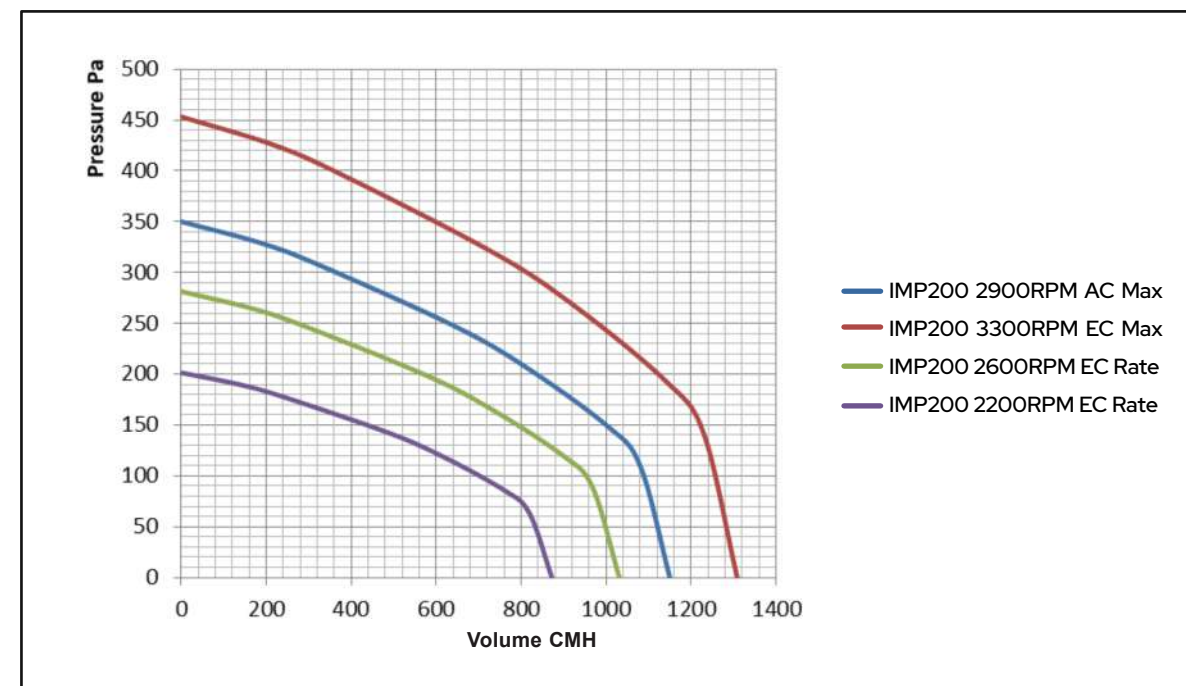
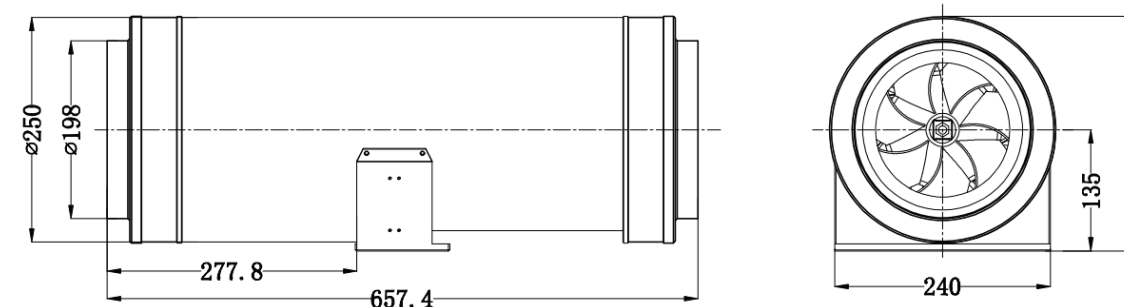
[herbals.co.nz](http://herbals.co.nz)

## IMP150 (6") Silent Fan Dimension and Performance



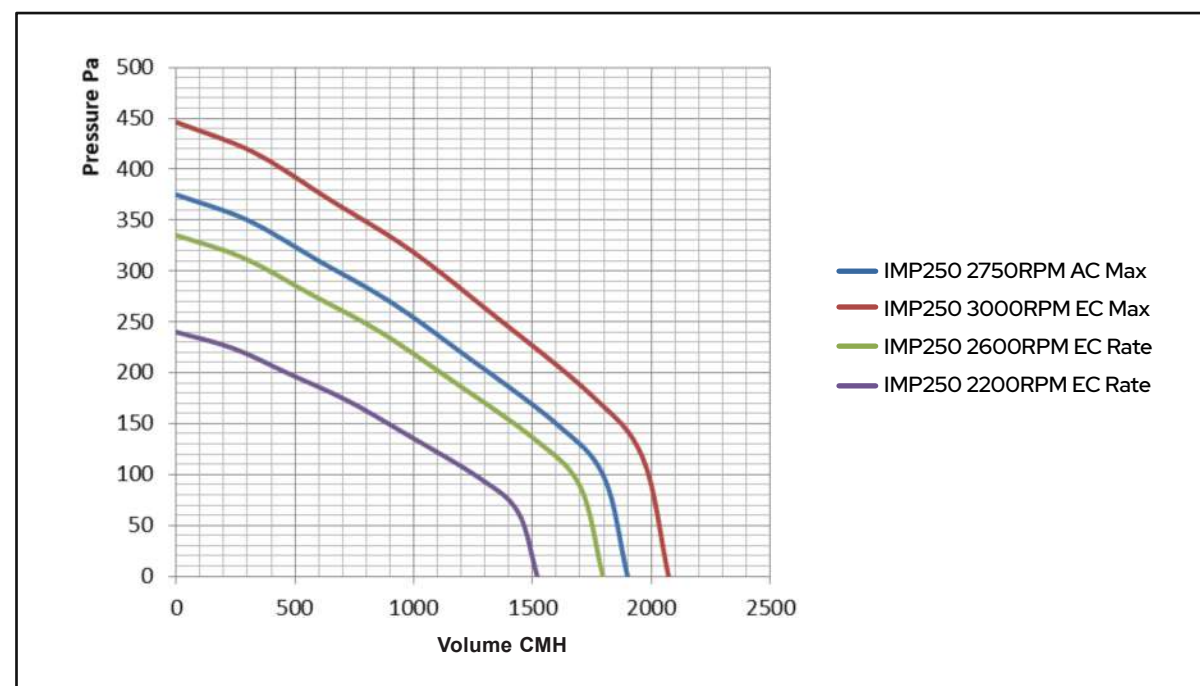
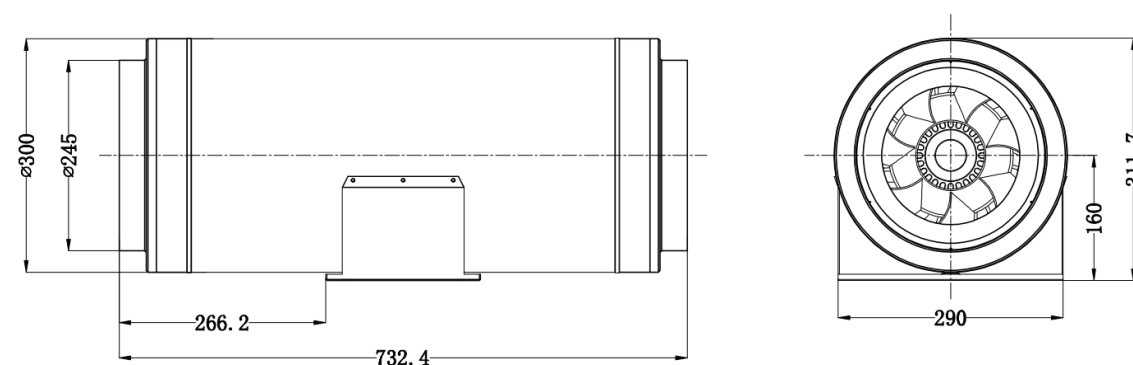
IMP150 Information	150 (6")
Voltage	EC Technology 220-240v/50-60Hz
Working Power	35W
Speed	3400RPM
Noise	53dB
Working temp	60°C
Maximum Flow Value	745CMH
Speed Control Type	PWM Control Type 0-5V

## IMP200 (8") Silent Fan Dimension and Performance



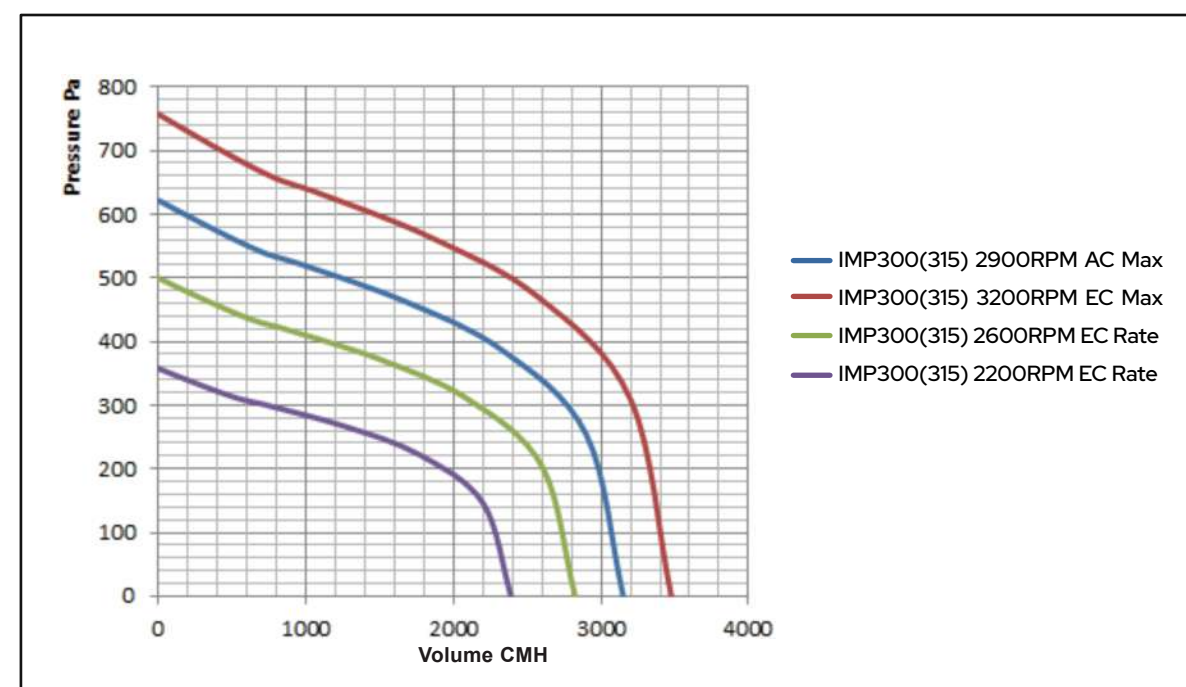
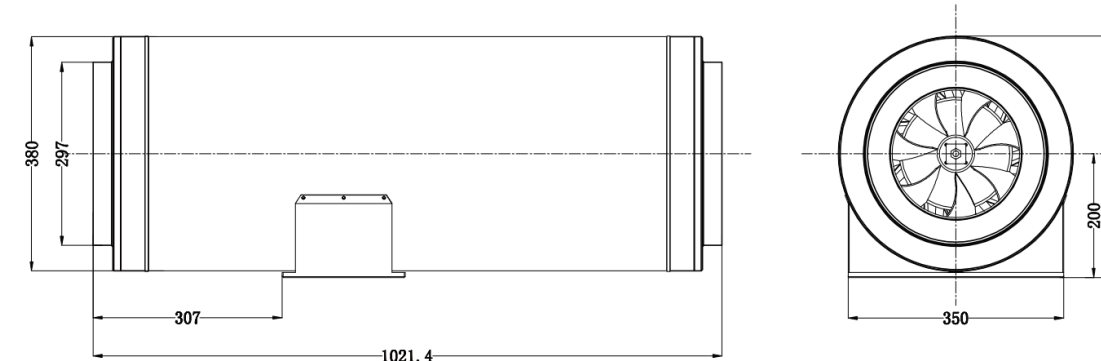
IMP200 Information	200 (8")
Voltage	EC Technology 220-240v/50-60Hz
Working Power	140W
Speed	3300RPM
Noise	59dB
Working temp	60°C
Maximum Flow Value	1310CMH
Speed Control Type	PWM Control Type 0-5V

## IMP250 (10") Silent Fan Dimension and Performance



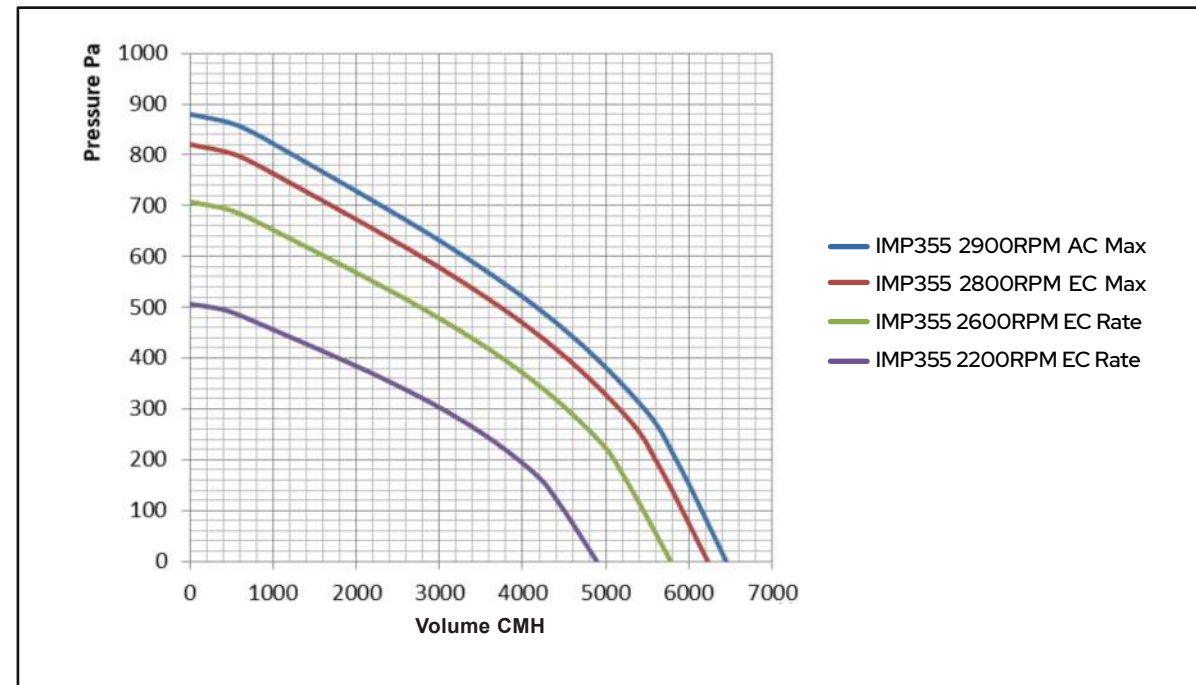
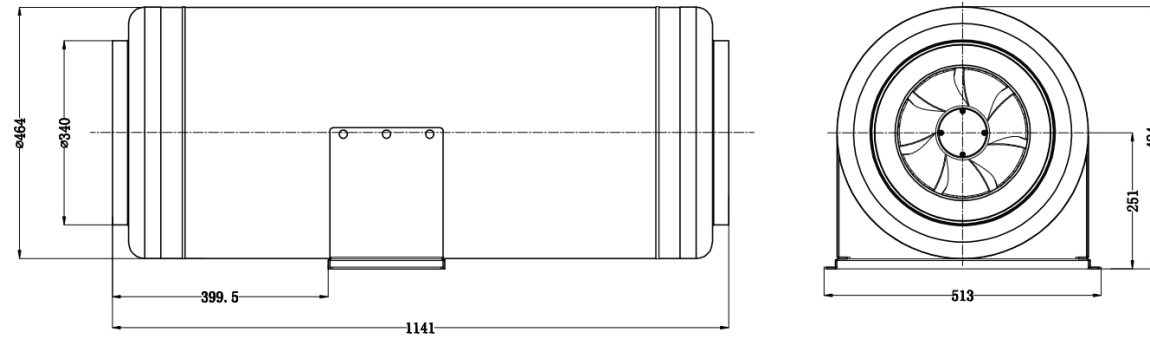
IMP250 Information	250 (10")
Voltage	EC Technology 220-240v/50-60Hz
Working Power	195W
Speed	3000RPM
Noise	62dB
Working temp	60°C
Maximum Flow Value	2100CMH
Speed Control Type	PWM Control Type 0-5V

## IMP300(315) (12" or 12.5") Silent Fan Dimension and Performance



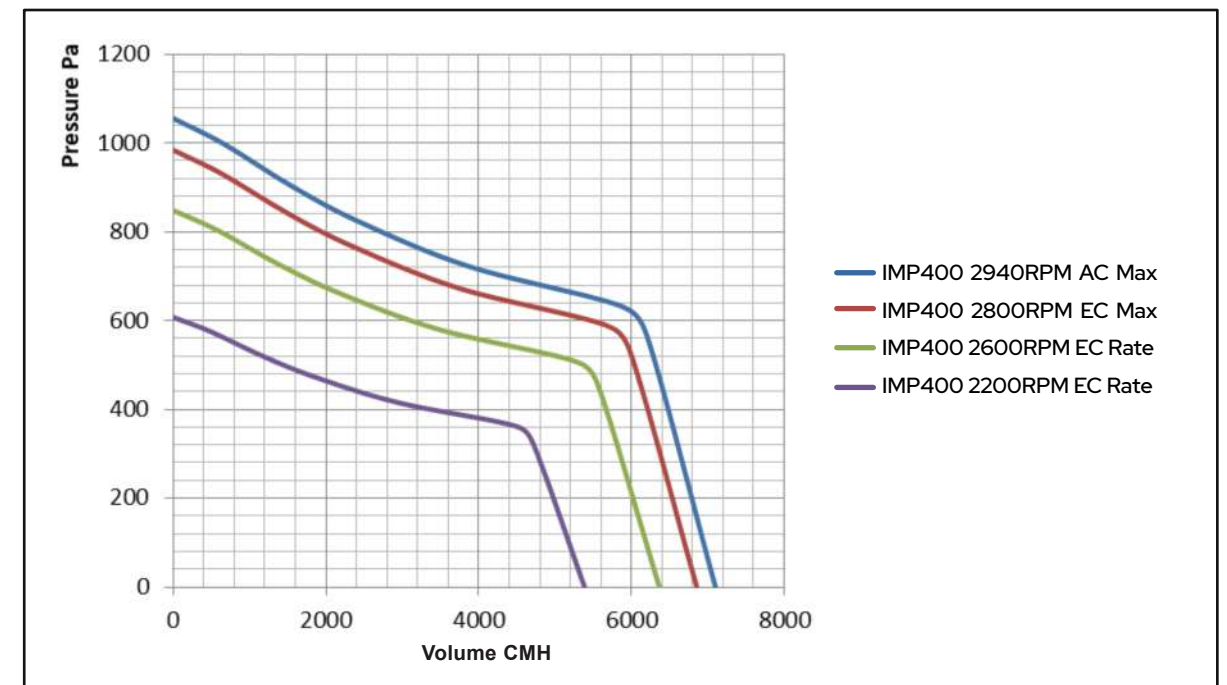
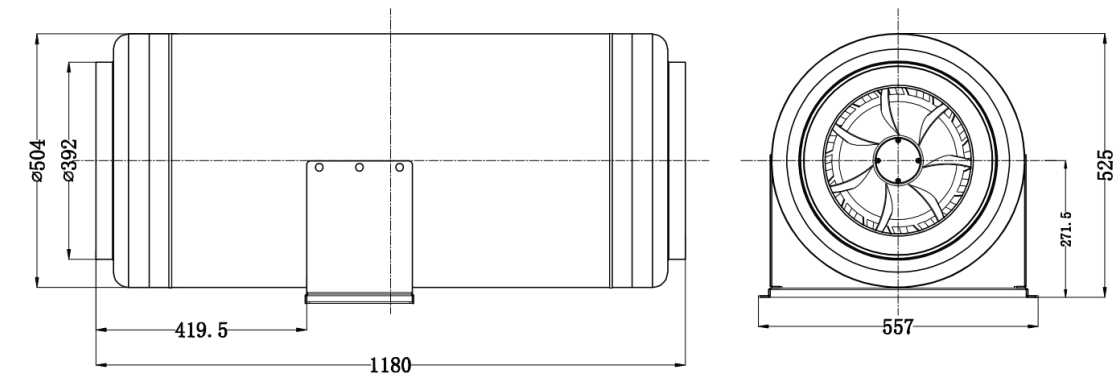
IMP300 (315) Information	300 (315) (12" or 12.5")
Voltage	EC Technology 220-240v/50-60Hz
Working Power	352W
Speed	3200RPM
Noise	70dB
Working temp	60°C
Maximum Flow Value	3000CMH
Speed Control Type	PWM Control Type 0-5V

## IMP355 (14") Silent Fan Dimension and Performance



IMP355 Information	355 (14")
Voltage	EC Technology 220-240v/50-60Hz
Working Power	659W
Speed	2800RPM
Noise	67dB
Working temp	80°C
Maximum Flow Value	6200CMH
Speed Control Type	PWM Control Type 0-5V

## IMP400 (16") Silent Fan Dimension and Performance



IMP400 Information	400 (16")
Voltage	EC Technology 220-240v/50-60Hz
Working Power	1.2KW
Speed	2800RPM
Noise	70dB
Working temp	80°C
Maximum Flow Value	6800CMH
Speed Control Type	PWM Control Type 0-5V



[herbals.co.nz](http://herbals.co.nz)