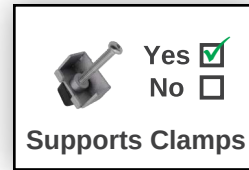


11.6" Open Frame Capacitive Touch Monitor

FT116TMCAPOFHBOB



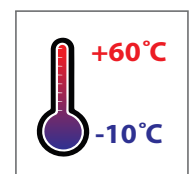
- 1.1mm cover glass with 7H surface hardness
- Optically bonded Touch Panel to LCD Panel
- Anti-glare surface treatment (chemical etching)
- 10-Finger-Multi Touch Capacitive Touch Panel
- A+ quality LED backlight panels with 100k hours lifetime
- 1000+ cd/m² brightness
- Integrated audio speakers (2x2w)
- 2 year guarantee



faytech's Open Frame Capacitive Touch Monitors are the perfect choice for industrial and business applications. The capacitive 10-finger multitouch panel brings an easy using experience for a wide range of applications. Each model in this series is built for reliable and extended service by using an A+ quality HD LCD panel with energy efficient LED technology. It is equipped with a wide range of standard connectors, such as HDMI, DVI, VGA, USB-Touch, serial and DC-In.

This device has an optically bonded touch panel, which will improve the stability, reduce the reflection, increase the viewing angle, and enhance the perceived brightness. It also provides resistance to dust particles and shows a better image in general. This open frame version is a light weight model without any back case, which makes it perfect for integrating into your own system or mount at different locations.

It is the perfect interactive solution for digital signage, classrooms, meeting rooms, industrial automation, shopping malls, hotels and many other areas.



Product Name	11.6" Open Frame Capacitive Touch Monitor
Model No. / EAN No.	FT116TMCAPOFHBOB / 6920734011605

IP Rating	
IP65 Front / IP40 Back	

LCD Panel	
Screen diagonal (Inch/cm)	11.6/29.46
Display active screen size (cm)	25.63×14.42
Aspect ratio	16:9
Physical resolution	1920×1080
Maximum showable resolution	1920×1200
Colours displayed	16.7M
Brightness (cd/m ²)	1000
Contrast	800:1
Typical reaction time Tr/Tf (ms)	14/11
Visual Angle horizontal/vertical (°)	178/178
Backlight / Backlight Lifetime (hours)	LED / 100,000

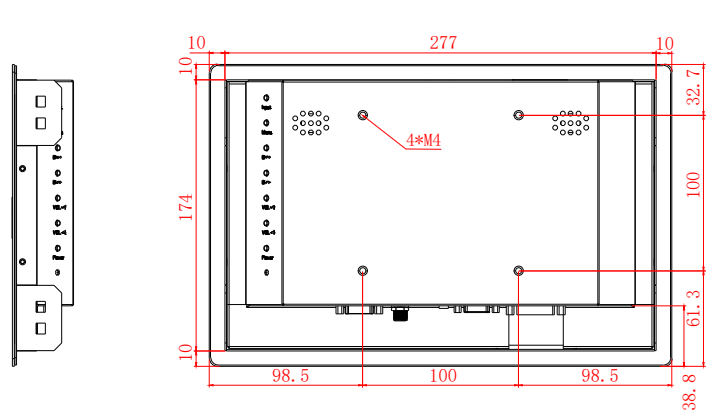
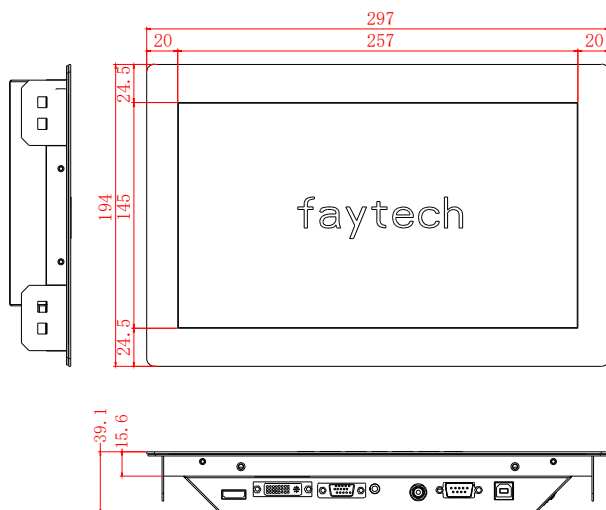
External Connectors	
Video	1x HDMI 1.3 (incl. HDCP)
	1x DVI-D
	1x VGA
Audio	1x PC-Audio
Touch Connector	1x USB
Connectors	1x Serial
	1x 12V DC-In

Touch Panel	
Touch Technology	Projected Capacitive 10-point Multitouch
Touch Panel Drivers	Windows; Linux; Mac; Android
Touch Life (Contacts)	Unlimited
Surface Hardness	7H
Surface Treatment	Anti glare (chemical etching)

Operation / Mechanical	
Operating Temperature (°C)	-10 ~ +60
Humidity Range (RH)	10% - 90%
Net weight (kg)	2.00
Gross weight (kg)	4.00 (incl. cartonage)
Housing material (open frame)	Aluminum
Housing (mm) L × W × H	297.0 × 194.0 × 39.1
Cut-out required (mm) L × H	283.0 × 180.0
Amount of clamps required	4
(optional) Tape length required (mm)	946.0 (2× 293.0 + 2× 180.0)
(optional) Amount of glue required (ml)	4.73
Mounting	VESA 100

Power	
Power Supply	100-240V ACDC active switching; 12V DC-Out
Working Power (V)	12
Power Consumption (W)	12
Stand-By Consumption (W)	<1

Included in the Delivery	
Power Supply (see Power section)	
Short Installation Manual	
HDMI Cable	
USB Cable	



General Tolerance ISO 2768c