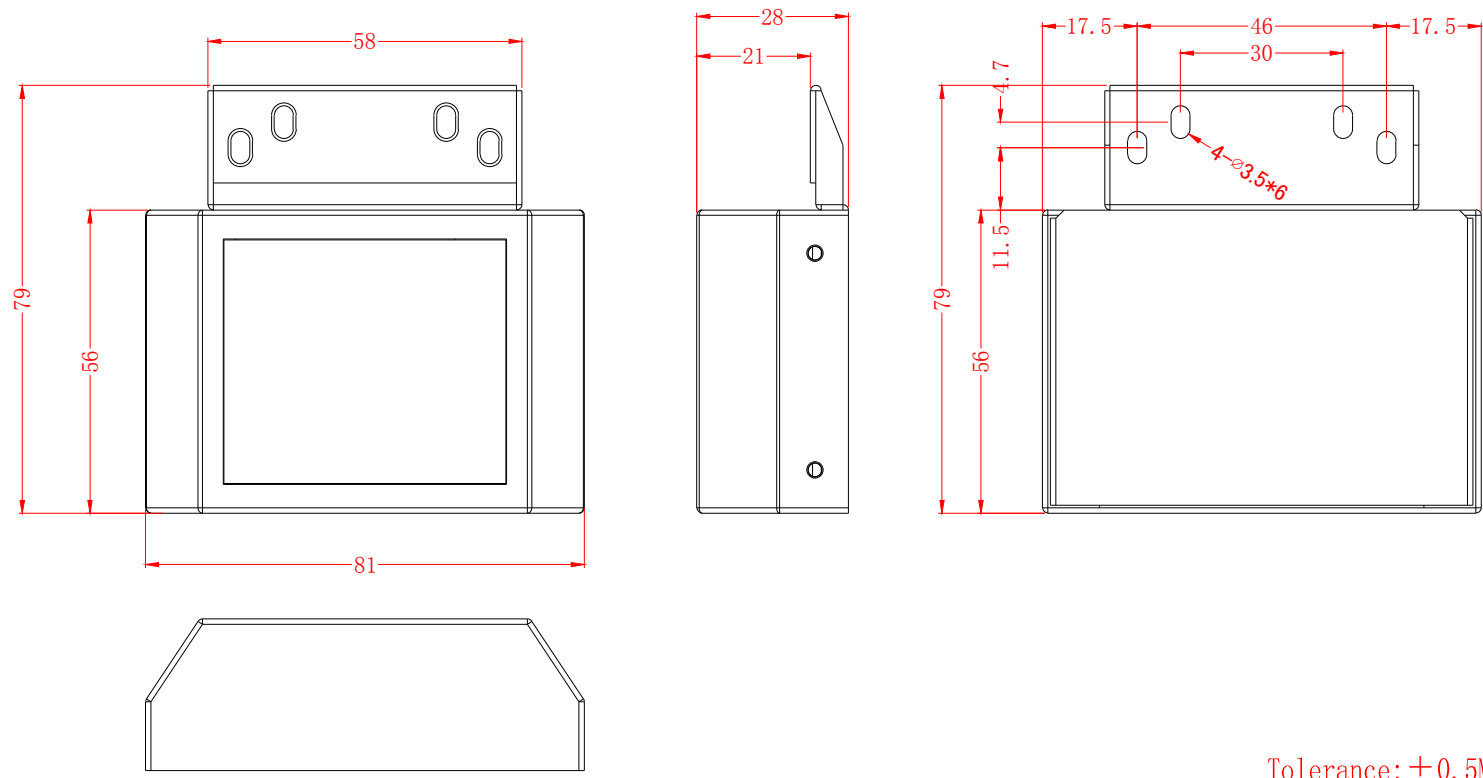

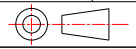


6		7		8	
No.	Rev.	Revision Record		Date	
△					



Tolerance: ±0.5MM

General Tolerance	ISO 2768-1c	 深圳市飞帆泰科技有限公司 SHENZHEN FEIFANTAI TECHNOLOGY CO., LTD			
UNIT	mm	Description		RFID	
Scale	1:1	Designed	jiangfan	Date	2019-08-07
REV.	A0	Checked		Date	
		Approved		Date	