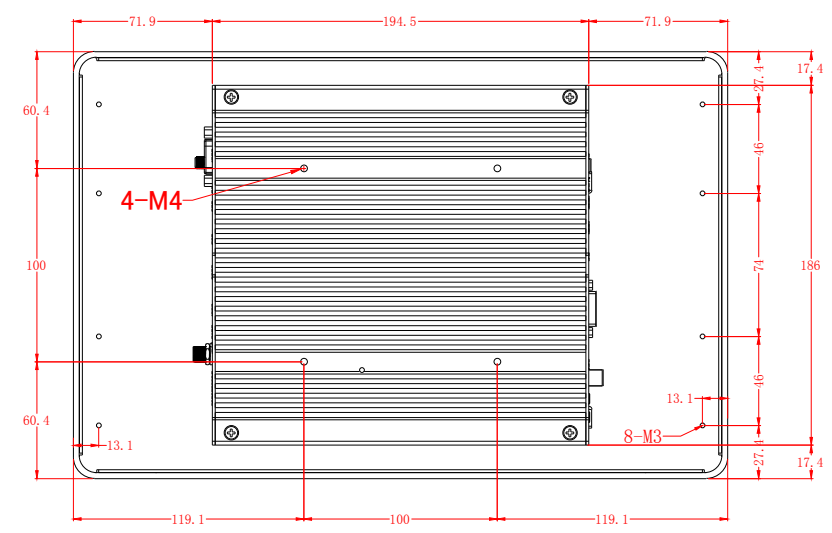
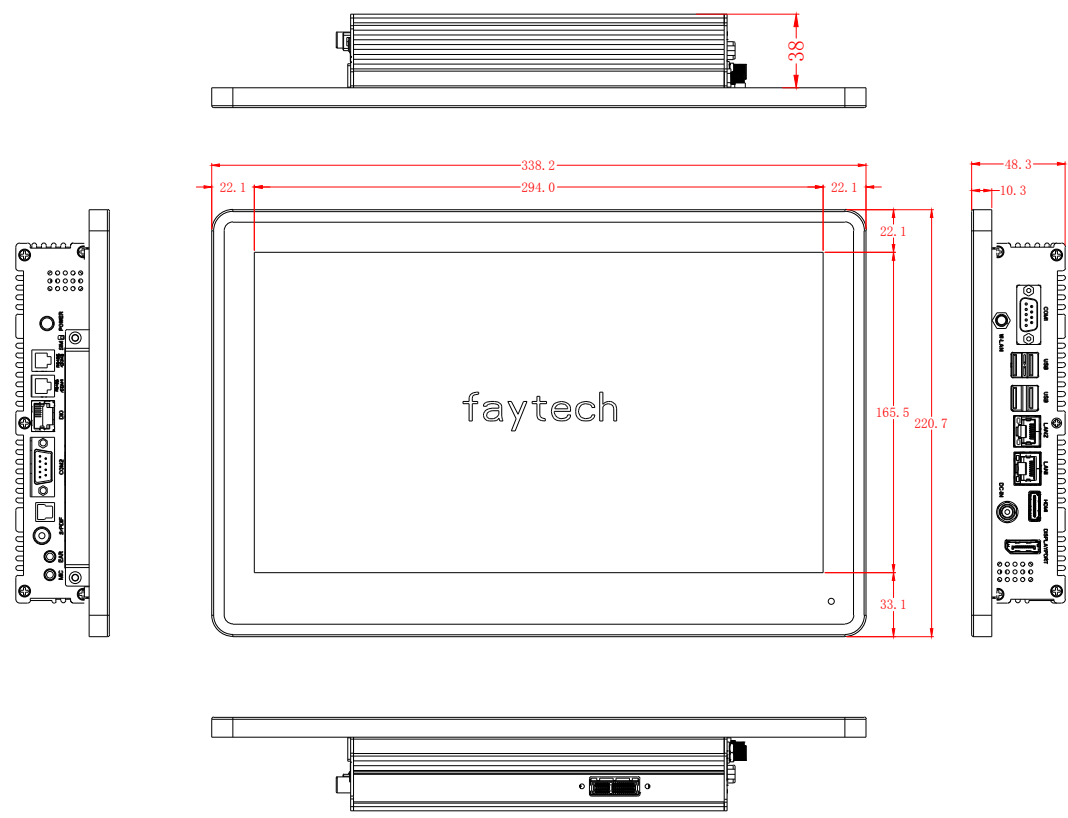

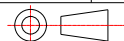




No.	Rev.	Revision Record	Date
△			



General Tolerance	ISO 2768-1c	 深圳市飞帆泰科技有限公司 SHENZHEN FEIFANTAI TECHNOLOGY CO., LTD			
UNIT	mm	Description	133 PC		
Scale	1:1	Designed	jiangfan	Date	2019-12-25
REV.	A0	Checked		Date	
		Approved		Date	