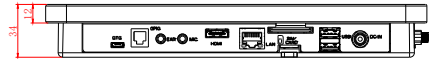
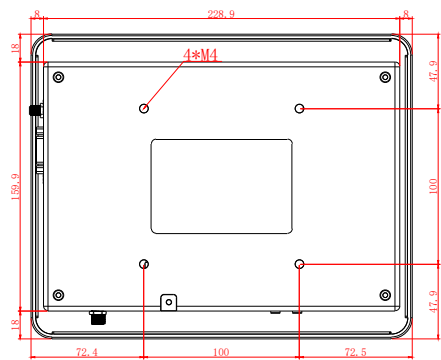
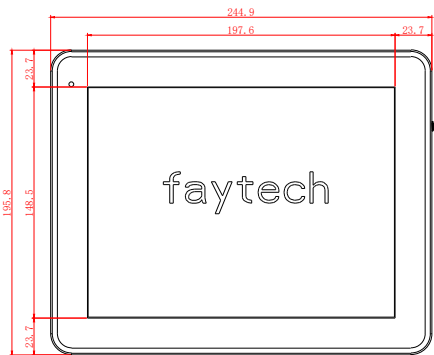


| No. | Rev. | Revision Record | Date |
|-----|------|-----------------|------|
| △ | | | |
| | | | |
| | | | |



Tolerance: $\pm 0.5\text{mm}$

| | | | | | |
|----------------------------------|-------------|--|--|-------------------|----------|
| General Tolerance ISO 2768-1c | ISO 2768-1c | 深圳市飞帆泰科技有限公司 SHENZHEN FEIFANTAI TECHNOLOGY CO., LTD | | | |
| UNIT | mm | Description | | 9.7寸橡胶边框1.1盖板-V40 | |
| Scale | 1:1 | Designed | | Date | 2019-9-4 |
| REV. | | Checked | | Date | |
| | | Approved | | Date | |