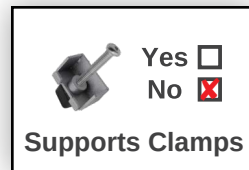


8" Capacitive Touch Monitor

FT08TMCAPOB



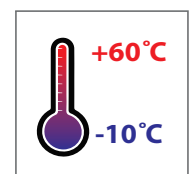
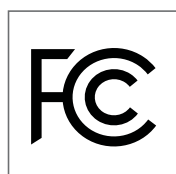
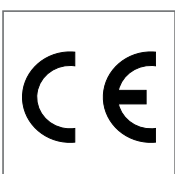
- Anti-glare surface treatment (chemical etching)
- 10-Finger-Multi Touch Capacitive Touch Panel
- 1.1mm cover glass with 7H surface hardness
- Optically bonded Touch Panel to LCD Panel
- Patented IP65 front with silicon seal
- Integrated audio speakers (2x2w)
- 2 year guarantee



faytech's Capacitive Touch Monitors have a modern sleek look with its flat edge to edge glass IP65 water- and dust proof front panels. This device has capacitive 10-finger multitouch (40-finger for 86" device), glass front reaching MosH 7, the glass surface is anti-glare treated (chemical etching) and a wide variety of connectors. All the monitors have VESA 75 or VESA 100 screw patterns on the back, while the 13.3" to 21.5" come with their own desktop stand included.

This device has an optically bonded touch panel, which will improve the stability, reduce the reflection, increase the viewing angle, and enhance the perceived brightness. It also provides resistance to dust particles and shows a better image in general.

These devices are the perfect choice for a wide variety of applications, including POS systems, control panels in industrial fields, kiosk systems, office/residence automation, digital signage and in areas like shopping malls, classrooms, hotels and many more.



Product name				8" Capacitive Touch Monitor			
Article code / EAN number				FT08TMCAPOB / 6920734008100			
Global Article Code	European Article Code	Release date	Version	Global Article Code	European Article Code	Release date	Version
20205095889	1010502047	11/08/2020	V1				

IP Rating	
IP65 Front / IP40 Back	

LCD Panel	
Screen diagonal (Inch/cm)	8/20.32
Display active screen size (cm)	16.20×12.20
Aspect ratio	4:3
Physical resolution	1024×768
Maximum showable resolution	1920×1080
Colours displayed	16.7M
Brightness (cd/m ²)	250
Contrast	700:1
Typical reaction time Tr/ Tf (ms)	6/14
Visual Angle horizontal/vertical (°)	150/150
Backlight / Backlight Lifetime (hours)	LED / 20,000

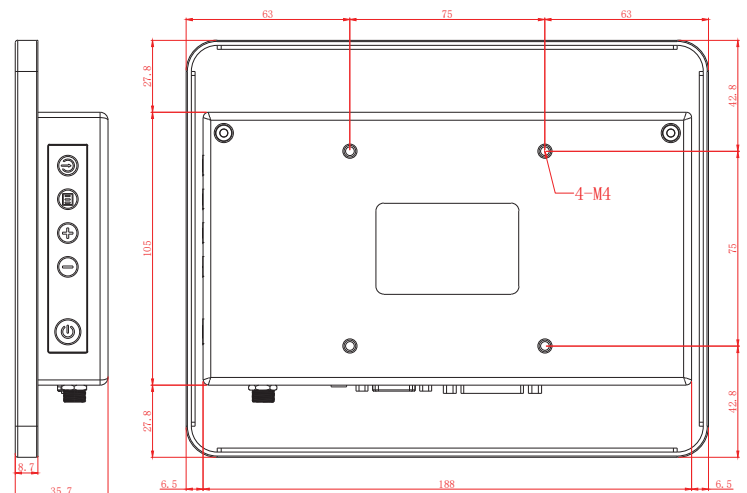
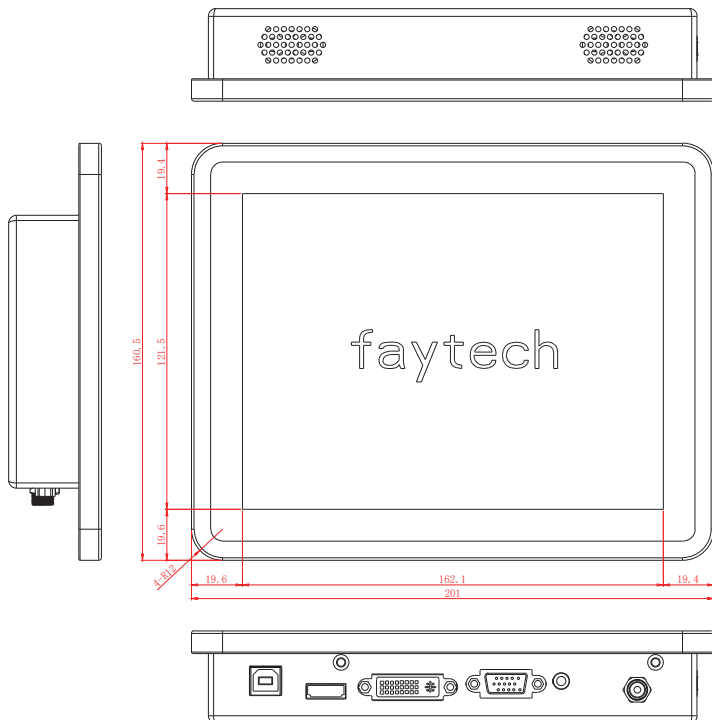
External Connectors	
Video	1x HDMI 1.3 (incl. HDCP)
	1x DVI-D
	1x VGA
Audio	1x PC-Audio
Touch Connector	1x USB
Connectors	1x 12V DC-In (screwable)

Touch Panel	
Touch Technology	Projected Capacitive 10-point Multitouch
Touch Panel Drivers	Windows; Linux; Mac; Android
Touch Life (Contacts)	Unlimited
Surface Hardness	7H
Surface Treatment	Anti-glare (chemical etching)

Operation / Mechanical	
Operating Temperature (°C)	-10 ~ +60
Humidity Range (RH)	10% - 90%
Net weight (kg)	0.95
Gross weight (kg)	2.00 (incl. cartonage)
Housing material	Rubber front, Plastic ABS back case
Housing (mm) L × W × H	201.0 × 160.5 × 35.7
Cut-out for clamp supports (mm) L × H	N/A
Amount of clamps required	N/A
Mounting	VESA 75

Power	
Power Indicator	Green LED
Power Supply	100-240V ACDC active switching; 12V DC-Out
Working Power (V)	12
Power Consumption (W)	6
Stand-By Consumption (W)	<1

Included in the Delivery	
Power Supply (see Power section)	
Short Installation Manual	
Cables - VGA, USB Touch, Audio Cable	



Tolerance: ± 0.5mm