

FT24BI5CAPOB

v1: GL: 3030515172 | EU: 1010502670



Pictures show sample configurations, real product may vary.

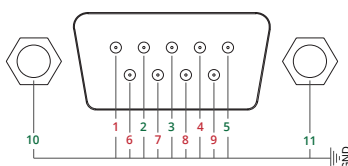
DISPLAY

| | |
|---------------------|-----------------|
| Display Size [inch] | 23.8 |
| Aspect Ratio | 16 : 9 |
| Resolution | 1920 × 1080 |
| Active Area [mm] | 527.04 × 296.46 |
| Brightness [cd/m²] | 500 |
| Contrast Ratio | 3000 : 1 |
| LED life time [h] | 30000 |
| Viewing Angle [°] | 178 / 178 |
| Display Interface | LVDS |

PC/MONITOR SYSTEM

| | |
|--|--|
| Processor | Intel® Core™ i5-1145G7E (Tiger Lake U) |
| Standard Operating System | Debian 12 * |
| OS Available on Request (additional fee) | Linux Ubuntu 22.4, Windows 10 & 11 |
| RAM Size | 8 GB DDR4 |
| SSD Size | 240 GB |
| Loudspeaker | 2× 2W |
| Wifi | Intel® AC 3168 |
| HDMI | 1 |
| DP | 1 |
| Audio In / Out | 1 (Realtek® ALC897 Audio CODEC) |
| USB 2.0 | 2 |
| USB 3.0 | 2 |
| Ethernet Network (10/100/1000 Mbit/s) | 2 (1 PoE, Realtek® 8111H) |
| Serial Port RS232 (RX / TX only) | 2 |
| SD Card Slot | 1 |
| SIM Card Slot | 1 |

SERIAL (RS232) PIN DEFINITION



| | |
|----|------|
| 2 | RXD1 |
| 3 | TXD1 |
| 5 | GND |
| 10 | GND |
| 11 | GND |

TOUCH PANEL

| | |
|-------------------------------|---|
| Touch Type | Projected Capacitive 10-point Multi-touch |
| Printing Type | Organic |
| Glass Thickness [mm] | 1.1 |
| Cover Glass Surface Treatment | AG (chemical etching) |
| IK Protection | IK08 |
| Printing Color | RAL9004 (Black) |
| Strengthening | Thermally Strengthened |
| Touch Controller | EXC81W84 |
| Touch Interface | USB |
| Touch Resolution RX | 68 |
| Touch Resolution TX | 38 |
| Optical Bonding | Clear Bond® |

ENVIRONMENTAL CONDITIONS

| | |
|-----------------------|---------------|
| Operation Temperature | -10°C to 60°C |
| Storage Temperature | -20°C to 60°C |
| Humidity Range | 10% to 90% |

CERTIFICATIONS

| | |
|-----------------|-----|
| CE Certificate | Yes |
| FCC Certificate | Yes |

CHASSIS

| | |
|---|------------------------|
| Case Design | Rubber Frame Sealing |
| Case Size | Large |
| IP Protection | IP65 Front / IP40 Back |
| Case Color | RAL9004 (Black) |
| Case Coating | Powder Coating |
| Case Material | Aluminum |
| Case size L × W × H [mm] | 579.4 × 347.0 × 51.5 |
| Cut-out for clamp supports L × H [mm] | 555.4 × 323.0 |
| Max. wall thickness for clamp supports [mm] | 5.0 |
| Amount of clamps required | 7 |
| Mounting | VESA 100 × 100 |

* Pyramid Computer GmbH is not affiliated with Debian. Debian is a registered trademark owned by Software in the Public Interest, Inc.

ACCESSORIES

| | |
|--------------------------|--|
| Power Adapter | 100-240V ACDC active switching; 12V DC-Out |
| Wifi Antenna | RP-SMA female |
| Short Instruction manual | Yes |

INTENDED USE/APPLICATION

The device is to be used as (touchscreen) display for indoor use as control panel, digital signage, way-finding, POS and similar applications.

Direct sunlight might increase the device temperature beyond the allowed storage and operation conditions. Therefore the devices must be protected against direct sunlight. Devices operated or stored outside the specified temperature ranges are not covered by warranty.

POWER

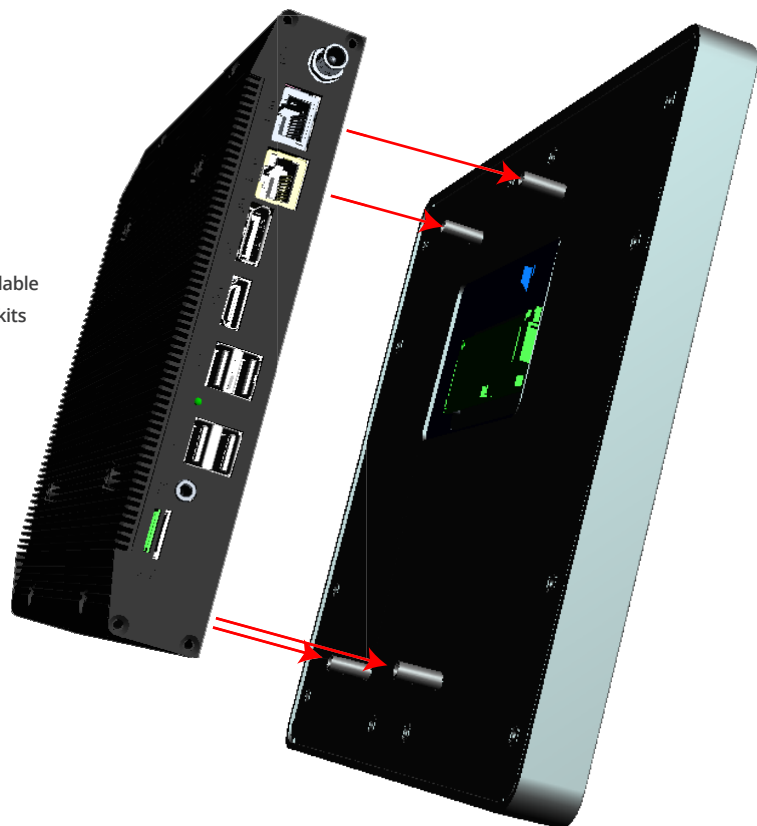
| | |
|----------------------|-----------|
| Power Indicator | Green LED |
| Working Power | 9-36V |
| Power Consumption | 37.3W |
| Stand-By Consumption | <1W |

WEIGHT & PACKAGING

| | |
|-------------------------------|---|
| Net Weight | ~6.30 kg est. |
| Gross Weight | ~9.50 kg est. (incl. Cartonage) |
| Packaging Material | 100% recyclable cardboard and polyethylene (PE) |
| Packaging Size L x W x H [mm] | 735.0 x 425.0 x 80.0 |

Front kit & Back kit concept:

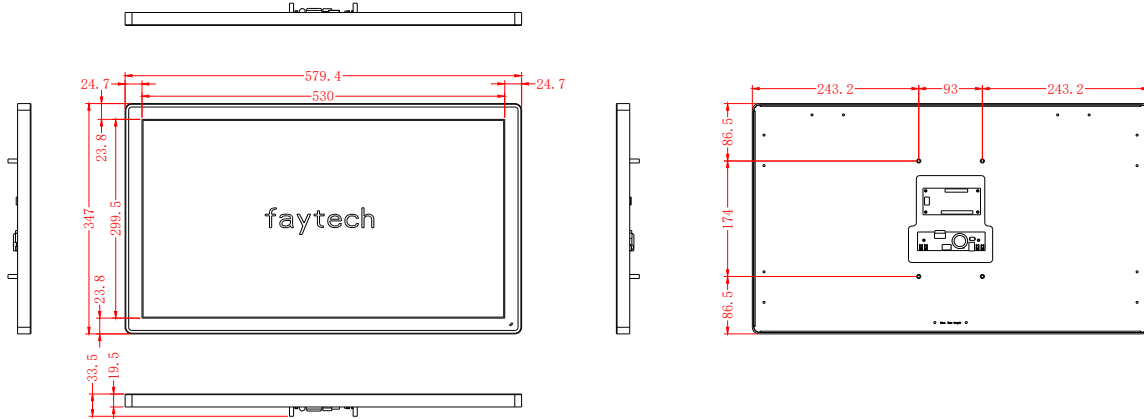
- Pre-assembled or separately packaged available
- Easily replace or switch back kits and front-kits
- Connected through various connectors
- Assembly to be done by a professional



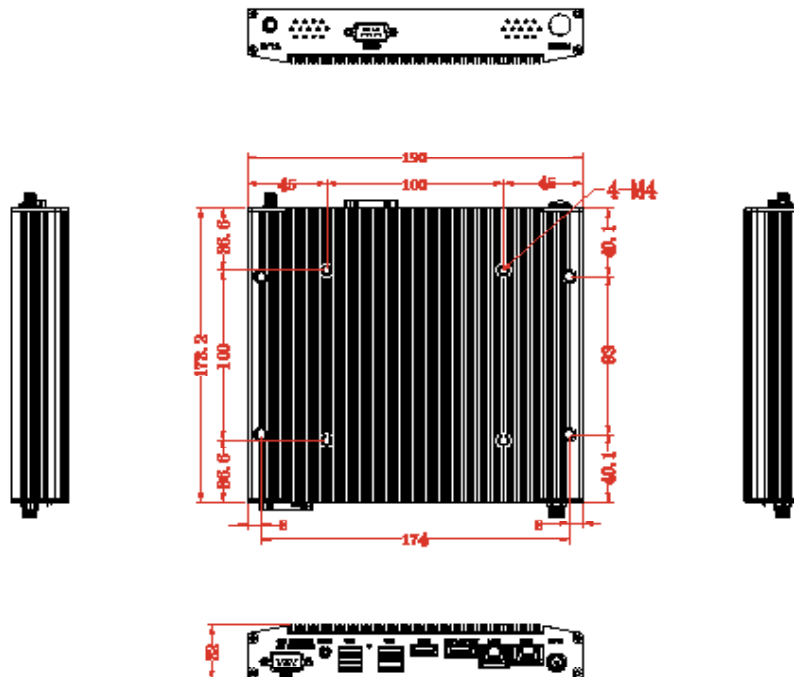
DIMENSIONS

Pictures show sample configurations, real product may vary.

24" RUBBER FRAME FRONT KIT



LARGE IPC BACK KIT (I5-1145G7E)



UPDATE NOTES:

| | |
|----------|---------------|
| Version: | Changes: |
| v1 | First version |