

# NORVI CEMA

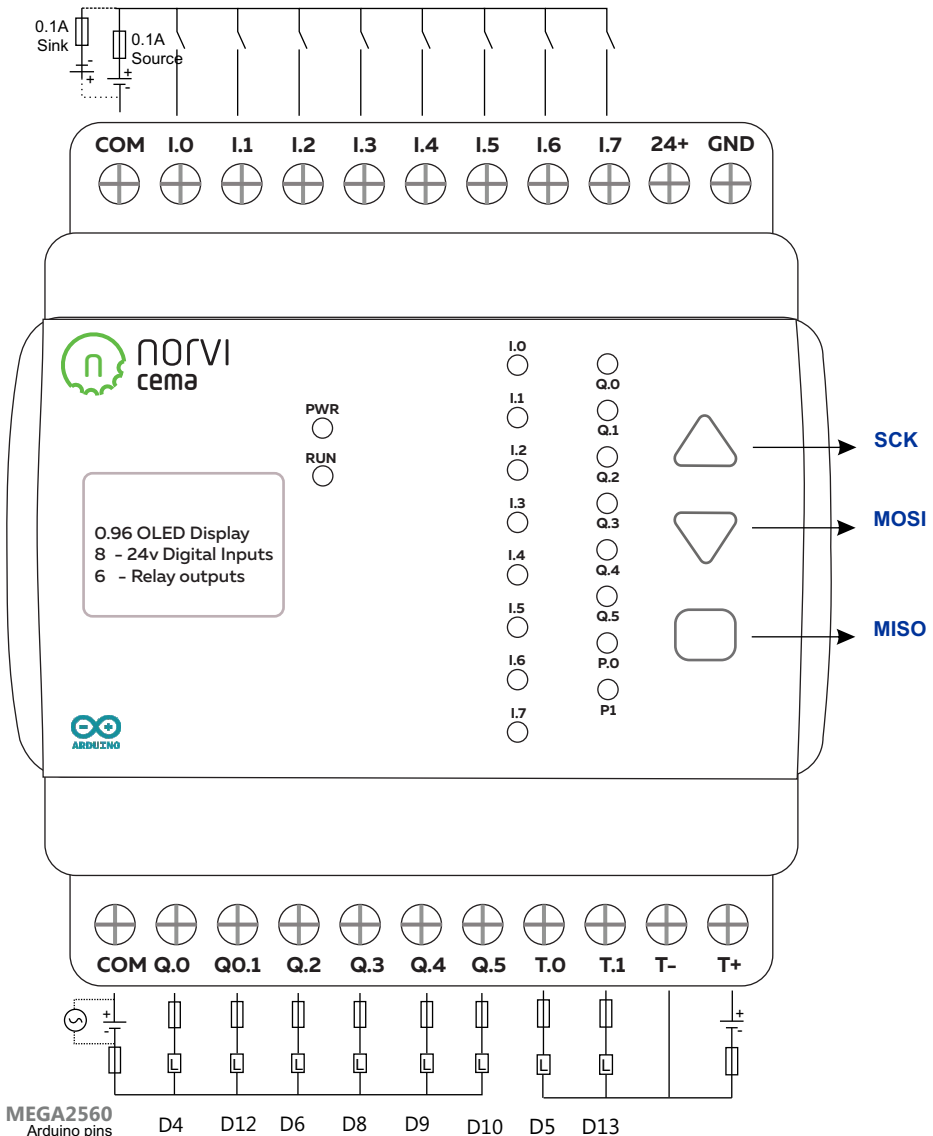
## Arduino Genuino micro

# Quick Guide

## Connections and Programming

24V DC Sink/Source      Internal Pull-up

Genuino Arduino pins      D11   D7   A5   A4   A3   A2   A1   A0



Supply Voltage      24V DC  
Relay Max. current      5A max  
Transistor Max. current      500mA  
Digital input voltage      24V Sink/Source

Micro-controller  
Chip      ATMEGA32-U4  
Clock      16 Mhz  
Bootloader      Arduino Genuino

OLED Display 0.96'  
Interface      I2C 0x3C (Address)  
Controller      SSD1306

