

MP1-11TGS-D

Fanless Embedded System
with Intel® Tiger Lake-UP3 Processor (up to 4.4GHz)

Introduction

- Intel® Tiger Lake-UP3 Core i7/i5/i3/Celeron ULV processors
- Outstanding graphic computing capability with Integrated Intel® Iris Xe graphics
- Intel® vPro technology support
- 1 x DDR4 SO-DIMM and support up to 32GB
- Support Quadruple display for HDMI, and DisplayPort
- 2 x Hot Swappable SSD/HDD slot
- Intel® 1G + 2.5G LAN Ports (Option: additional 2 x LAN)
- 2 x USB 2.0, 4 x USB 3.1 Gen2 and 4 x COM



intel
CORE
i3

intel
CORE
i5

intel
CORE
i7

intel
CELERON

intel
IRIS^{Xe}
GRAPHICS

intel
Tiger Lake

Fanless Design

Quadruple displays

LAN
2.5G

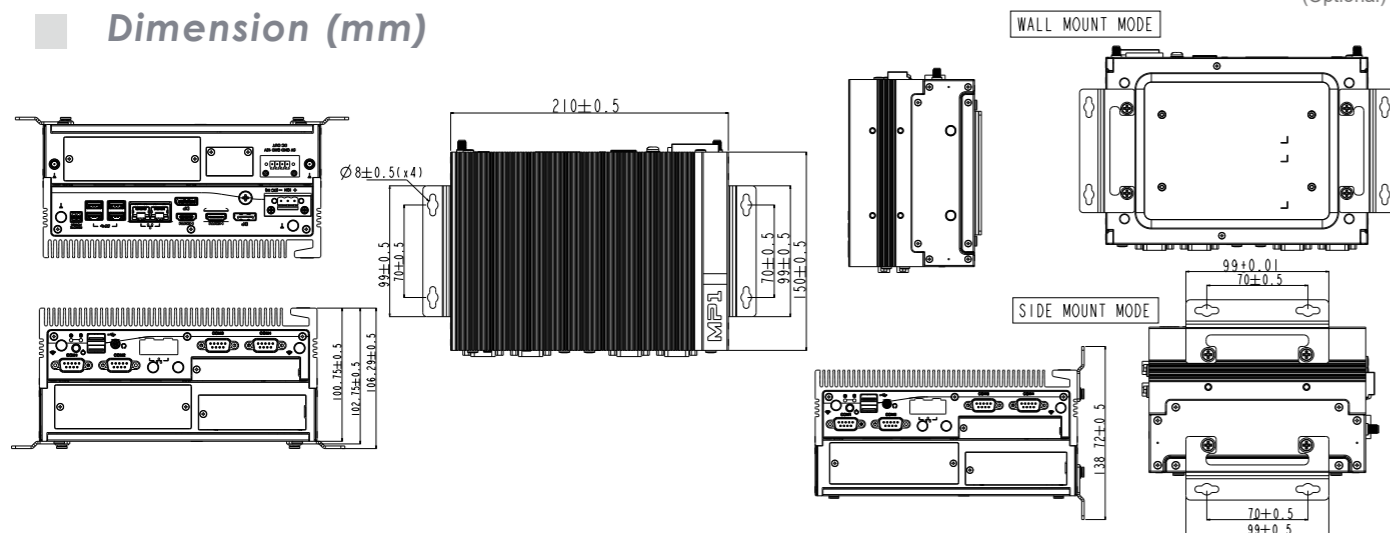
COM x4

12V-36V
DC-in
Wide Range
DC-in

I/O Interface



Dimension (mm)



MP1-11TGS-D Fanless Embedded System

SYSTEM	
CPU	11st Gen Tiger Lake-UP3 Intel® Core™ i ULV Processor i3-1115G4E (Dual Core, 6MB Cache, up to 3.90 GHz) / option: 11st Gen Tiger Lake-UP3 Celeron 6305E / i5-1145G7E / i7-1185G7E
Chipset	Intel® SoC Integrated
System Memory	DDR4 3200MHz, 1 x 260-pin SO-DIMM, Max. 32GB (Non-ECC)
Graphics	Intel® Iris Xe Graphics
Display Interface	DisplayPort 1.4, HDMI 2.0b
Storage Slot	2 x Hot Swappable 2.5 HDD / SSD 1 x M.2 B Key 2280 / 2260 / 2242 Slot
Ethernet	Intel® I219-LM Giga LAN + Intel® I225-LM 2.5G LAN Additional 2 x Intel® I210-IT Giga LAN for Options
Audio	Realtek® ALC256
I/O Chipset	Nuvoton NCT6126D
TPM	Nuvoton NPCT750AABYX TPM2.0
Expansion Slot	Storage/LTE/5G Slot: M.2 2242/2260/2280/3042/3052 B Key (USB2.0/*PCIeX1/SATAIII) Wireless: M.2 2230 E key (PCIe X1 / USB2.0) *Not support M.2 M Key NVMe SSD Mini PCIe slot (Full size, USB2.0/ PCIe X1/SATAIII) 2 x Expansion slot (PoE/LAN/COM/DIO/IGN/CANBus Options)
Indicator	Power LED, HDD LED 2 x Hot Swappable 2.5" SSD/HDD slot 3 x RS232 1 x RS232/422/485
Front I/O	2 x USB 2.0 2 x SMA Antenna (Optional for WiFi/LTE function) 1 x Audio Combo Jack (Mic-in & Line-out)
Rear I/O	2 x DisplayPort 1.4 2 x HDMI 2.0b 2 x RJ-45 4 x USB 3.1 Gen2 1 x 3-pin Terminal Block Power Input 1 x 4-pin Terminal Block Power Output (12V/5V) 4 x SMA Antenna (Optional for LTE function) 1 x 2-pin Terminal Block Remote Power on / off
H/W Monitor	Temperature Monitor, Voltage Monitor
Watchdog Timer	1~255 Steps by Software Program
POWER REQUIREMENT	
Power Input	12~36V Wide Range DC Input w/ 3-pin Terminal Block Connectivity
Power Adapter	AC / DC / DC24V / 5A / 120W adapter in AC SKUs
MECHANICAL	
Thermal Design	Fanless
Mounting	Wallmount / Side Mount / 75 mm x 75 mm VESA Holes & Din Rail Mount Combo Kit (Optional)
Dimensions (W X D X H)	8.3" x 5.9" x 4" (210 x 150 x 103 mm)
Material	Top cover: Aluminum Alloy, Bezel and chassis: Steel
ENVIRONMENTAL	
Operating Temperature	15W TDP: -40 ~ 70°C with 0.7m/s Air Flow (w/ Extended Temp. SSD/mSATA/RAM) 28W TDP: -40 ~ 60°C with 0.7m/s Air Flow (w/ Extended Temp. SSD/mSATA/RAM)
Storage Temperature	-40~85°C (-40 ~185°F)
Operating Humidity	10%~95% (Non-condensing)
Vibration Resistance	5Hz~500Hz / 5Grms / 3Axis (w/ SSD, according to IEC60068-2-64)
Shock Resistance	Operating: 50 Grms, Half-sine 11 ms Duration (w/ SSD, according to IEC60068-2-64)
Certification	CE & FCC Class A
OS	
OS Support	Windows® 10 64bit, Linux (support by request)

Ordering Information

Model Number	Processor	AC Adaptor	Model Number	Processor	AC Adaptor
MP1-11TGS-D-6305E	Celeron 6305E	None	MP1-11TGS-D-1145G7E	i5-1145G7E	None
MP1-11TGS-D-6305E-AC	Celeron 6305E	120W AC to DC Adaptor	MP1-11TGS-D-1145G7E-AC	i5-1145G7E	120W AC to DC Adaptor
MP1-11TGS-D-1115G4E	i3-1115G4E	None	MP1-11TGS-D-1185G7E	i7-1185G7E	None
MP1-11TGS-D-1115G4E-AC	i3-1115G4E	120W AC to DC Adaptor	MP1-11TGS-D-1185G7E-AC	i7-1185G7E	120W AC to DC Adaptor

*5G card support is by BOM option. Please check with sales about the M.2 B Key 3052 5G card spec if you have any request

Packing List

Packing		
• 1 x Wall Mount Brackets (2PCS in 1 set)	• 1 x Quick Installation Guide	• 1 x Embedded System
• 1 x US + EU Power Cord (AC sku)	• 1 x Power Adapter (AC sku)	