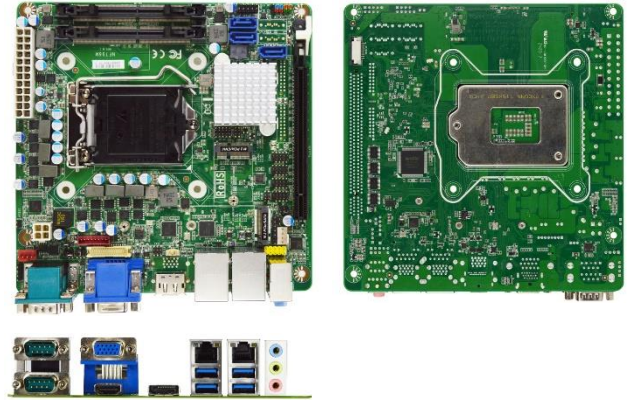


JNF796M-H310

Mini-ITX Embedded Motherboard, 8th/9th Generation Intel® Core™ i7/ i5 /i3, Pentium® LGA1151 Socket Processor, Max. 65W TDP

1. Intel® 8th/9th LGA1151 Socket Processor (Max. 65W TDP)
2. 2 * DDR4 2400/2666MHz SO-DIMM up to 64GB
3. 2 * 10/100/1000 Base-TX Ethernet Ports
4. 1 * HDMI, 1 * DP, 1 * VGA, 1 * 24-bits Dual CH LVDS
5. 6 * COM (COM1/2 support RS232/422/485), 4 * USB3.1 Gen.1, 2 * USB2.0
6. 1 * PCIe x16 slot, 1 * M.2 M-key 2242/2280 (SATA/PCIex4) support NVMe, 1* M.2 E-key 2230 (PCIex1/USB2.0) support CNVi
7. 3 * SATA III (6Gb/s)
8. Support onboard TPM 2.0 (option)



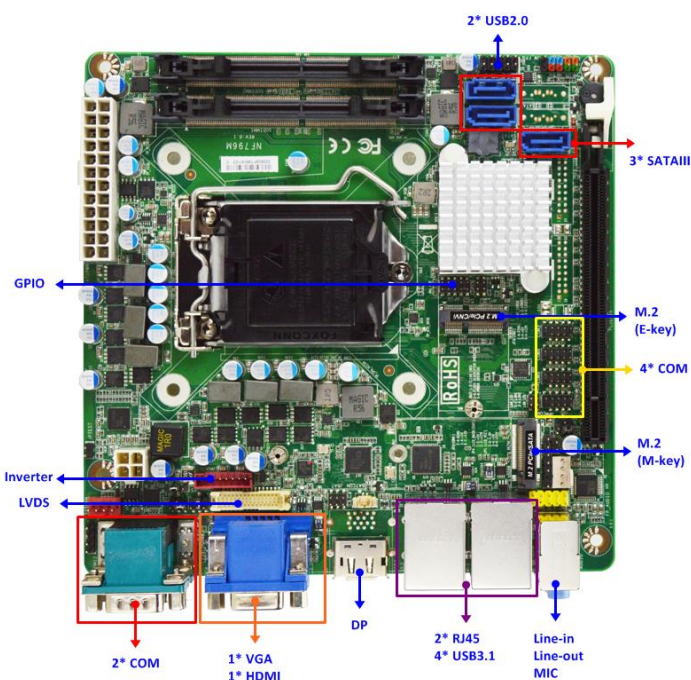
Overview

The JETWAY JNF796M-H310 is Mini-ITX form factor board adopts the Intel® 8th/9th generation Core i7/i5/i3, Pentium and Celeron Processor. The board supports two SO-DIMM DDR4 2400/2666MHz memory, up to 64GB. Featuring the integrated Intel® Gigabit Ethernet controller, the JNF796M-H310 offers two 10/100/1000Base-TX Ethernet devices for network transmission. Three SATAIII (6Gb/s) interface and one M.2 M-key 2242/2280 (SATA/PCIex4) support NVMe offer storage devices. One M.2 E-key 2230 (PCIex1/USB2.0) support CNVi, four USB3.1 Gen.1 ports, two USB2.0 ports and six COM port provide versatile expansion. The PCIe16 slot can support Jetway riser card for different expansion. The JNF796M-H310 offers one HDMI1.4 port, one DP1.4 port, one VGA port and one 24-bits Dual CH LVDS which can support 2 independent displays. Because of the above features, JNF796M-H310 is suitable for Digital Signage, Industrial PCs, Factory Automation, Public Sector, Digital Security and Surveillance applications.

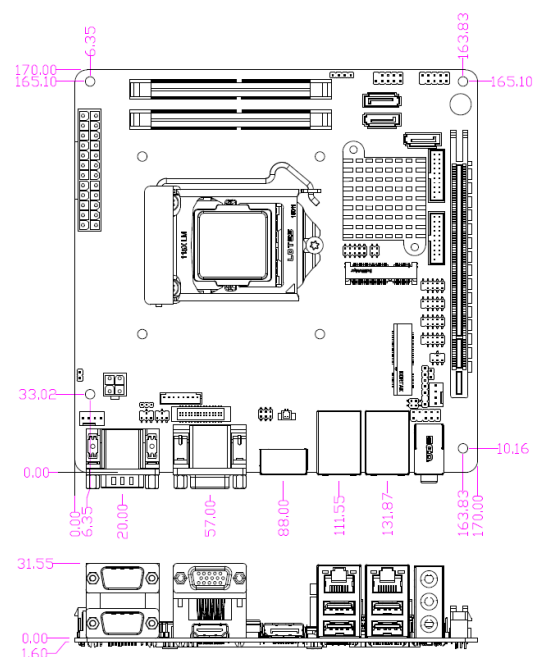
Application

Digital Signage / Industrial PCs / Factory Automation / Public Sector / Digital Security / Surveillance

I/O Diagram



Mechanical Drawings (Unit = mm)



Specifications

Model	JNF796M-H310	Form Factor	Mini-ITX (6.7-in * 6.7-in, 170 * 170mm)
Processor System	<ul style="list-style-type: none">Intel® 8th/9th LGA 1151 Socket Core i7/i5/i3/Pentium/Celeron Processor (Max. 65W TDP)Intel H310 Express chipsetAMI 128Mb Flash ROM BIOS	Expansion Slot	<ul style="list-style-type: none">1* M.2 E-key 2230 (PCIex1/USB2.0) support CNVi1* PCIex16 slot
Memory	2* Dual CH DDR4 2400/2666MHz SDRAM SO-DIMM up to 64GB	Graphics	<ul style="list-style-type: none">Intel® HD Graphics, shared memory1* VGA (Max Resolution: 1920x1200@60Hz)1* LVDS (Max Resolution: 1920x1200@60Hz)1* HDMI 1.4 (Max Resolution: 4096x2160@30Hz)1* DP (Max Resolution: 4096x2304@60Hz)Support Dual Displays
Ethernet	1 * Intel i219LM & 1 * Intel i211AT GbE	Audio	6 channel HD audio: Realtek ALC662VD
Storage	<ul style="list-style-type: none">3* SATAIII1* M.2 M-key 2242/2280 (SATA/PCIex4) support NVMe	Rear I/O	<ul style="list-style-type: none">1* VGA1* HDMI1* DP2* RJ45 Ethernet4* USB 3.1 (Gen. 1)Line-in, Line-out, MIC2* COM (COM 1/2 support RS232/422/485)
Internal Connector	<ul style="list-style-type: none">2* USB 2.01* PS/21* LVDS / Inverter4* COM3* SATAIII1* M.2 E-key 2230 (PCIex1/USB2.0) support CNVi1* M.2 M-key 2242/2280 (SATA/PCIex4) support NVMe1* GPIO (8 bit)1* Chassis intrusion1* Audio Header1* SMBUS1* AT modeSupport onboard TPM2.0 (option)	Watchdog Timer	<ul style="list-style-type: none">From Super I/O to drag RESETCON#256 segments (10sec ~ 255min)
Power	ATX PWR (4+24 pin), AT/ATX Supported - AT: Directly PWR on as Power input ready - ATX: Press Button to PWR on after Power input ready	Compliance	CE, FCC, LVD, RoHS, REACH
Temperature	<ul style="list-style-type: none">Operating: 0°C ~ 60°CStorage: -20°C ~ 85°CHumidity: 10% ~ 90% RH @40°C (non-condensing)	OS Support	Windows 10
Warranty	2 Years Limited Warranty		

* Specifications subject to change without notice, not responsible for typographical errors. Does not include HDD or OS.

Accessories

Parts Number	Description	Parts Number	Description
-----	JNF796M-H310 M/B	G01-COM-H2M20-1F	COM cable
F04-MB-073-F	JNF796 I/O shield	G01-SATA3-BL-1F	SATAIII cable