



# HPC-170BR-2930-4G

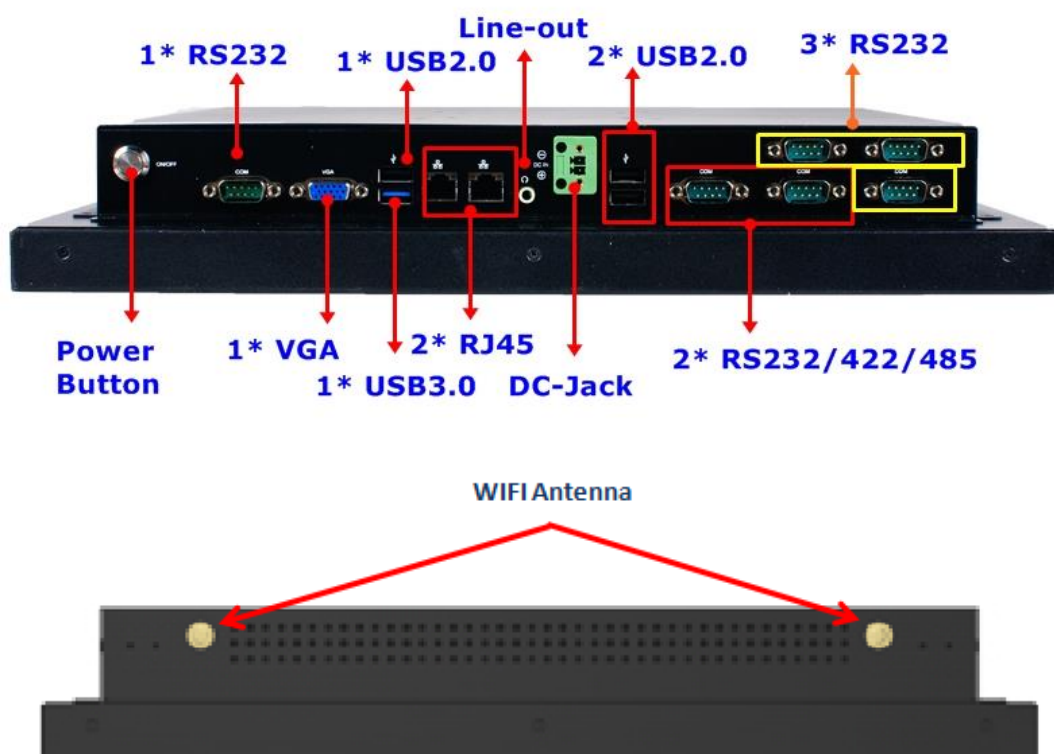
17.0" TFT Fan less Touch Panel Computer with Intel® Bay Trail-M N2930 1.83GHz Quad Cores Processor



1. 17.0" 350 nits high brightness TFT LCD with LED backlight
2. 5 wires analog resistive type Touch
3. Onboard Intel® Bay Trail-M N2930 1.83GHz Quad Cores CPU
4. Onboard SAMSUNG 4G/1333MHz DDR3L Memory
5. Support Dual Intel® Gigabit LAN
6. Support 6 \* COM ports (COM2/COM3 Support RS422/485)
7. Support 2.5" SATA HDD
8. 1 \* M-SATA Socket
9. 1 \* Mini PCI-E Socket
10. Support 4G SIM Card
11. Support wide voltage input 9~24V
12. IP65-rated front bezel



## External I/O



## Specifications

### Display

Front Bezel	- IP65, NEMA 4 rugged protection, metal front bezel
Display Type	- 17.0" With LED Backlight
Brightness (cd/m <sup>2</sup> )	- 350 nits
Display Color	- 16.7M
Resolution	- 1280 x1024 @ 60Hz
Viewing Angle (H/V)	- 170°/160°
Pixel Pitch	- 0.264 x 0.264 mm
Aspect Ratio	- 4:3
Contrast Ratio	- 1000:1
Response Time	- 3.5 ms
Operating Temperature	-0 ~50°C

### Touch screen

Type	- 5 wires analog resistive type
Active Range	- 337.00 x 269.50mm ±0.2mm
Transparency	- 80 ±3%
Surface Hardness	- ≧ 3H (ASTM D3363, pressure 750g/45°)
Operating Force	- ≦ 80g
Knock test	- 10,000,000 times keystrokes
Operating Temperature	--10 ~ 60°C

### Main System

CPU	- Intel® Bay Trail-M N2930 1.83GHz/QC
RAM	- 4G 1333MHz DDR3L SAMSUNG DRAM
BIOS	- 64MB SPI Flash ROM
Storage	- 1 * 2.5" SATA HDD (SATA2) - 1 * M-SATA connector
Watchdog Timer	- 255 levels, 0~255 sec.
OS Support	- Windows 7 / 8.1 / 10 / Linux (Option)

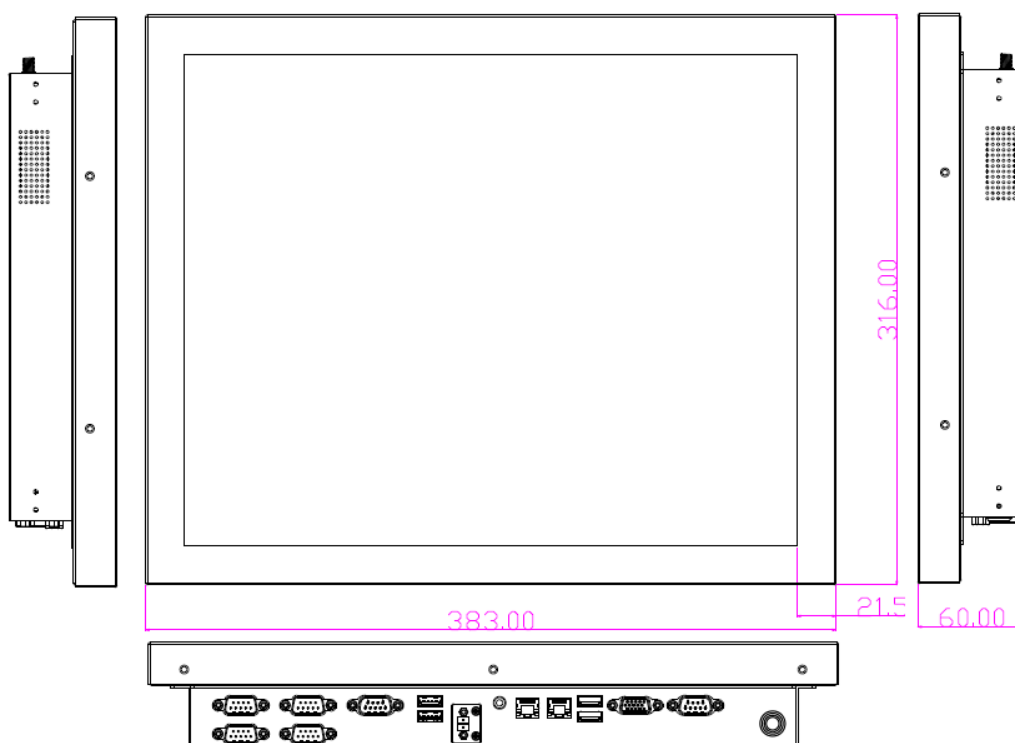
### I/O Connector

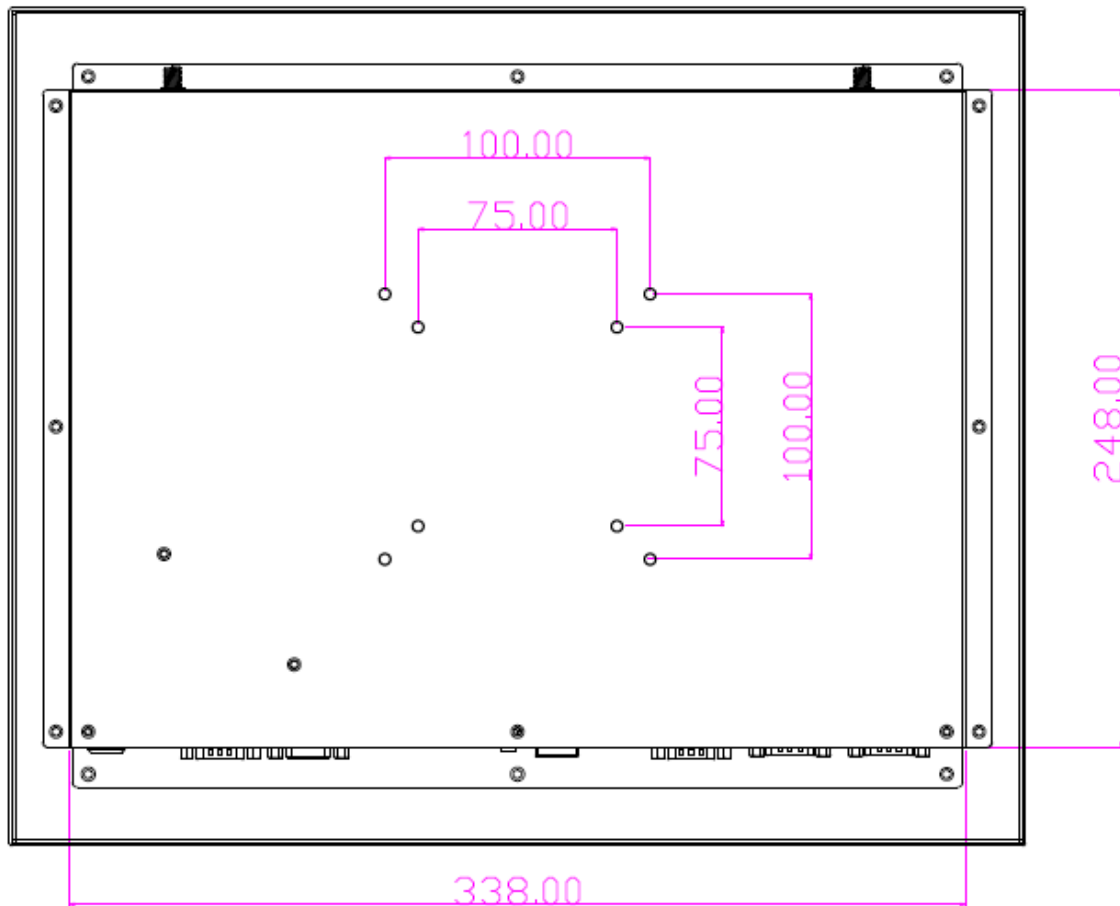
I/O Ports and Switches	- 1 * USB3.0 - 3 * USB2.0 - 4 * RS232 - 2 * RS232/422/485 - 1 * CRT - 2 * LAN (Intel® I211AT Gigabit LAN) - 1 * Line-out (2-CH 3W Speaker) - 1 * Euro terminal block 9~24V DC input
------------------------	----------------------------------------------------------------------------------------------------------------------------------------------------------------------------------------------------------

<b>Expansion Interface</b>	
Expansion	- 1 * PCI-E mini card for WIFI or 4G
<b>Power</b>	
Power Input	- AC version: 100~240V AC-DC 60W power adapter or - DC version: 9~24VDC with over current protection fuse
Power Consumption	- 34.5W
<b>Dimensions</b>	
Case Dimensions	- 383.0mm*316.0mm*60.0mm
Packing Dimensions	- Net Weight: KG - Gross Weight: KG - Color Box dimension: 492 (W) * 302 (D) *484 (H) mm
<b>Certifications</b>	
Certifications	- CE, FCC, IP65
<b>Environment</b>	
Temperature	- Operating: -0°C ~ 50°C (with W.T. DRAM/HDD in airflow condition)
	- Operating: -0°C ~ 50°C (with W.T. DRAM/HDD)
	- Storage: -20°C ~ 65°C
Shock	- Operating: 15G , 11ms duration
Vibration	- Operating: 5~500Hz/1 Grms
<b>Warranty</b>	
Warranty	- 2 Years Limited Warranty (Panel is only Warranty 1Year)

\*Specifications subject to change without notice, not responsible for typographical errors. Does not include HDD or OS.

## Mechanical Drawings (Unit = mm)





## Accessories

Part Number	Description
-----	HPC170BR-2930-4G
Change according to shipping area	Power cord
L01AS053-F	Adapter 12V/5A 60W
J05-ANT-GX55240-F	L-Antenna