



# HPC-101 Series

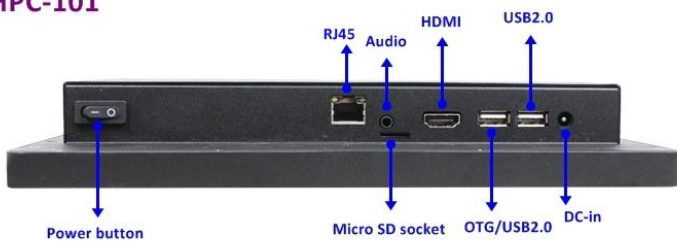
10.1" TFT Fanless Panel Computer with Rockchip® ARM Cortex RK3288 1.8GHz Quad Cores Processor

- 1. 10.1" 350 nits TFT LCD with LED backlight
- 2. Onboard 1333/2GB DDR3L DRAM
- 3. Onboard 8G Flash ROM
- 4. Support Android 5.1/9.0 or Debian 9.0
- 5. Front IP65 for protection against water and dust
- 6. HPC-101: 12V DC-in
- 7. HPC-P101: Support PoE input

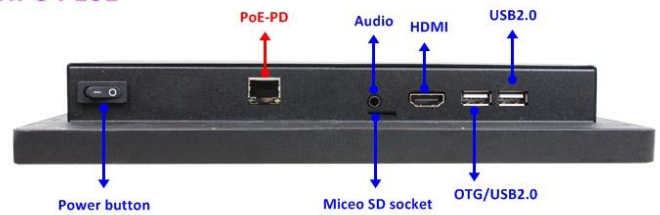


## I/O Diagram

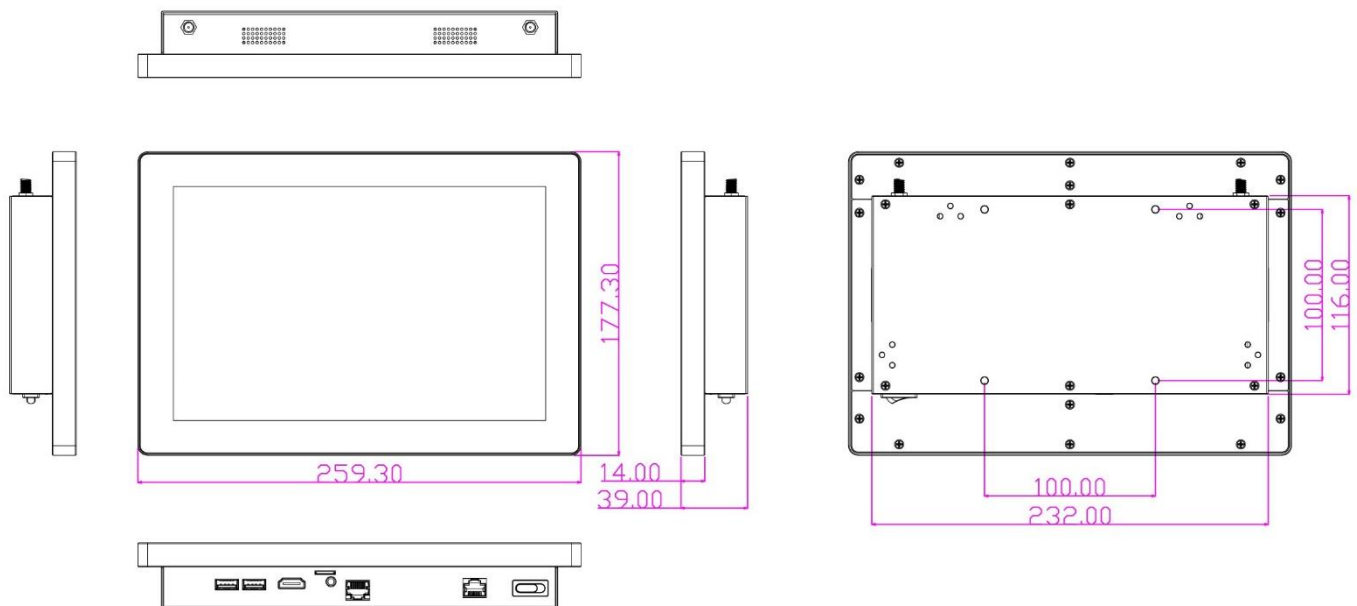
### HPC-101



### HPC-P101



## Mechanical Drawings (Unit = mm)



## Specifications

### Display

- IP65, NEMA 4 rugged protection, metal front bezel
- 10.1" With LED Backlight
- 350 nits Brightness (cd/m<sup>2</sup>)
- 262K display color
- 1280 x 800 @ 60Hz resolution
- 160°/160° viewing angle (H/V)
- 0.1695 x 0.1695mm pixel pitch
- 16:10 aspect ratio
- 600:1 contrast ratio
- 25ms response time

### Case

- Aluminum panel
- Iron case
- Black color
- Spray paint coating requirement

### Expansion

- 1\* Micro SD socket

### I/O Connector

- 2\* USB2.0 (USB1 Co-lay OTG)
- 1\* HDMI 1.4
- 1\* AUDIO(Line-out +MIC)
- 1\* Micro SD Socket
- 1\* Power Button
- HPC-101: 1\* RJ45, 1\* DC jack
- HPC-P101: 1\* PoE PD

### Power Consumption

- 8.5W

### Compliance

CE, FCC, IP65(Front)-Option

### Temperature

- Operating: -10°C ~ 50°C
- Storage: -20°C ~ 60°C

### Touch Screen

- Projected capacitive type
- 257.10 x 159.66mm ±0.2mm active range
- Transparency ≥ 87%
- Operating force ≤ 80g
- Surface Hardness ≥ 6H (ASTM D3363, pressure 1N/45°)

### Main System

- Rockchip® ARM Cortex A17 1.8GHz/QC processor
- Onboard 1333/2GB DDR3L DRAM
- Onboard 8G Flash ROM
- Watchdog Timer 256 levels, 0~255 sec.
- Speaker: 2\* 2W/8Ohm
- Camera: 1\* 500W USB (Option)
- OS Support Android 5.1/9.0 or Debian 9.0

### PoE (HPC-P101)

- Regulatory Compliance: IEEE802.3af (PoE)
- Input Power: 44 ~ 57V input
- Pass Through Data Rates: 10/100/1000 Mbps

### Power Input

- HPC-101: 12V DC-in
- HPC-P101: 44 ~ 57V input

### Dimensions

259.3 \* 177.3 \* 39.0mm

### Safety

- Shock: 15G, 11ms duration
- Vibration: 5~500Hz/1 Grms

### Warranty

2 Years Limited Warranty (Panel and Touch are only 1 Year Warranty)

\* Specifications subject to change without notice, not responsible for typographical errors. Does not include HDD or OS.

## Accessories

Parts Number	Description	Parts Number	Description
-----	HPC-101 /HPC-P101		40W AC-DC Adapter (for HPC-101)
Change according to shipping area	Power cord (for HPC-101)		WIFI Antenna