



HBJC390F541S Series

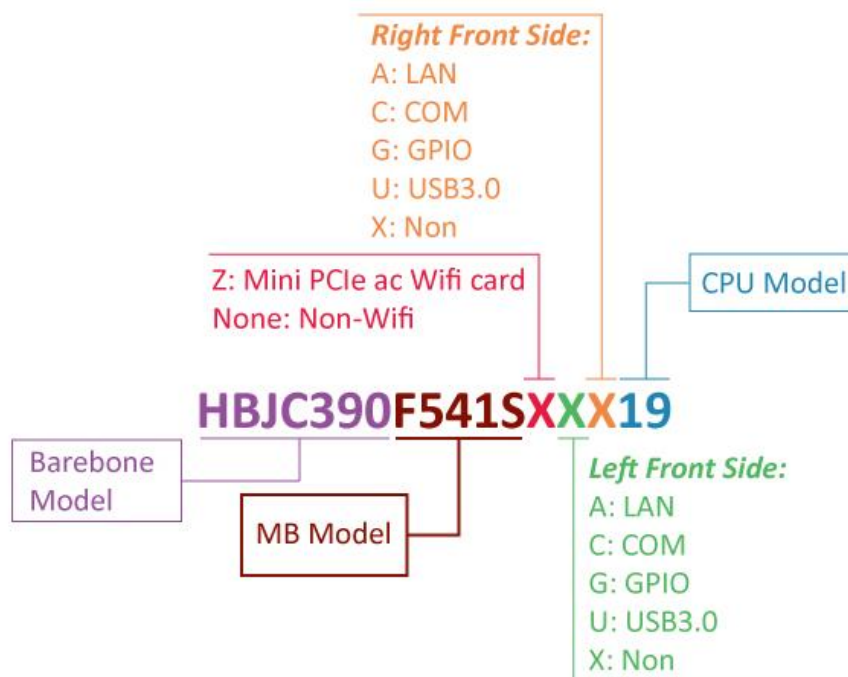
Intel® Bay Trail SoC Processor, DDR3L 1333MHz up to 8GB



1. Intel® Bay Trail SoC Processor
2. 1 * SO-DIMM DDR3L 1333MHz up to 8GB
3. 3 * USB2.0, 1 * USB3.0, 1 * COM, 1 * VGA, 1 * HDMI, 2 * RJ45, 1 * MIC, 1 * Line out, 1 * DC-in
4. Product Dimension: 185 x 165 x 48 mm
5. DC-12V_60W Lockable Adapter



Part Number Rule

















Specifications

MB Model	JNF541S-1900		
Part No.	No Expansion	4 LAN	4 COM
		HBJC390F541SXA19B	HBJC390F541SCX19B
	HBJC390F541SXX19B (Default)	8 LAN	8 COM
		HBJC390F541SAA19B	HBJC390F541SCC19B
	16-bits GPIO	32-bits GPIO	4 USB3.0
	HBJC390F541SXG19B	HBJC390F541SGG19B	HBJC390F541SXU19B
	4 COM + 4 LAN	4 COM + 4 USB3.0	4 LAN + 4 USB3.0
	HBJC390F541SCA19B	HBJC390F541SCU19B	HBJC390F541SAU19B
	4 COM + 16-bits GPIO	4 LAN + 16-bits GPIO	16-bits GPIO + 4 USB3.0
	HBJC390F541SCG19B	HBJC390F541SAG19B	HBJC390F541SGU19B
	No Expansion - Wifi	4 LAN - Wifi	4 COM - Wifi
		HBJC390F541SZXA19B	HBJC390F541SZCX19B
	HBJC390F541SZXX19B	8 LAN – Wifi	8 COM – Wifi
		HBJC390F541SZAA19B	HBJC390F541SZCC19B
	16-bits GPIO - Wifi	32-bits GPIO - Wifi	4 USB3.0 - Wifi
	HBJC390F541SZXG19B	HBJC390F541SZGG19B	HBJC390F541SZXU19B
	4 COM + 4 LAN - Wifi	4 COM + 4 USB3.0 - Wifi	4 LAN + 4 USB3.0 - Wifi
	HBJC390F541SZCA19B	HBJC390F541SZCU19B	HBJC390F541SZAU19B
	4 COM + 16-bits GPIO - Wifi	4 LAN + 16-bits GPIO - Wifi	16-bits GPIO + 4 USB3.0 - Wifi
	HBJC390F541SZCG19B	HBJC390F541SZAG19B	HBJC390F541SZGU19B
BIOS	AMI EFI Flash ROM		
CPU/Chipset	Intel® Bay Trail J1900 SoC Processor (Default)		
Memory	1 * SO-DIMM DDR3L-1066/1333MHz SO-DIMM up to 8GB		
Storage	<ul style="list-style-type: none"> ● 1 * 2.5" SATA drive bay (only support 2.5" HDD with a height ≤ 10mm) ● 1 * full-size mSATA/Mini-PCI Express shared slot 		
Network	<ul style="list-style-type: none"> ● 2 * Intel i211AT GbE ● 1 * SIM Card slot 		
Expansion	1* full-size Mini PCIe slot		
Rear Panel I/O	<ul style="list-style-type: none"> ● 1 * USB 3.0, 3 * USB 2.0 ● 1 * HDMI (Max. Resolution: 1920×1200@60Hz) ● 1 * VGA (Max. Resolution: 1920×1200@60Hz) ● 2 * RJ45 ● 1* Line-out, 1* MIC ● 1 * COM (Support RS232/422/485) ● 2 * Antenna holes (WiFi only) ● Lockable DC-in jack 		
Front Panel	<ul style="list-style-type: none"> ● 1 * Power button + LED 		

I/O	<ul style="list-style-type: none"> ● 1 * HDD LED ● COM (Expansion Module, support RS232/422/485) ● Intel Gigabit LAN (Expansion Module) ● USB3.0 (Expansion Module) ● 16-Bits GPIO (Expansion Module)
Power Source	<ul style="list-style-type: none"> ● DC 12V / 5A_60W Adapter ● AC 90~240V input
Compliance	CE, FCC, RoHS, ErP Ready
Temperature	<ul style="list-style-type: none"> ● Operating Temperature: 0 ~ 50°C ● Storage Temperature: -10 ~ 70°C
Dimensions	185 (W) x 165 (D) x 48 (H) mm
Packing	<ul style="list-style-type: none"> ● Net Weight: 2.4KG ● Gross Weight: 3.4KG ● Color Box dimension: 250 (W) * 118 (D) * 295 (H) mm
OS Support	Windows 7, Windows 8.1, Windows 10, Linux
Warranty	2 Years limited warranty
Applications	<ul style="list-style-type: none"> ● Industrial Control System ● Networking Server System

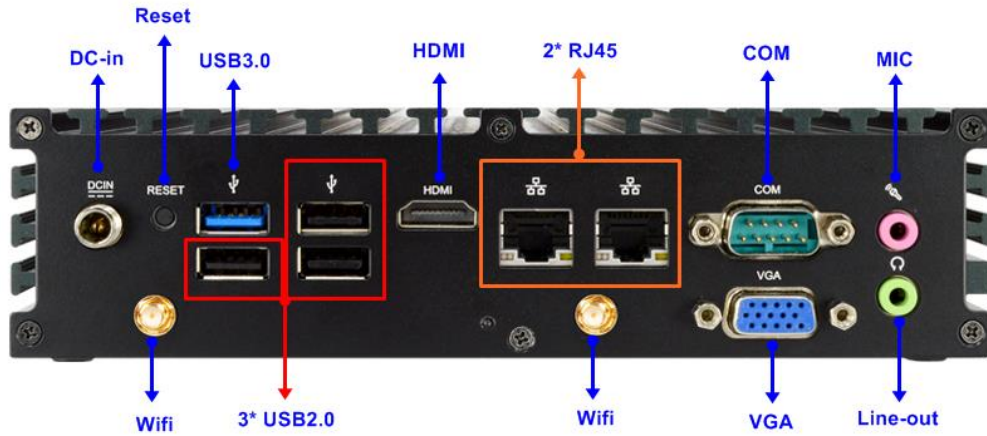
*Specifications subject to change without notice, not responsible for typographical errors. Does not include HDD or OS.

Model number	Front - IO
<ul style="list-style-type: none"> ● HBJC390F541SXX19B ● HBJC390F541SZXX19B 	
<ul style="list-style-type: none"> ● HBJC390F541SXA19B ● HBJC390F541SZXA19B 	
<ul style="list-style-type: none"> ● HBJC390F541SCX19B ● HBJC390F541SZCX19B 	
<ul style="list-style-type: none"> ● HBJC390F541SXU19B ● HBJC390F541SZU19B 	

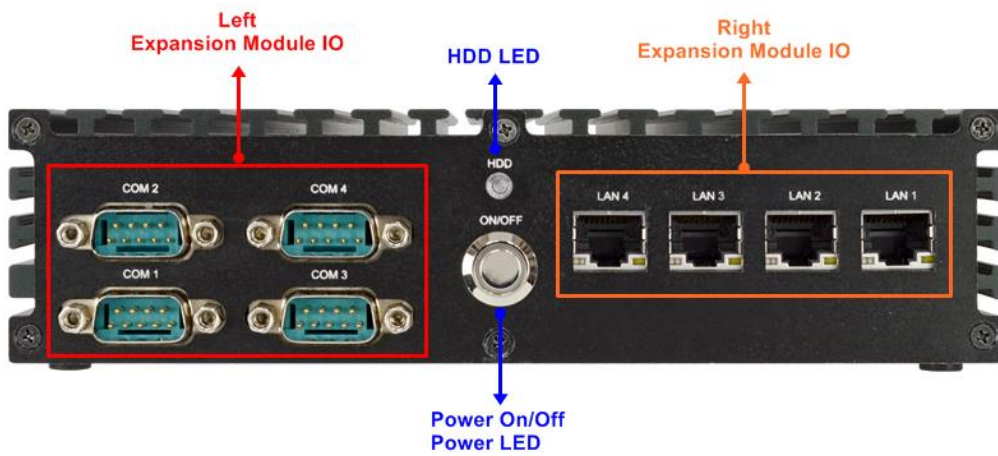
<ul style="list-style-type: none"> ● HBJC390F541SXG19B ● HBJC390F541SZXG19B 	
<ul style="list-style-type: none"> ● HBJC390F541SCA19B ● HBJC390F541SZCA19B 	
<ul style="list-style-type: none"> ● HBJC390F541SCU19B ● HBJC390F541SZCU19B 	
<ul style="list-style-type: none"> ● HBJC390F541SCG19B ● HBJC390F541SZCG19B 	
<ul style="list-style-type: none"> ● HBJC390F541SAA19B ● HBJC390F541SZAA19B 	
<ul style="list-style-type: none"> ● HBJC390F541SCC19B ● HBJC390F541SZCC19B 	
<ul style="list-style-type: none"> ● HBJC390F541SAU19B ● HBJC390F541SZAU19B 	
<ul style="list-style-type: none"> ● HBJC390F541SAG19B ● HBJC390F541SZAG19B 	
<ul style="list-style-type: none"> ● HBJC390F541SGG19B ● HBJC390F541SZGG19B 	
<ul style="list-style-type: none"> ● HBJC390F541SGU19B ● HBJC390F541SZGU19B 	

External I/O

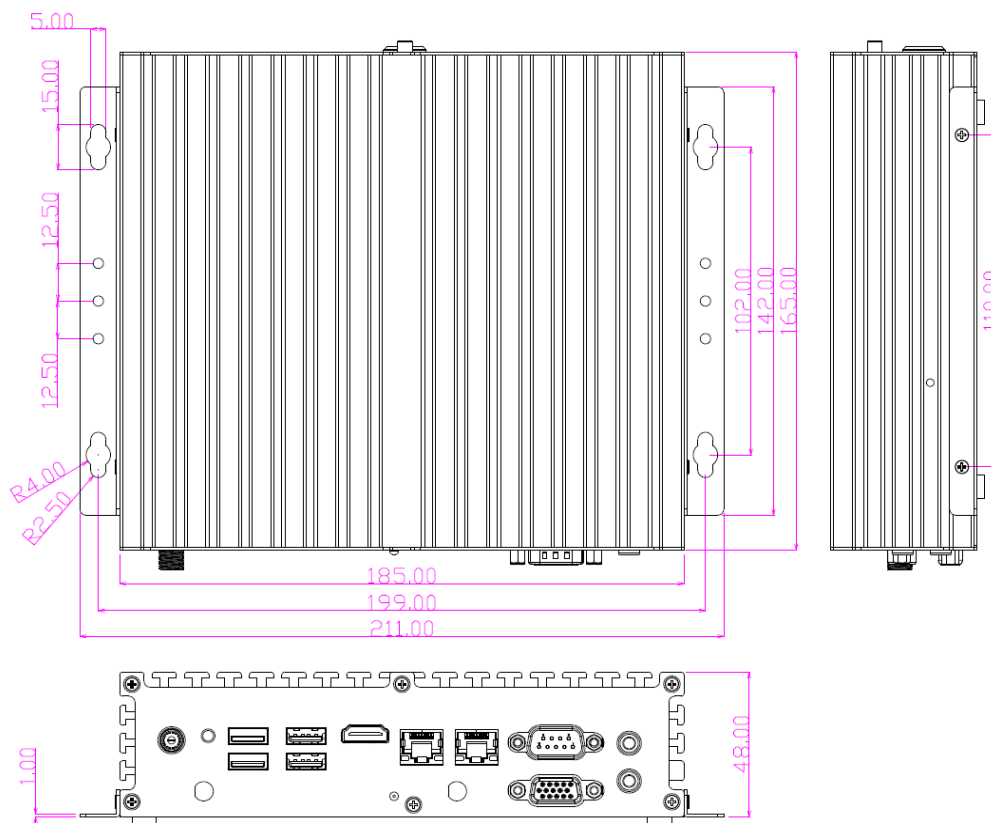
Rear



Front



Mechanical Drawings (Unit = mm)



Accessories

Parts Number	Description
-----	HBJC390F541S Series
L01AS052-F	Lockable Adapter 12V_60W
Change according to shipping area	Power cord
HCS370MWM01B-2-F	JC37X Wall mount bracket / Black color
LCSCHBJC3XX-F	Screw pack
HNSCOMWFAWCB161HF	Mini PCIe ac Wifi card (WiFi only)
J05-ANT-GX57245-F	Antenna2G4 / 5G 2.8dBi (WiFi only)
HCS3XXDINRAILPS-F	Din Rail Clip
J2ADPIE1ILAN4AR10	4xGiga LAN Daughter Board (by product model)
J2ADPIE1G16IR10	16 bits GPIO Daughter Card (by product model)
J2ADPIE1COM4R20	4xCOM Ports Daughter Board (by product model)
J2ADPIE1U304R10	4xUSB3.0 Daughter Card (by product model)