



HBJC385F551 Series

Fanless Embedded System



Specifications:

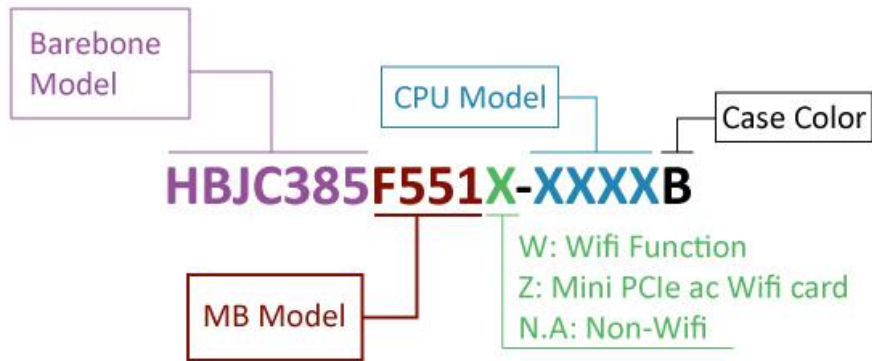
■ Dimension	■ 185(W) * 142(H) * 60(D) mm		
■ Construction	■ Aluminum housing		
■ Colors	■ Black		
■ M/B model	■ JNF551B-7200U ■ JNF551B-7300U (Default)		
■ Part No.	Non-Wifi	Mini PCIe b/g/n Wifi	Mini PCIe ac Wifi card
	<ul style="list-style-type: none"> ● HBJC385F551-7200-B ● HBJC385F551-7300-B (Default) 	<ul style="list-style-type: none"> ● HBJC385F551W-72U-B ● HBJC385F551W-73U-B 	<ul style="list-style-type: none"> ● HBJC385F551Z-7200B ● HBJC385F551Z-7300B
■ CPU	■ Intel® Skylake i5-6300U / Kabylake i5-7200U, TDP: 15W		
■ BIOS	■ AMI 128Mb Flash ROM		
■ Memory	■ 2 * SO-DIMM DDR4 2133MHz (Max. 32GB)		
■ Storage	■ 1 * 2.5" SATA Drive bay ■ 1 * mSATA SSD Device (Mini PCIe)		
■ Front I/O	■ 2 * USB 3.0 ■ 1 * COM (RJ-45 Type) ■ 6 * RJ45 (Intel i211AT/i219LM/i350AM4 GbE)		
■ Rear I/O	■ 2 * USB 2.0, 2 * USB 3.0 ■ 2 * DP (Max. resolution:4096 x 2304@60Hz) ■ 1 * GPIO (8-bit programmable inputs/outputs) ■ 1 * COM (Option)		
■ Expansion	■ Mini PCIe # 1 : full-size (for Mini PCIe module) ■ Mini PCIe # 2 : full-size (one shared with mSATA)		
■ Power	■ Lockable 12V DC-in Jack ■ Adapter : AC_90~240V / DC_12V_5A / 60W		
■ Certification	■ EMC : CE , FCC ■ Safety : RoHS , ErP		
■ Environment	■ Operating Temperature : 0 ~ 50°C		

- Storage Temperature : -20 ~ 70°C

- **Mounting** ■ Wall mounting Kits

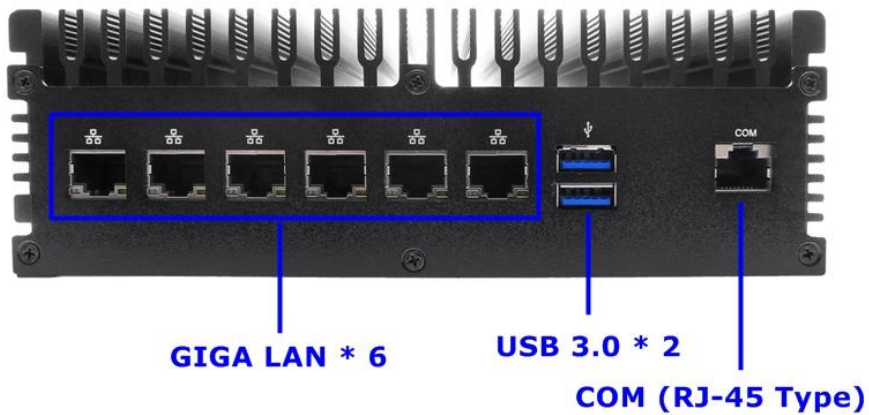
- **Packing** ■ Net Weight : 2.2KG
- Gross Weight : 3.5KG
- Color Box Dimension : 250(W) x 118 (D) x 295 (H) mm

Part Number Rule :

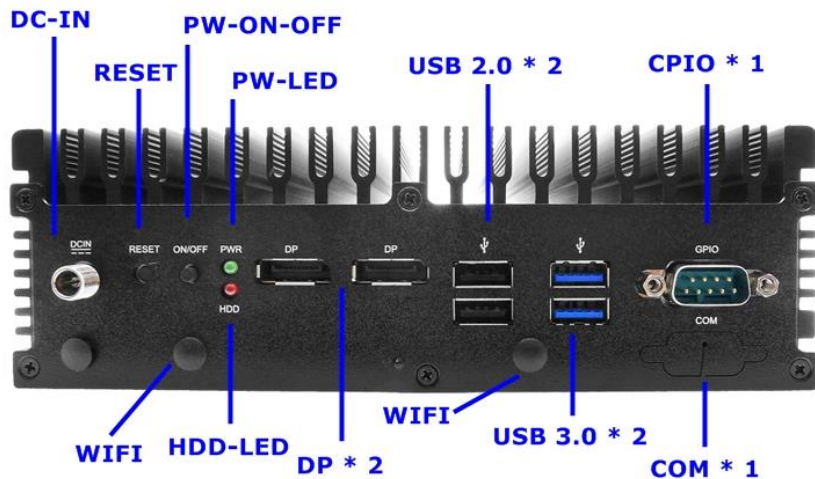


External I/O :

Front



Rear



Packing List :

Parts Number	Description
	HBJC385F551(Z) Series
L01AS053-F	Adapter 12V/5A 60W
Change according to shipping area	Power cord
LCSCHBJC3XX-F	375 Screw pack
HCS370MWM01B-2-F	JC370 Wall mount
HCS3XXDINRAILPS-F	DIN Rail Clip
J05-ANT-AN2400-F	Antenna 2G4 -2dBi R-AN2400-5701RS (WiFi model only)
HNSCOMWFAWCB161HF	Mini PCIe ac Wifi card (HBJC385F551Z series only)