

# HB368F21 Series

Intel® Elkhart Lake SoC Processor, DDR4 3200MHz up to 32GB

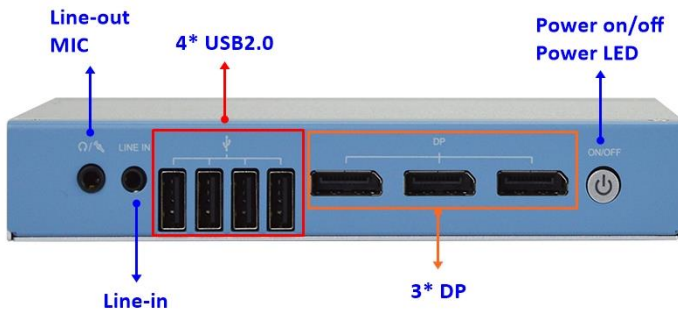
## Features

1. Intel Elkhart Lake SoC Processor
2. 1\* DDR4 3200MHz SO-DIMM up to 32GB
3. 2\* USB3.1 (Gen.2), 4\* USB2.0, 2\* RJ45, 1\* Audio (MIC + Line-out), 1\* Line-IN, 3\* DP, 2\*COM, 1\* GPIO
4. Support TPM2.0 (option)
5. BB Dimensions:  
 HB368F21-6210-S (160.2\*106\*27 mm)  
 HB368F21-6210-I (160.2\*106\*27 mm)  
 HB368F21-6412-I (160.2\*106\*27 mm)  
 HB368F21-6412-W (160.2\*106\*43.5 mm)
6. DC12V\_40W/60W Adapter (BY Model)

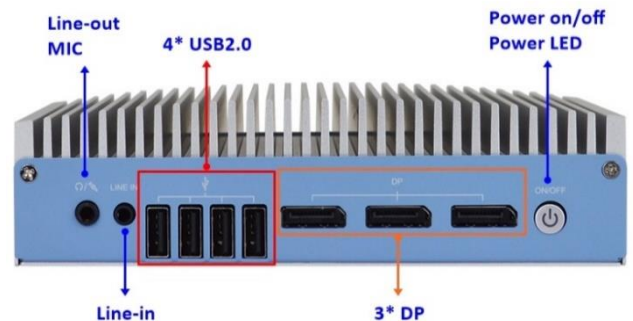


intel. FC CE RoHS COMPLIANT

## Front I/O : HB368F21-XXXX-S/I



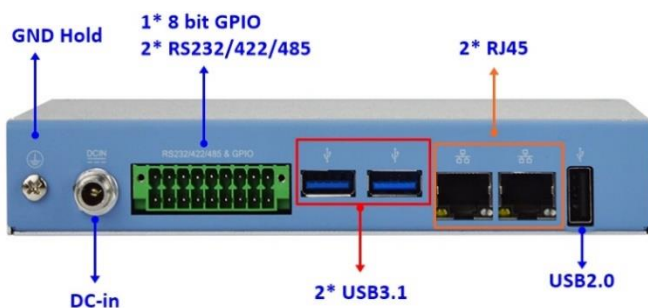
## HB368F21-XXXX-S/I/W



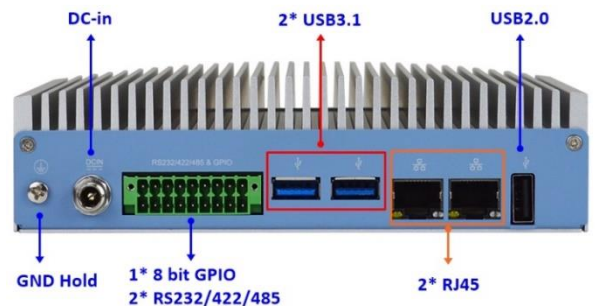
## Rear I/O : HB368F21-XXXX-S



## Rear I/O : HB368F21-XXXX-I



## HB368F21-XXXX-W

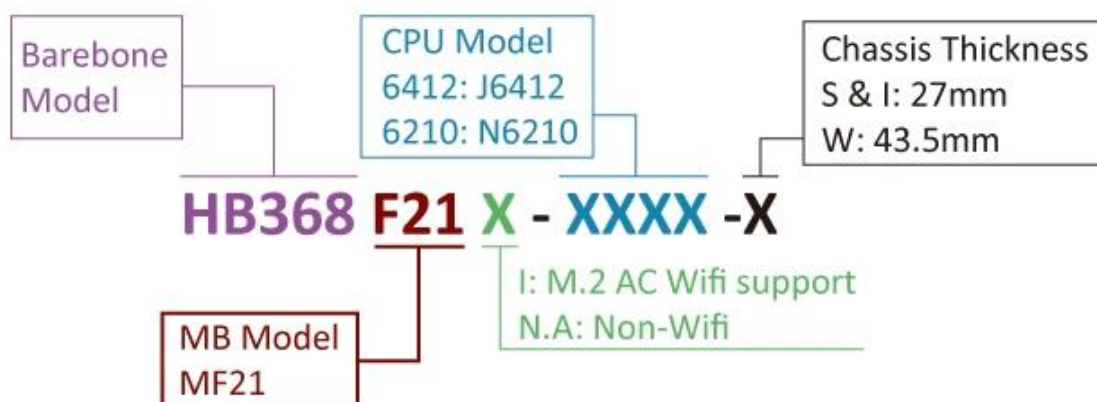


## Specifications

<b>Model</b>	<ul style="list-style-type: none"> <li>• HB368F21-6210-S (non-WiFi) &amp; HB368F21I-6210-S (WiFi)</li> <li>• HB368F21-6210-I (non-WiFi) &amp; HB368F21I-6210-I (WiFi)</li> <li>• HB368F21-6412-I (non-WiFi) &amp; HB368F21I-6412-I (WiFi)</li> <li>• HB368F21-6412-W (non-WiFi) &amp; HB368F21I-6412-W (WiFi)</li> </ul>
<b>CPU / Chipset</b>	<ul style="list-style-type: none"> <li>• Intel® Elkhart Lake SoC Processor (N6210 , TDP 6.5W &amp; J6412 , TDP 10W)</li> </ul>
<b>BIOS</b>	<ul style="list-style-type: none"> <li>• AMI Flash ROM</li> </ul>
<b>Memory</b>	<ul style="list-style-type: none"> <li>• 1* DDR4 3200MHz SO-DIMM up to 32GB</li> </ul>
<b>Network</b>	<ul style="list-style-type: none"> <li>• 2* Realtek RTL8119I GbE</li> </ul>
<b>Graphics</b>	<ul style="list-style-type: none"> <li>• Intel® HD Graphics, shared memory</li> <li>• 3* DP (Max Resolution: 4096x2160@60Hz) , Support Triple Displays</li> </ul>
<b>Storage</b>	<ul style="list-style-type: none"> <li>• 1* M.2 M-key (2242/2280, PCIe Gen.3 x2/SATA interface) support NVME</li> <li>• 32GB eMMC onboard (option)</li> </ul>
<b>Expansion</b>	<ul style="list-style-type: none"> <li>• 1* M.2 E-key (2230, PCIe Gen.3 x1/USB2.0 interface)</li> <li>• 1* M.2 B-key (3042,USB3.0 interface)</li> </ul>
<b>Rear Panel I/O</b>	<ul style="list-style-type: none"> <li>• 2* RJ45</li> <li>• 2* USB3.1(Gen.2),1* USB2.0 (HB368F21-6210-I / HB368F21-6412-I / HB368F21-6412-W only)</li> <li>• 1* 8 bit GPIO (Phoenix Connector 2*9 PIN) (HB368F21-6210-I / HB368F21-6412-I / HB368F21-6412-W only)</li> <li>• 2* RS232/422/485 (Phoenix Connector 2*9 PIN) (HB368F21-6210-I / HB368F21-6412-I / HB368F21-6412-W only)</li> <li>• 1* DC in (Lockable)</li> </ul>
<b>Front Panel I/O</b>	<ul style="list-style-type: none"> <li>• 1* Power button + Power LED</li> <li>• 4* USB2.0</li> <li>• 1* Audio(Line out+MIC)</li> <li>• 1* Line in</li> <li>• 3* DP</li> </ul>
<b>Internal Connector</b>	<ul style="list-style-type: none"> <li>• SIM Card Holder</li> </ul>
<b>Power Source</b>	<ul style="list-style-type: none"> <li>• Adapter : AC 90~240V input / DC12V_40W output</li> <li>• Adapter : AC 90~240V input / DC12V_60W output (HB368F21-6412-W only)</li> <li>• MB : DC12~36V input</li> </ul>
<b>Compliance</b>	<ul style="list-style-type: none"> <li>• CE, FCC, LVD, RoHS, ErP Ready</li> </ul>
<b>Dimensions</b>	<ul style="list-style-type: none"> <li>• HB368F21-6210-S System: 160.2 (W) x 106 (D) x 27 (H) mm Net Weight: 0.61KG: Gross Weight: 1.12KG</li> <li>• HB368F21-6210-I / HB368F21-6412-I System: 160.2 (W) x 106 (D) x 27 (H) mm Net Weight: 0.61KG: Gross Weight: 1.12KG</li> <li>• HB368F21-6412-W System: 160.2 (W) x 106 (D) x 43.5(H) mm Net Weight: 1.01KG: Gross Weight: 1.52KG</li> </ul>
<b>Temperature</b>	<ul style="list-style-type: none"> <li>• HB368F21-6210-S : Operating Temperature: -20 ~ 60° C</li> <li>• HB368F21-6210-I : Operating Temperature: -20 ~ 60° C</li> <li>• HB368F21-6412-I : Operating Temperature: -20 ~ 50° C</li> <li>• HB368F21-6412-W : Operating Temperature: -20 ~ 80° C (Under the condition of using M.2 interface SSD)</li> <li>• Storage Temperature: -20 ~ 60° C</li> <li>• Humidity: 10% ~ 90% RH @40°C (non-condensing)</li> </ul>
<b>OS Support</b>	<ul style="list-style-type: none"> <li>• Windows 11, Linux</li> </ul>
<b>Warranty</b>	<ul style="list-style-type: none"> <li>• 2 Years limited warranty</li> </ul>

\* Specifications subject to change without notice, not responsible for typographical errors. Does not include HDD or OS.

## Part Number Rules

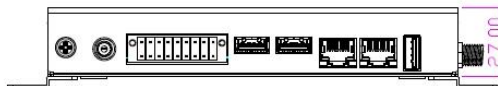


## Standard Accessories

Part Number	Description
-----	HB368F21 series
-----	WALL MOUNT KITS
-----	DIN RAIL KITS
L01AS051-F	Adapter DC12V_40W
L01AS052-F	Adapter DC12V_60W / HB368F21-6412-W only
Change according to shipping area	Power cord
LCSCBHC3XX-F	Screw Pack
J05-ANT-GX57245-F	Antenna 2G4/5G 2.8dBi (WiFi only)

## Mechanical Drawings (Unit=mm)

### HB368F21-6210-S & HB368F21-6210-I & HB368F21-6412-I



### HB368F21-6412-W

