

### Features

- ▶ ESP32-WROOM32 Module
- ▶ GSM / LTE Connection
- ▶ Built-in 0.96 OLED Display
- ▶ Built-in Button on front panel
- ▶ Digital Inputs
- ▶ Analog Inputs
- ▶ Transistor Outputs
- ▶ DIN-Rail mount



### Cellular Options

#### Quectel EC21

- ▶ Worldwide LTE, UMTS/HSPA(+) and GSM/GPRS/EDGE coverage
- ▶ Supports DFOTA and DTMF

#### SIMCOM SIM800-C

- ▶ Quad-band GSM/GPRS module
- ▶ DTMF, MMS, MUX
- ▶ Embedded TCP/UDP protocols

### Expansions supported

Temperature  
MAX31856



Analog  
4-20mA / 0 - 10V



### Main

Range of product	NORVI GSM	
Product type	Programmable Controller	
Certifications	EN 61131-2:2007 EN 61010-1:2010+A1:2019 EN IEC 61010-2-201:2018	2014/30/EU- Electromagnetic Compatibility (EMC) Annex III, Part B, Module C
Rated supply voltage	24V DC	
Communication	WiFi / Bluetooth GSM / GPRS - SIMCOM SIM800C LTE / EDGE - Quectel EC21	
OLED Display protocol	I2C	
Analog input range	4 - 20mA / 0 - 10V	
Analog input resolution	16 bit	
Transistor Output Rating	500mA 300mW	

## Complementary

Number of Expansions	-----
Supply voltage limits	20.4....28.8V
Inrush current	<=50A
Power consumption in W	32.6.....40.4 with all outputs ON
Discrete logic input	Sink or source
Discrete input voltage	24V
Discrete input voltage type	DC
Voltage state 1 guaranteed	>=15 V for input
Voltage state 0 guaranteed	<=5 V for input
Discrete input current	5 mA for input
Input impedance	4.7k Ohm for input
Memory capacity	Refer datasheet of ESP32-WROOM32
Battery type	-----
Backup time	-----
Local signalling	1 LED green for PWR
Electrical connection	Removable screw terminal block for inputs and outputs (pitch 5.08 mm)
Mounting support	Top hat type TH35-15 rail conforming to IEC 60715 Top hat type TH35-7.5 rail conforming to IEC 60715 Plate or panel with fixing kit
Height	90.50 mm
Depth	56.60 mm
Width	60.60 mm
Product weight	0.43 Kg

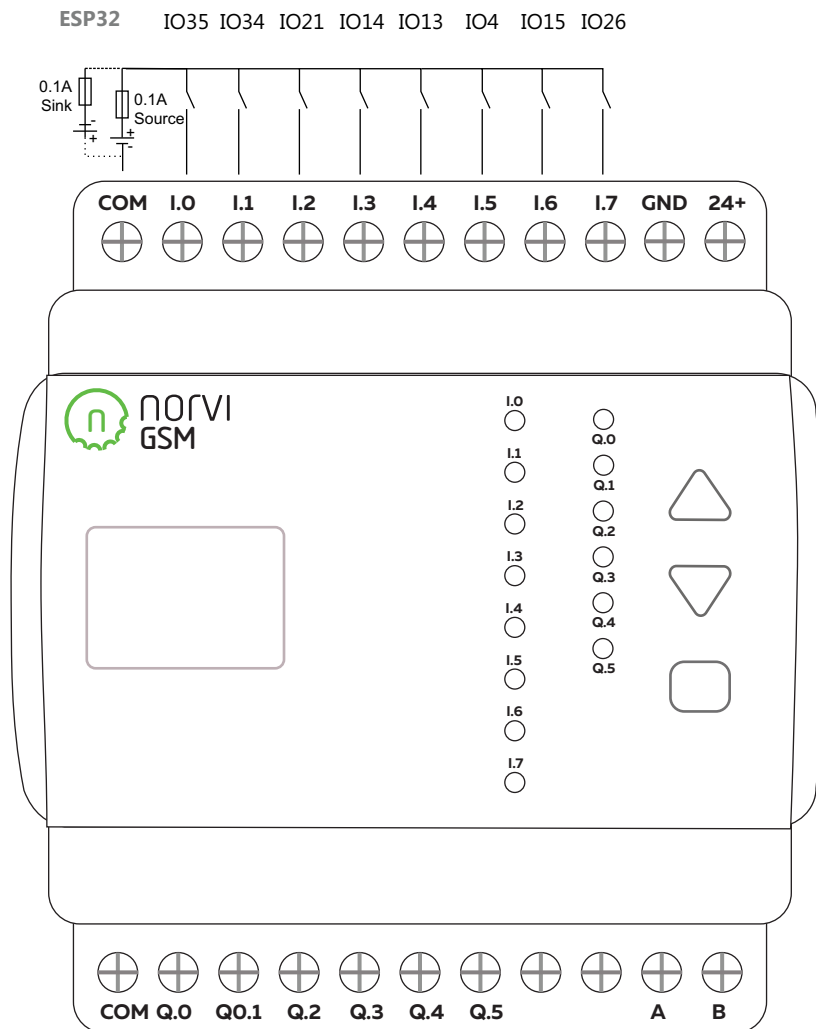
## Environment

Resistance to electrostatic discharge	4kV on contact 8kV on air
Resistance to electro magnetic fields	10 V/m (80 MHz ..... 1GHz) 3 V/m (1.4 MHz ..... 2 GHz) 1 V/m (2 MHz ..... 3 GHz)
Immunity to microbreaks	10 ms
Relative humidity	10....95% without condensation in operation
IP degree of protection	IP20
Operating Temperature	-10 ... +85° C (14...185 °F)
Storage Temperature	-25 ... +85° C (-13...185 ° F)
Operating altitude	0...2000m
Storage altitude	0...3000m
Shock resistance	15 gn for 11 ms

## Digital inputs wiring diagram

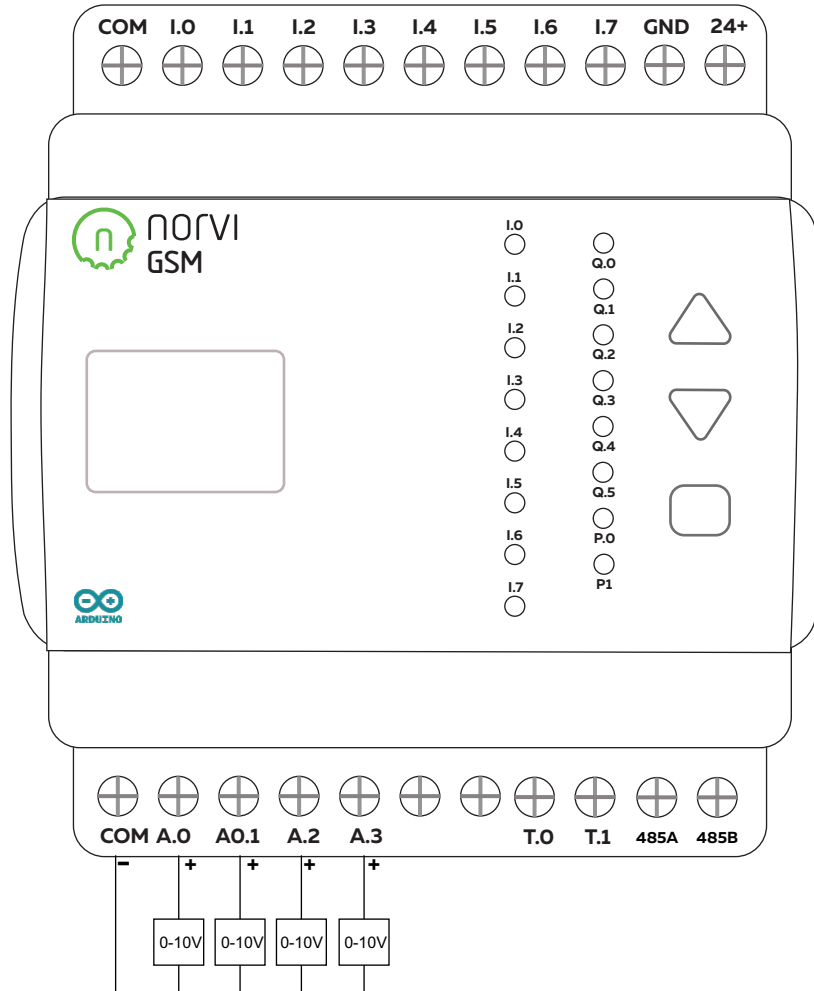
### AE02

24V DC Sink/Source

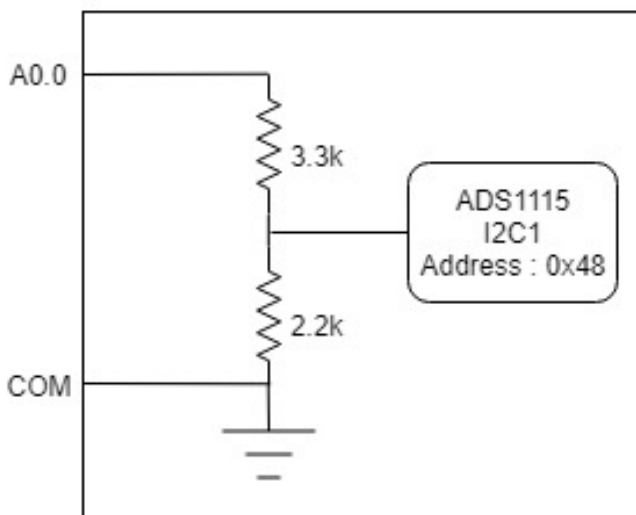


## Analog input wiring diagram (0-10V)

\*AE-02 / AE-03 Models Only



0 - 10 V input to 0 - 4V

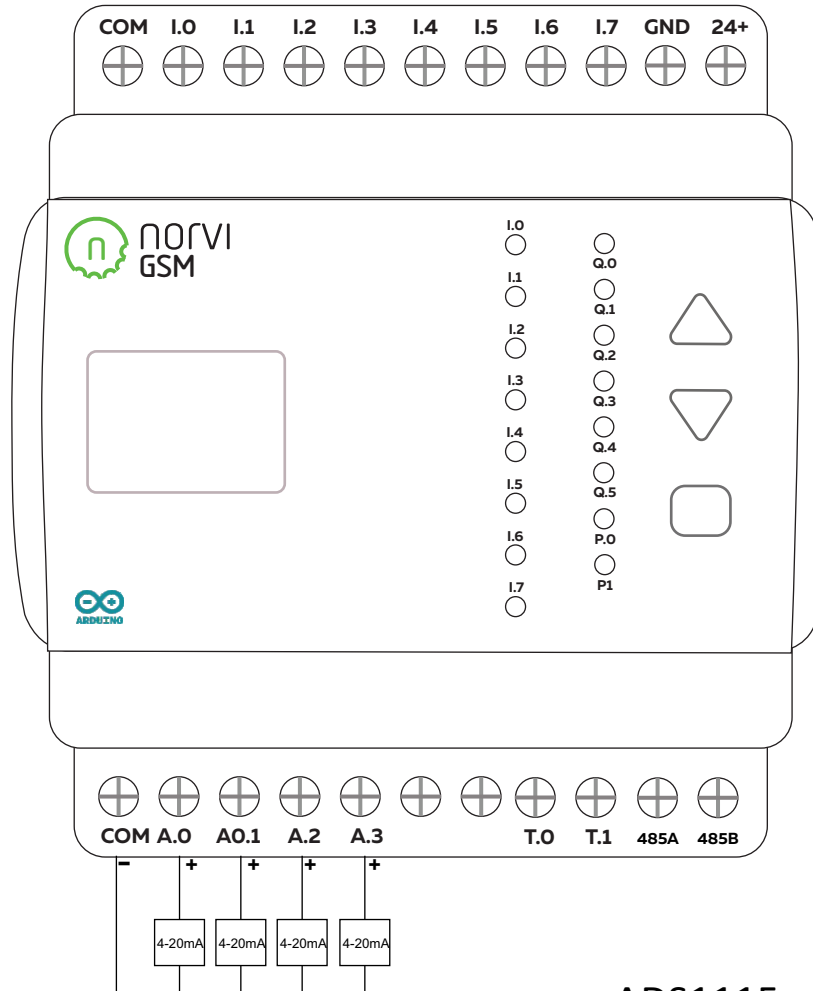


## ADS1115 connections

IC Type	ADS 1115
Communication	I2C IO16 - IO17
Module Address	0x48 / 0x49
Resolution	16 bit

## Analog input wiring diagram (4-20mA)

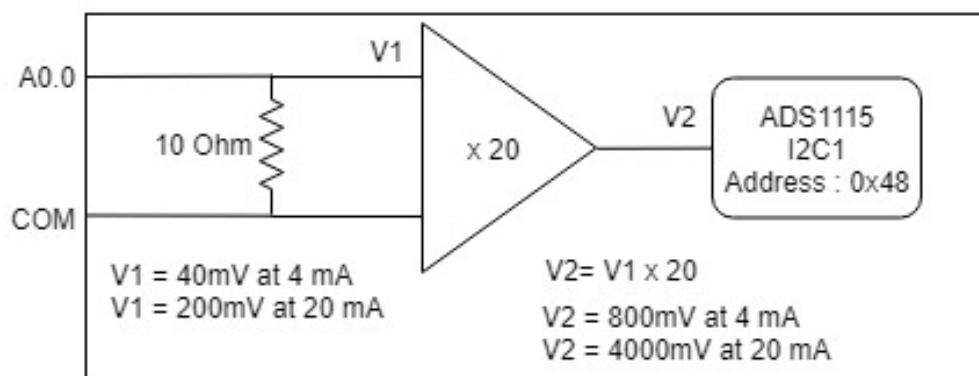
\*AE-02 / AE-03 Models Only



## ADS1115 connections

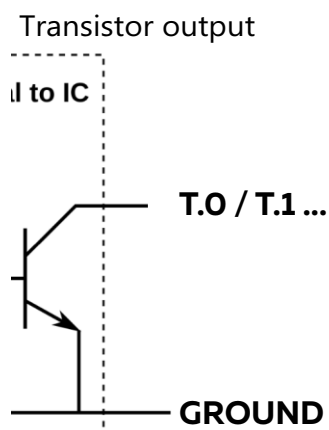
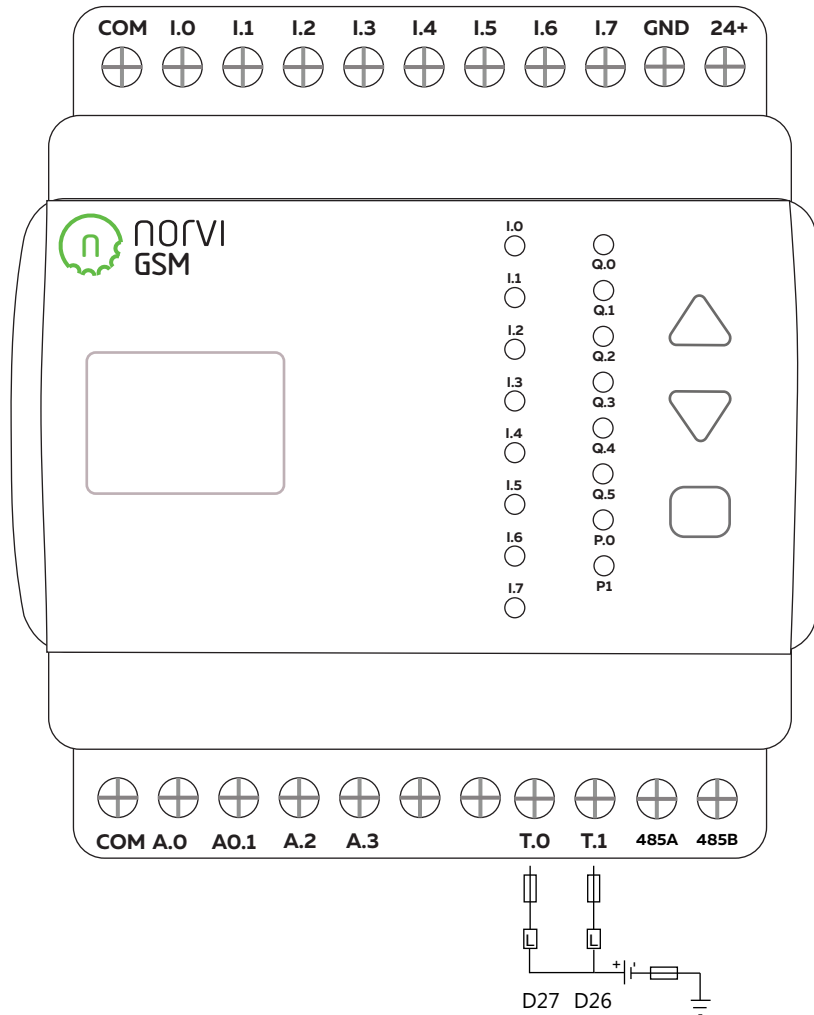
IC Type	ADS 1115
Communication	I2C IO16 - IO17
Module Address	0x48 / 0x49
Resolution	16 bit

0 - 10 V input to 0 - 4V



## Transistor outputs wiring diagram

### AE02



### GPIO MAP

<b>GPIO ALLOCATION</b>		<b>I IOT-AE02 SERIES</b>
<b>GPIO</b>		
0	outputs PWM signal at boot	
1	debug output at boot	
2	connected to on-board LED	OUTPUT 7
3	HIGH at boot	
4		INPUT 6
5	outputs PWM signal at boot	
6	connected to the integrated SPI flash	
7	connected to the integrated SPI flash	
8	connected to the integrated SPI flash	
9	connected to the integrated SPI flash	
10	connected to the integrated SPI flash	
11	connected to the integrated SPI flash	
12	boot fail if pulled high	
13		INPUT 5
14	outputs PWM signal at boot	INPUT 4
15	outputs PWM signal at boot	INPUT 7
16		SDA
17		SCL
18		
19		RS-485 TX
21		INPUT 3
22		RS-485 FC
23		
25		RS-485 RX
26		OUTPUT 2
27		OUTPUT 1
32		GSM RX
33		GSM TX
34	input only	INPUT 2
35	input only	INPUT 1
36	input only	BUTTON INPUT
39	input only	

## 0.96 OLED Display parameters

Display driver	SSD1306
Communication	I2C IO16(SDA) - IO17(SCL)
Module Address	0x3C
Resolution	128 x 64

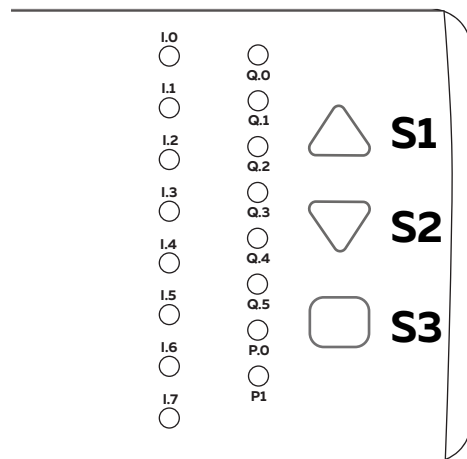
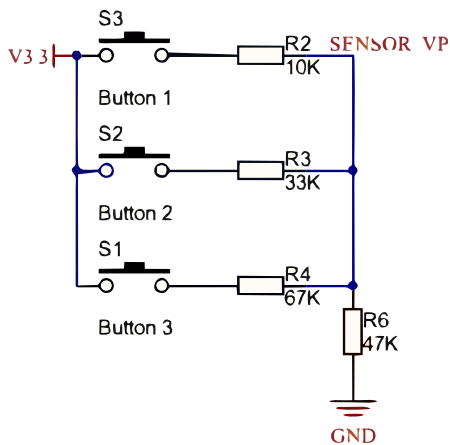
## GSM Connection

Display driver	SIM800C
Communication	UART
Baud Rate	Configurable / 9600bps Default
Connection	RXD IO32 TXD IO33

## Built in buttons

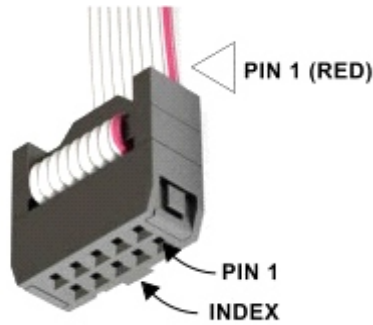
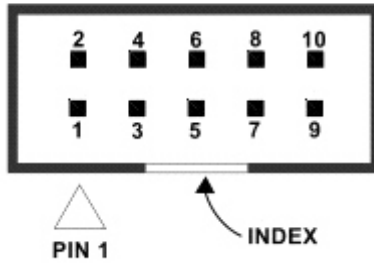
Read mode	ADC (Analog to Digital Conversion)
Analog IO	GPIO 36 / SENSOR_VP

Voltage levels 3



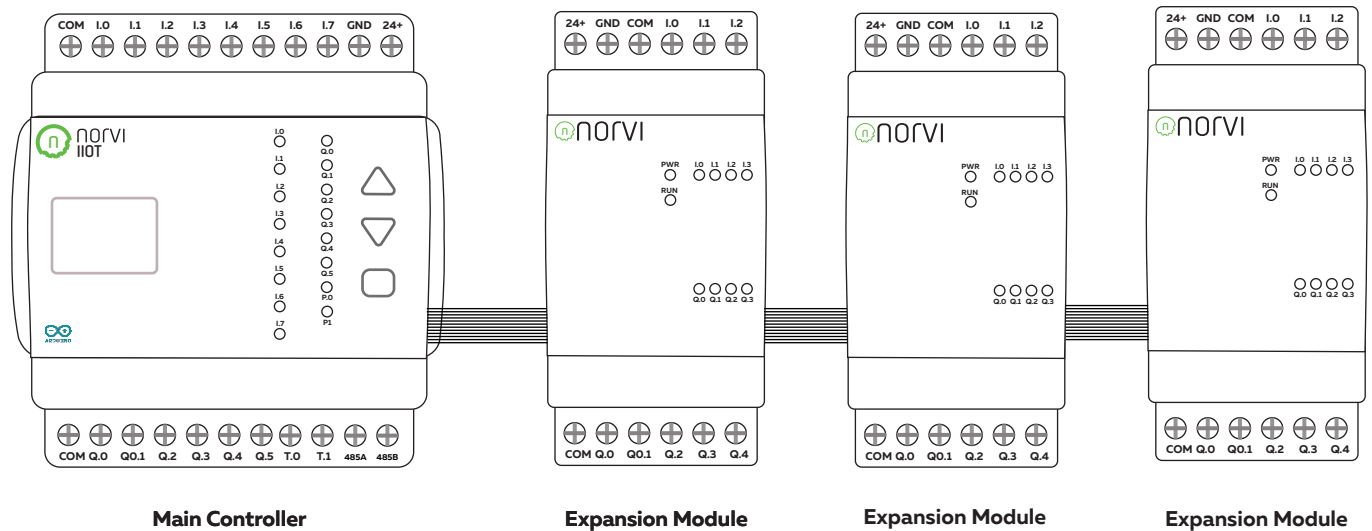


### Expansion port



PIN	ESP32 Connection
1	--
2	TXD0
3	5V
4	RXD0
5	BOOT IO0
6	--
7	3.3V
8	SCL IO17
9	Ground
10	SDA IO16

### Expansion modules



Expansion modules connects to the right side of the controller

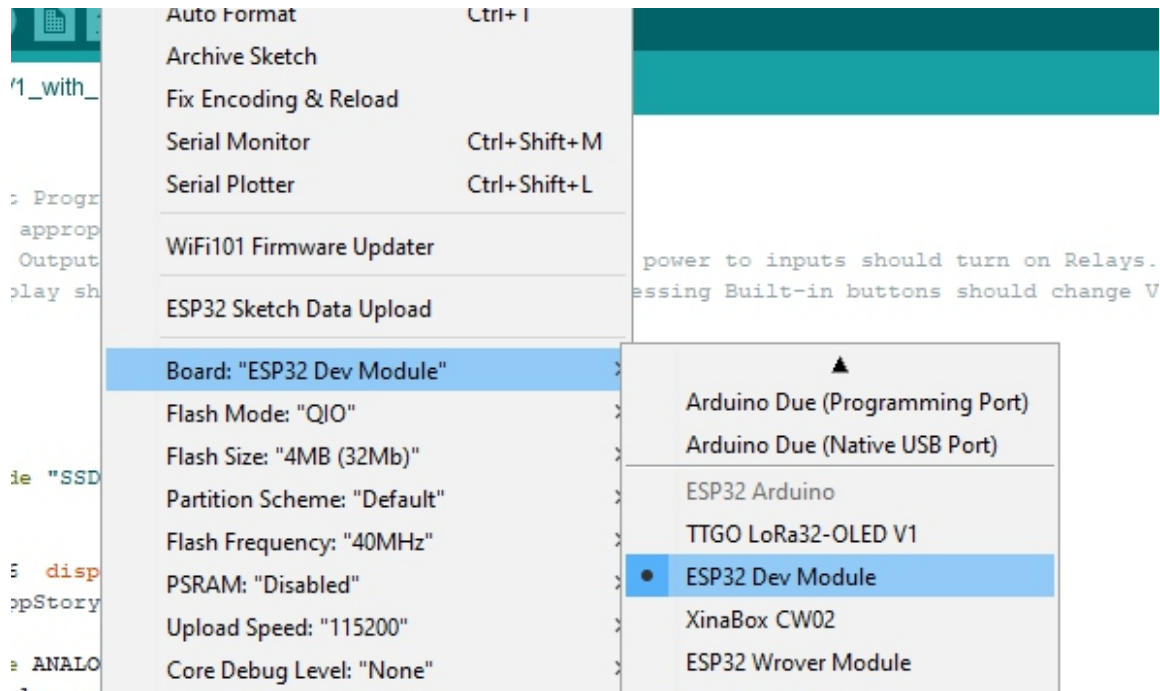
Upto 6 expansion modules can be connected on one controller

Expansion modules use I2C, UART and GPIO on the expansion port

Depending on the model, some expansion modules require external power

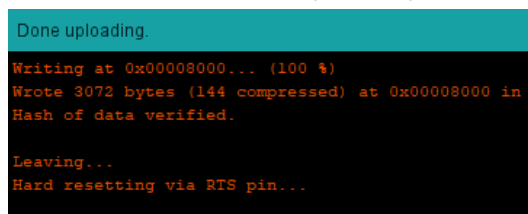


### Programming procedure



Board	ESP32 Dev Module
Flash Mode	QIO
Flash Size	4MB
Flash Frequency	10MHz
PSRAM	Disabled
Upload Speed	115200

After successful uploading of program following message appears.



esp32 Boards must be installed under board manager, it is recommended to use the latest version of esp32 board driver for Arduino.

Due to installation of different drivers and older versions of libraries, Arduino fails to upload the program to the controller. In most cases it is due to failure to enter boot mode of the device.

The device can be forced to boot mode by connecting the BOOT IO0 of the expansion port to the GND pin with a jumper wire. Arduino is able to upload the program to controller while the controller is in boot mode.

After uploading the program , the connection between the BOOT IO0 and GND must be removed to run the uploaded program.

# Product data sheet

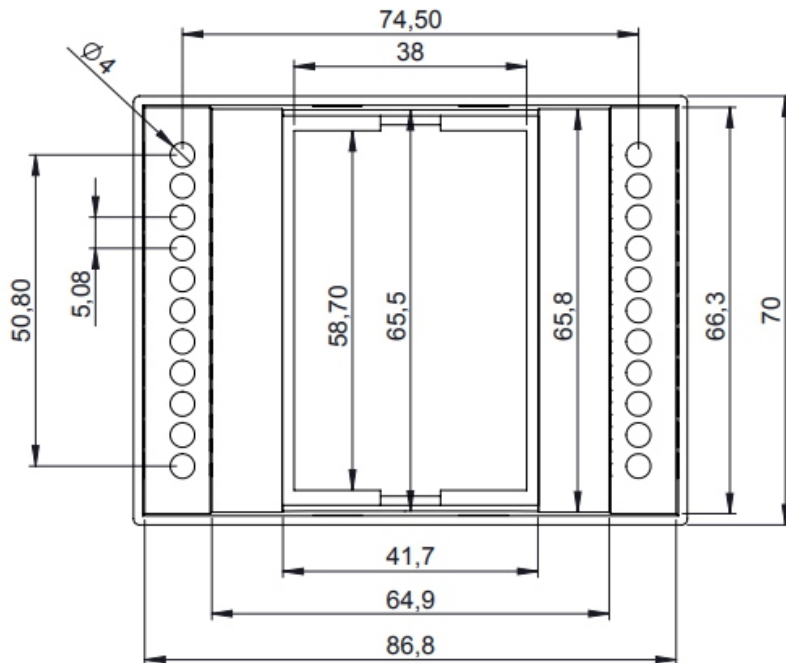
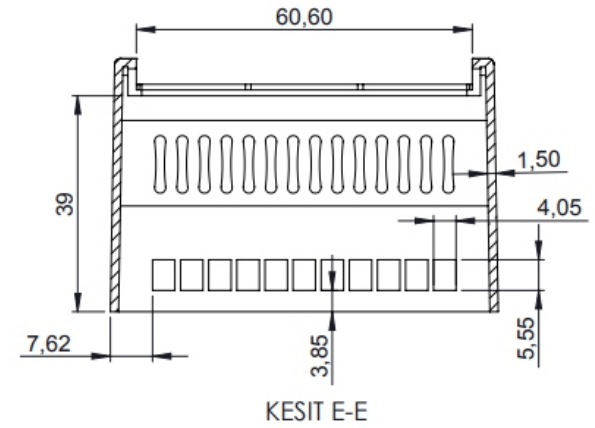
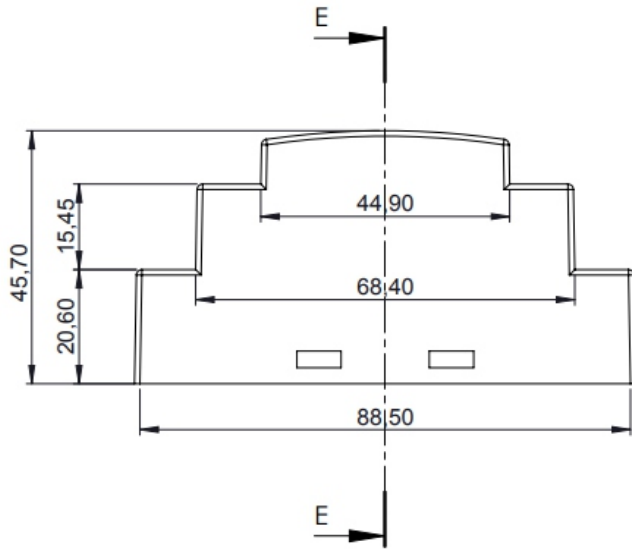
## Dimensions Drawings

NORVI GSM

AE02 Series

Cellular Connected ESP32

## Dimensions





## Reach-Us

### ***Technical Support***

E-mail : [info@icd.lk](mailto:info@icd.lk)

Forum : <https://norvi.lk/forums/>

### ***Sales Inquiries***

E-mail : [bhanuka@icd.lk](mailto:bhanuka@icd.lk)

Web : <https://norvi.lk/support/>

### ***Order Online***

<https://norvi.lk/>