

# 19" Resistive Touch Monitor

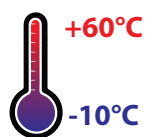


- Driver support for all the current operating systems
- USB and Serial touch support
- 5-Wire Resistive touch technology
- Power supply included
- VESA 100 mounting
- 2 years guarantee
- UL listed

faytech's 15" to 22" Touch Monitors make your working process easier and more efficient. These monitors are packed with features and connectors that make them perfect for any industrial or commercial application. Each Touch Monitor is produced using an industrial LCD panel with backlighting (30,000+ hour lifespan), 5-wire resistive touch and anti-glare coating to enhance the user's experience and of course includes faytech's 100% guarantee of no defective pixels. The 15 - 17 - 19" models have VGA and DVI-D connectors, with additional S-Video and HDMI connections added to the 22" version. Each monitor comes with its own desktop stand, and screw patterns on the back for VESA 100 mounting, so it can be used in a variety of configurations for industrial and commercial environments.

The high-resolution support (e.g. 1080p, 1920×1200 pixels) of these faytech Touch Monitors make them the perfect choice for a wide variety of applications including use in POS systems, as control panels in the industrial area, in kiosk systems, for machine control, in the office and in many other fields.

Customization is available for project customers (e.g. higher brightness, brightness sensor, IP protection classes, integrated power supply, webcam, scanners, printers, capacitive and SAW touch panels, etc.)



<b>Product name</b>	<b>19" Resistive Touch Monitor</b>
<b>Article code / EAN number</b>	<b>FT19TMB / 6920734019113</b>

<b>IP Rating</b>	
IP40	

<b>LCD Panel</b>	
Screen diagonal (Inch/cm)	19/48.26
Display active screen size (cm)	41.22×25.91
Aspect ratio	16:10
Physical resolution	1440×900
Maximum showable resolution	1920×1200
Colours displayed	16.7M
Brightness (cd/m <sup>2</sup> )	250
Contrast	1000:1
Typical reaction time Tr/ Tf (ms)	1.5/3.5
Visual Angle horizontal/vertical (°)	170/160
Backlight / Backlight Lifetime (hours)	LED / 30,000

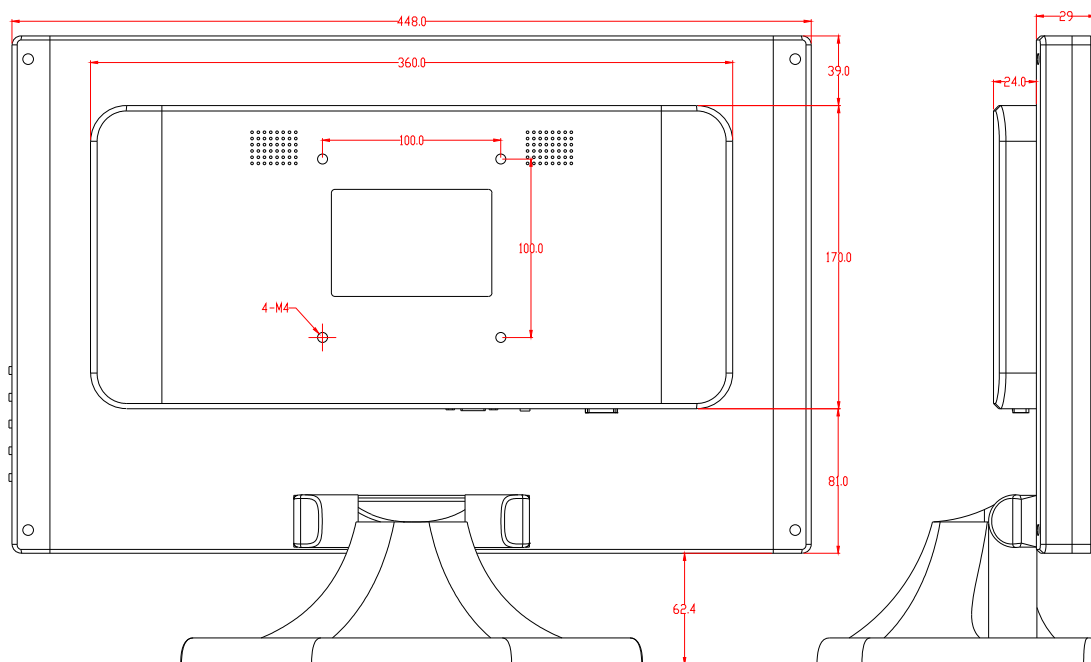
<b>External Connectors</b>	
Video	1x VGA
	1x DVI-D
Audio	1x Audio-In
Touch Connector	1x USB
	1x Serial
Connectors	1x 12V DC-IN

<b>Touch Panel</b>	
Touch Technology	5-Wire Resistive
Touch Panel Drivers	Windows; Linux; Mac; Android
Touch Life (Contacts)	10 million touch in 1 location
Surface Hardness	3H
Surface Treatment	Anti-glare

<b>Operation / Mechanical</b>	
Operating Temperature (°C)	-10 ~ +60
Humidity Range (RH)	10% - 90%
Net weight (kg)	4.98
Gross weight (kg)	6.60 (incl. cartonage)
Housing material	Plastic
Housing (cm) L × W × H	44.80 × 29.00 × 5.30
Mounting	VESA 100

<b>Power</b>	
Power Indicator	Green LED
Power Supply	100-240V ACDC active switching; 12V DC-Out
Working Power (V)	12
Power Consumption (W)	20
Stand-By Consumption (W)	<1

<b>Included in the Delivery</b>	
Power Supply (see Power section)	
Stylus	
Driver DVD	
Short Installation Manual	
Cables - VGA, USB Touch, Audio Cable	
Standard Stand	



CONSULTORIA EM MINI-ITX

Especialistas em Soluções Mini-ITX e Sistemas Embedded

<https://guedeslopes.pt>

[geral@guedeslopes.pt](mailto:geral@guedeslopes.pt)

ESPAÇO 3D  
RUA BRAANCAMP 84, 3 DTO  
1250 052 LISBOA

+351 218 278 341  
+351 966 850 776