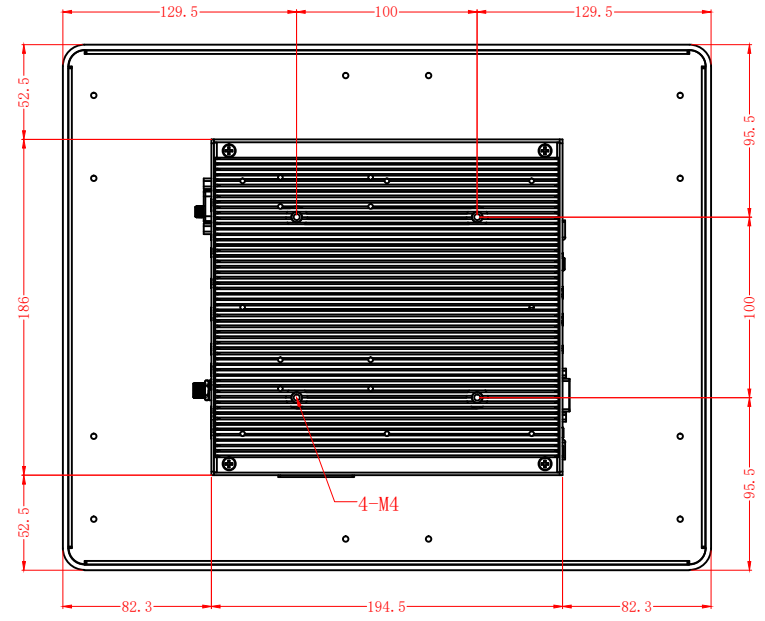
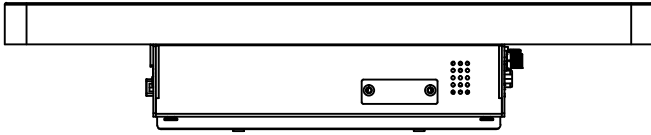
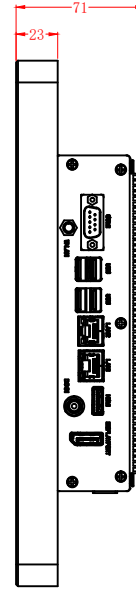
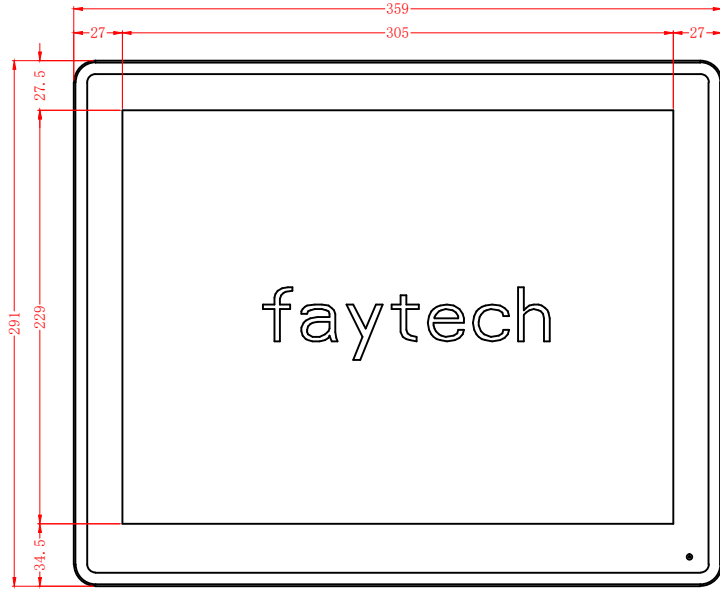
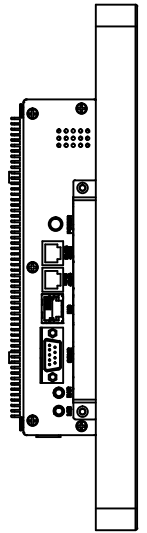
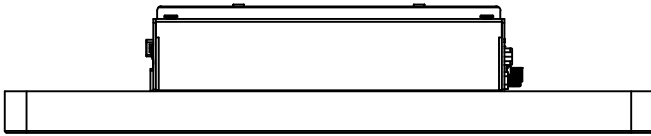


No.	Rev.	Revision Record	Date
△			



Tolerance: ±1MM

General Tolerance	ISO 2768-lc				
UNIT	mm	Description		15inch-i5	
Scale	1:1	Designed	jiangfan	Date	2020-03-13
REV.	A0	Checked		Date	
		Approved		Date	

A
B
C
D
E
F

A
B
C
D
E
F

1

2

3

4

5

6

7

8

1

2

3

4

Autodesk

6

7

8