

FRG1-3288S

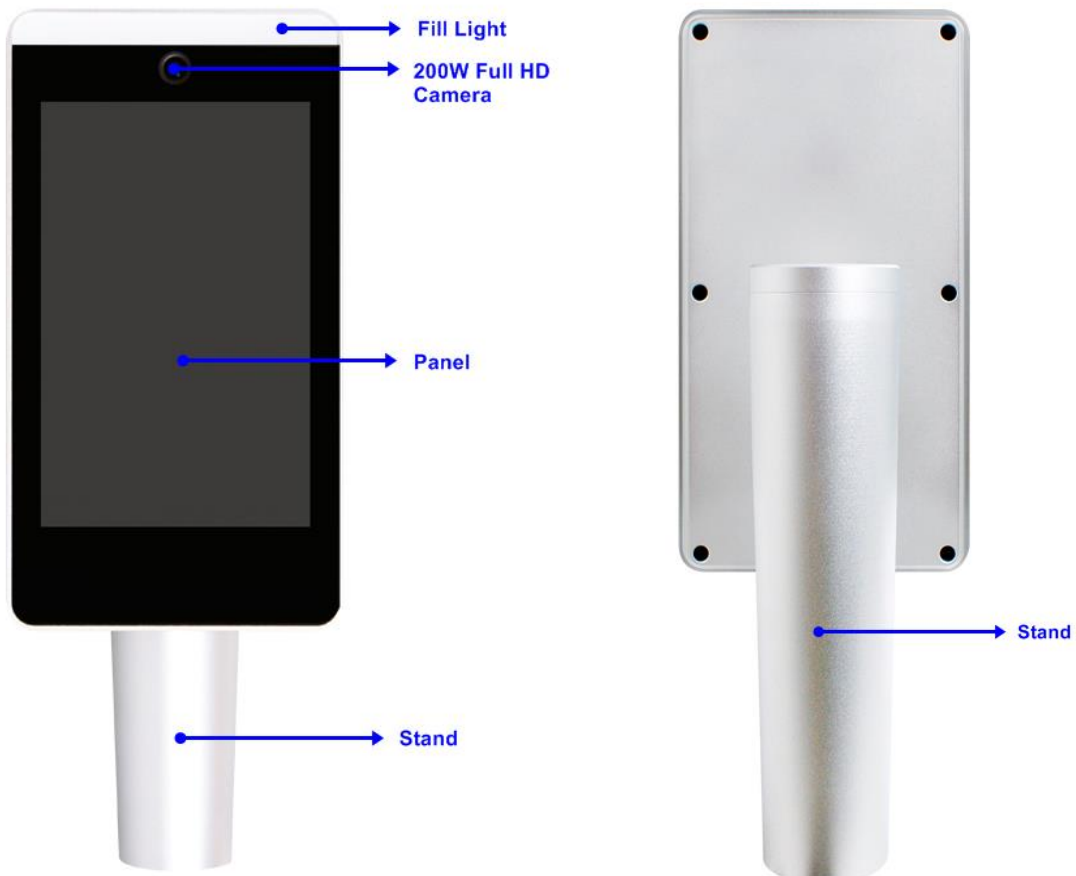
7.0" TFT Fanless Panel Computer with Rock Chip® ARM Cortex A17 RK3288 Quad Cores 1.8GHz Processor



1. 7" 400 nits high brightness TFT LCD with LED backlight
2. Alloy aluminum structure
3. Camera Support superior low-light performance
4. Camera Support high dynamic range imaging
5. Support Face Recognition Living Body
6. Face Recognition less than 0.5sec
7. Support 30,000 face data base on board
8. Stand support 15° up and down adjustment
9. 12V DC-in



External I/O





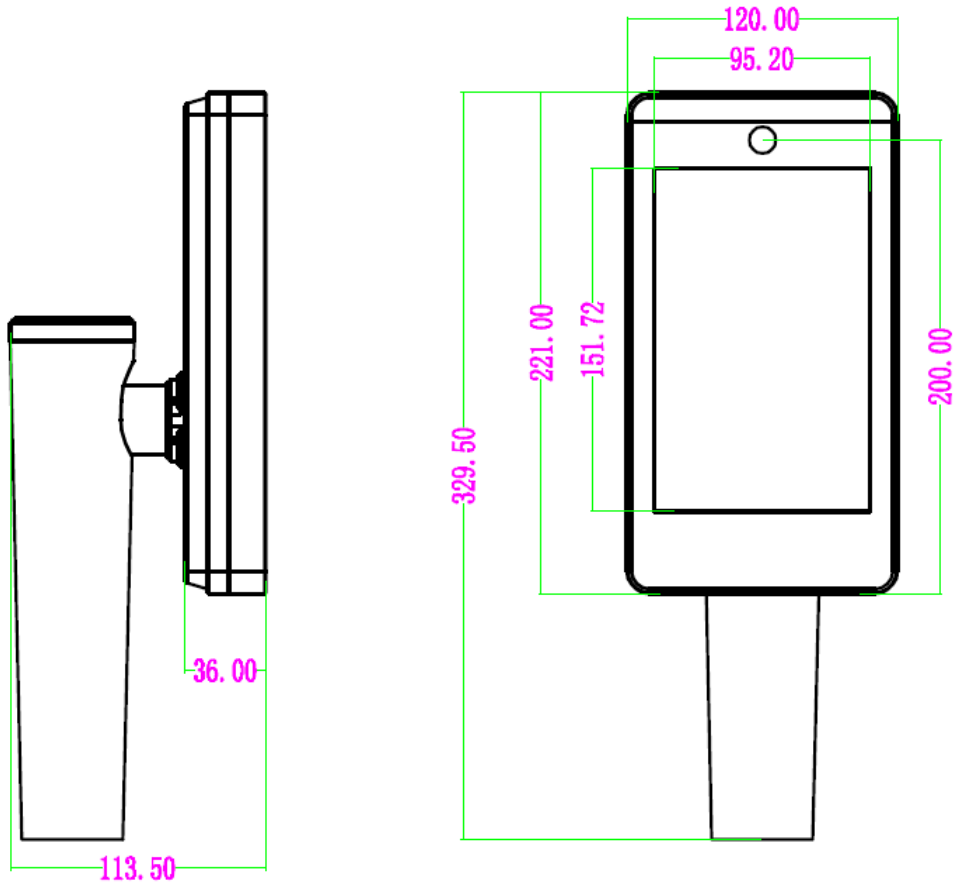
Specifications

Display	
Display Type	- 7" With LED Backlight
Brightness	- 400 cd/m ²
Display Color	- 16.7M
Resolution	- 800 x 1280 @ 60Hz
Viewing Angle (H/V)	- 170°/170°
Pixel Pitch	- 0.039 x 0.118 mm
Aspect Ratio	- 10:16
Contrast Ratio	- 800:1
Response Time	- 20 ms
Screen	
Type	- Glass
Case	
Panel Material	- Aluminum
Case Material	- Aluminum
Color	- Silver
Coating Requirement	- Oxidation treatment
Stand	- 15° up and down adjustment
Main System	
CPU	- Rockchip® ARM Cortex A17 RK3288 Quad Cores 1.8GHz
RAM	- 2G 1333MHz DDR3L DRAM Max 4GB
Flash ROM	- 8GB Max 64GB
Storage	- 1* Micro SD Card Socket (INT)
Watchdog Timer	- 256 levels, 0~255 sec.

Fill Light	- 1 (Life time: > 30,000 Hours)
Camera	- 200W Full HD
OS Support	- Android 5.1
I/O Connector	
Cable	- 1* USB2.0 - 1* OTG - 1* RJ45(10/100/1000Mbps Ethernet) - 1* DC Jack - 1* Switch Control (3Pin Cable)
Power	
Power Input	- AC version: 100 ~ 240V AC-DC 60W power adapter or - DC version: 12VDC with over current protection fuse
Power Consumption	- 11.5W
Dimensions	
Case Dimensions	- 221.0 * 120.0 * 36.0 mm
Packing Dimensions	- Net Weight: 2.39 KG - Gross Weight: KG - Color Box dimension: (W) * (D) * (H) mm
Certifications	
Certifications	- RoHS
Environment	
Temperature	- Operating: -0°C ~ 60°C (with W.T. DRAM/HDD in airflow condition) - Operating: -0°C ~ 60°C (with W.T. DRAM/HDD) - Storage: -20°C ~ 85°C
Shock	- Operating: 15G, 11ms duration
Vibration	- Operating: 5 ~ 500Hz/1 Grms
Warranty	
Warranty	- 1 Year Limited Warranty

* Specifications subject to change without notice, not responsible for typographical errors.

Mechanical Drawings (Unit = mm)



Accessories

Part Number	Description
-----	FRG1-3288S
	Power cord
	60W AC-DC Adapter