



HPC080SC-FP2807A

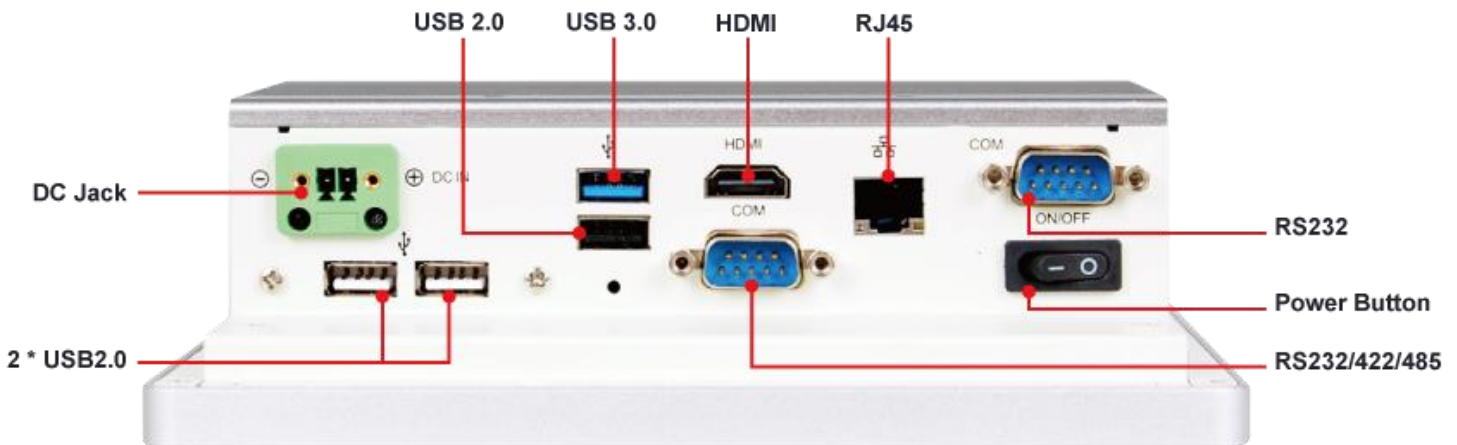
8" TFT Fanless Touch Panel Computer with Intel® Bay Trail-M N2807 1.58GHz Dual Cores Processor



1. 8" 400 nits high brightness TFT LCD with LED backlight
2. 10-points Multi Capacitive Touch
3. Streamlined enclosure for highly efficient heat dissipation
4. Enclosed in robust aluminum casings
5. Edge-to-edge narrow bezel design and Fanless cooling system
6. Design for easy Wall mount, Panel Mount, VESA Mount installation
7. A true Flat, easy-to-clean front surface with edge-to-edge design
8. Front IP65 for protection against water and dust



External I/O



Specifications

Display

Front Bezel	- IP65, NEMA 4 rugged protection, Full planar metal border
Display Type	- 8" With LED Backlight
Brightness (cd/m ²)	- 400 nits
Display Color	- 16.7M
Resolution	- 1024 x 768 @ 60Hz
Viewing Angle (H/V)	- 160°/160°
Pixel Pitch	- 0.158 x 0.158 mm
Aspect Ratio	- 4:3
Contrast Ratio	- 700:1
Response Time	- 30 ms

Touch screen

Type	- projected capacitive type
Active Range	- 163.05 x 122.54mm ±0.2mm
Transparency	- ≥ 85%
Surface Hardness	- ≥ 6H (JIS-5400)
Glass haze value	- ≤ 3%

CASE

Panel Material	- Aluminum
Case Material	- Iron
Color	- Silver + white
Coating Requirement	- Spray Paint

Main System

CPU	- Intel® Bay Trail-M N2807 1.58GHz/DC
RAM	- 2G 1333MHz DDR3L SAMSUNG DRAM
BIOS	- 64MB SPI Flash ROM
Storage	- 1 * M-SATA connector (Full size)
Watchdog Timer	- 256 levels, 0~255 sec.
OS Support	- Windows 7 / 8.1 / 10 / Linux(Optional)

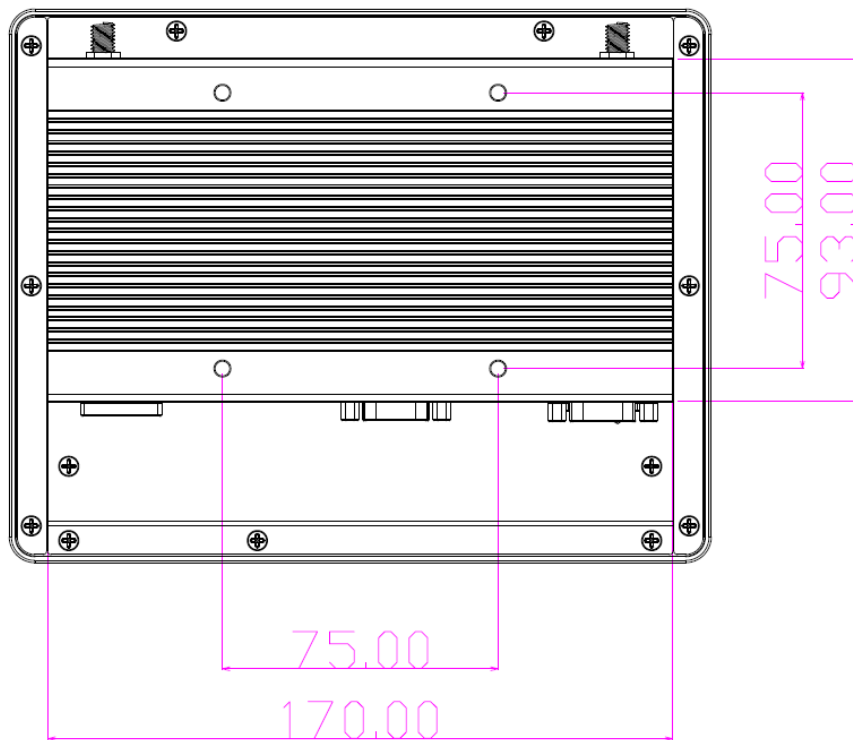
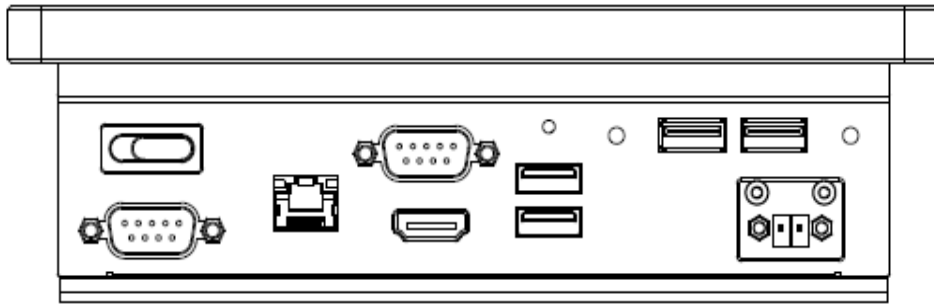
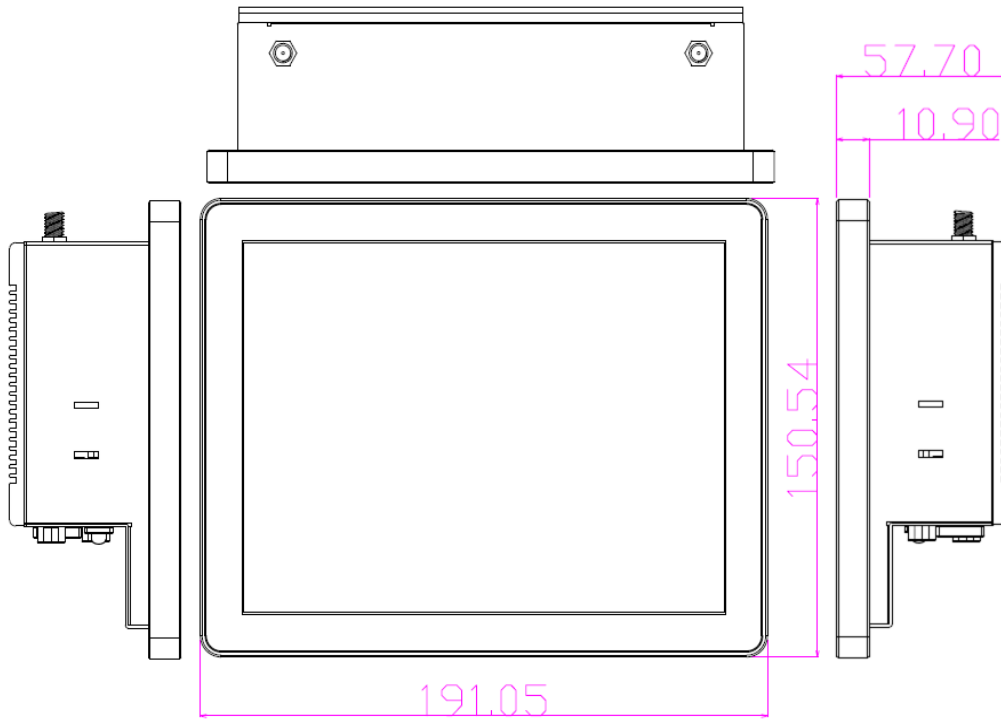
I/O Connector

I/O Ports and Switches	- 1 * USB3.0 - 3 * USB2.0 - 1 * RS232 - 1 * RS232/422/485 - 1 * HDMI - 1 * LAN (Gigabit LAN)
------------------------	---

	- 1 * Euro terminal block by 12V DC input - 1 * Power button
Expansion Interface	
Expansion	- 1 * PCI-E mini card for WIFI or 3G/4G
Power	
Power Input	- AC version: 100~240V AC-DC 60W power adapter or - DC version: 12V _{DC} with over current protection fuse
Power Consumption	- 13W
Dimensions	
Case Dimensions	- 191.05*150.54*57.70mm
Packing Dimensions	- Net Weight: KG - Gross Weight: KG - Color Box dimension: (W) * (D) * (H) mm
Certifications	
Certifications	- CE, FCC, IP65(Front)
Environment	
Temperature	- Operating: -10°C ~ 60°C (with W.T. DRAM/HDD in airflow condition) - Operating: -10°C ~ 60°C (with W.T. DRAM/HDD)
	- Storage: -20°C ~ 85°C
Shock	- Operating: 15G , 11ms duration
Vibration	- Operating: 5~500Hz/1 Grms
Warranty	
Warranty	- 2 Years Limited Warranty (Panel and Touch is only Warranty 1Year)

*Specifications subject to change without notice, not responsible for typographical errors. Does not include HDD or OS.

Mechanical Drawings (Unit = mm)



Optional Accessories

Part Number	Description
-----	HPC080SC-FP2807A
	HPC080SC-FP2807A User's Manual
	JNP93-2807 User's Manual
	CD Driver
	Power cord
	60W AC-DC Adapter

AGL

CONSULTORIA EM MINI-ITX

Especialistas em Soluções Mini-ITX e Sistemas Embedded

 <https://guedeslopes.pt>

 geral@guedeslopes.pt

 ESPAÇO 3D
RUA BRAANCAMP 84, 3 DTO
1250 052 LISBOA

 +351 218 278 341
+351 966 850 776