

# HPC070SC-FP2807A

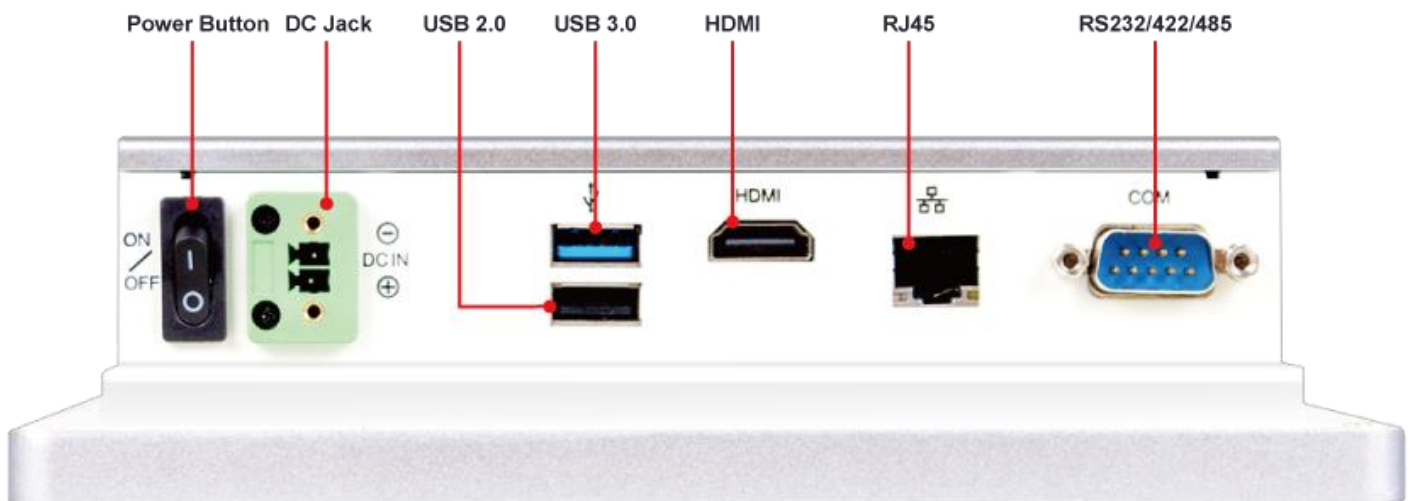
7" TFT FanLess Touch Panel Computer with Intel® BayTrail-M N2807 1.58GHz Dual Cores Processor



1. 7" 320 nits high brightness TFT LCD with LED backlight
2. 10-points Multi Capacitive Touch
3. Streamlined enclosure for highly efficient heat dissipation
4. Enclosed in robust aluminum casings
5. Edge-to-edge narrow bezel design and Fanless cooling system
6. Design for easy Wall mount, Panel Mount, VESA Mount installation
7. A true Flat, easy-to-clean front surface with edge-to-edge design
8. Front IP65 for protection against water and dust



## External I/O



## Specifications

### Display

Front Bezel	- IP65, NEMA 4 rugged protection, Full planar metal border
Display Type	- 7" With LED Backlight
Brightness (cd/m <sup>2</sup> )	- 320 nits
Display Color	- 16.7M
Resolution	- 1024 x 600 @ 60Hz
Viewing Angle (H/V)	- 150°/145°
Pixel Pitch	- 0.15 x 0.15 mm
Aspect Ratio	- 16:9
Contrast Ratio	- 500:1
Response Time	- 30 ms

### Touch Screen

Type	- projected capacitive type
Active Range	- 152.40 x 91.44mm ±0.2mm
Transparency	- ≥ 85%
Surface Hardness	- ≥ 6H (JIS-5400)
Glass haze value	- ≤ 3%

### CASE

Panel Material	- Aluminum
Case Material	- Iron
Color	- Silver + white
Coating Requirement	- Spray Paint

### Main System

CPU	- Intel® Bay Trail-M N2807 1.58GHz/DC
RAM	- 2G 1333MHz DDR3L SAMSUNG DRAM
BIOS	- 64MB SPI Flash ROM
Storage	- 1 * M-SATA connector (Full size)
Watchdog Timer	- 256 levels, 0~255 sec.
OS Support	- Windows 7 / 8.1 / 10 / Linux (Option)

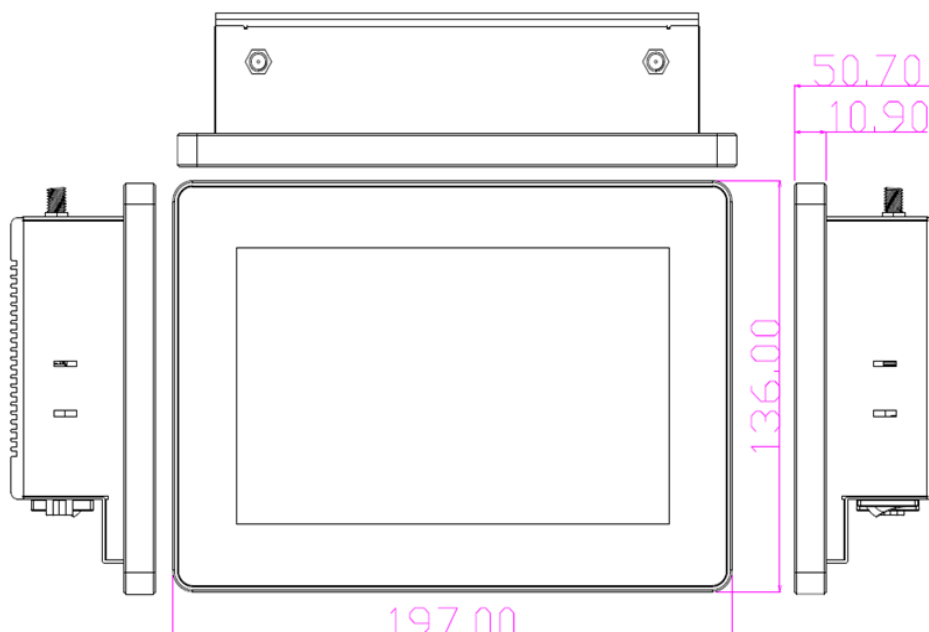
### I/O Connector

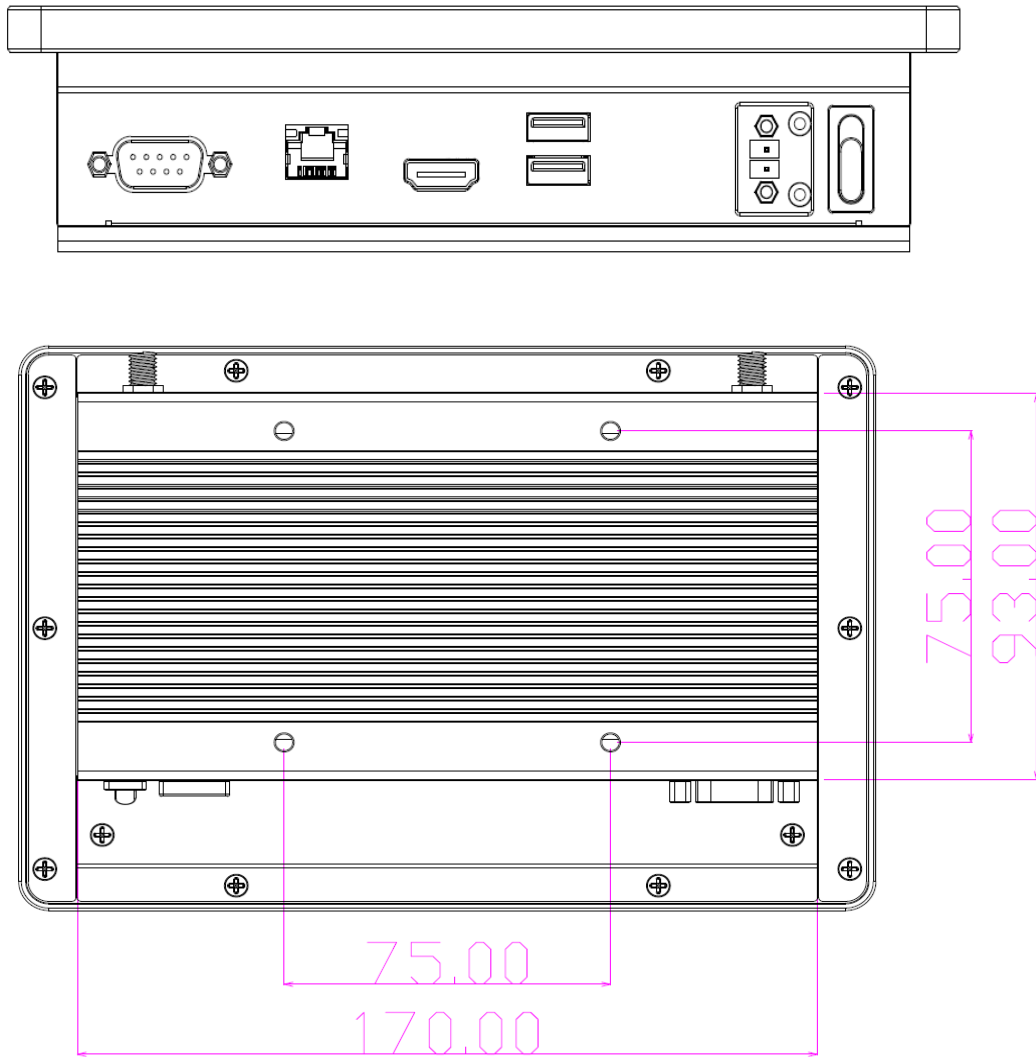
I/O Ports and Switches	- 1 * USB3.0 - 1 * USB2.0 - 1 * RS232/422/485 - 1 * HDMI - 1 * LAN (Gigabit LAN) - 1 * Euro terminal block by 12V DC input
------------------------	---

	- 1 * Power button
<b>Expansion Interface</b>	
Expansion	- 1 * PCI-E mini card for WIFI or 3G/4G
<b>Power</b>	
Power Input	- AC version: 100~240V AC-DC 60W power adapter or - DC version: 12V <sub>DC</sub> with over current protection fuse
Power Consumption	- 13W
<b>Dimensions</b>	
Case Dimensions	- 197.0*136.0*50.7mm
Packing Dimensions	- Net Weight: KG - Gross Weight: KG - Color Box dimension: (W) * (D) * (H) mm
<b>Certifications</b>	
Certifications	- CE, FCC, IP65(Front)
<b>Environment</b>	
Temperature	- Operating: -10°C ~ 60°C (with W.T. DRAM/HDD in airflow condition)
	- Operating: -10°C ~ 60°C (with W.T. DRAM/HDD)
	- Storage: -20°C ~ 85°C
Shock	- Operating: 15G , 11ms duration
Vibration	- Operating: 5~500Hz/1 Grms
<b>Warranty</b>	
Warranty	- 2 Years Limited Warranty (Panel and Touch is only Warranty 1 Year)

\*Specifications subject to change without notice, not responsible for typographical errors. Does not include HDD or OS.

## Mechanical Drawings (Unit = mm)





## Optional Accessories

Part Number	Description
-----	HPC070SC-FP2807A
	HPC070SC-FP2807A User's Manual
	JNP93-2807 User's Manual
	CD Driver
	Power cord
	60W AC-DC Adapter


**AGL**  
CONSULTORIA EM MINI-ITX

*Especialistas em Soluções Mini-ITX e Sistemas Embedded*

 <https://guedeslopes.pt>

 [geral@guedeslopes.pt](mailto:geral@guedeslopes.pt)

 ESPAÇO 3D  
RUA BRAANCAMP 84, 3 DTO  
1250 052 LISBOA

 +351 218 278 341  
+351 966 850 776