

2015

Panel PC

Product Launch Guide

-[HPC-104BR-2930-4G]

Panel PC Series

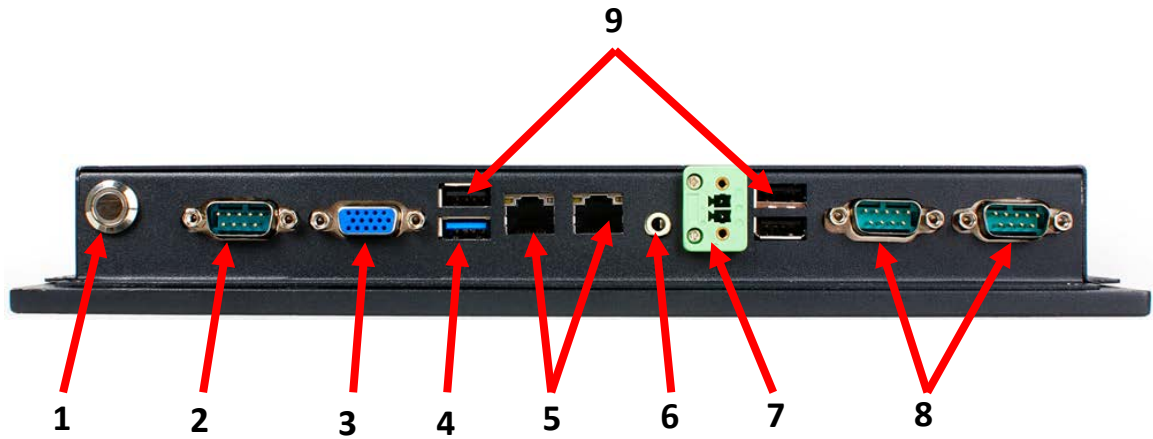


Jetway Information Co., Ltd.
www.jetway.com.tw

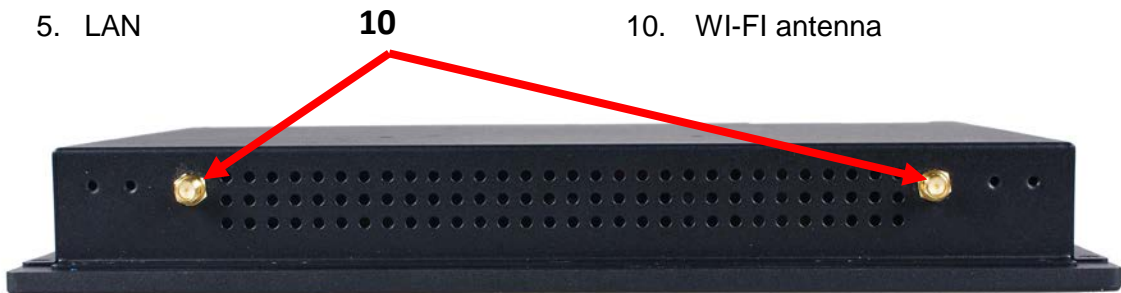
DATE: January 12, 2015



1. INTEL® BayTrail-M N2930 SOC
2. Onboard INTEL® BayTrail-M N2930 1.83GHz Quad Cores CPU
3. Onboard SAMSUNG 4G/1333MHz DDR3L Memory
4. Support DirectX 11 3D Graphics Acceleration
5. Support 1*Serial ATAI(3Gb/s) Devices
6. Support Dual INTEL® Gigabit LAN
7. Support CRT Output
8. Equipped with 802.11 b/g/n WIFI card & External Antenna
9. Support 3* COM ports (COM2/COM3 Support RS422/485)
10. Support 1*M-SATA Socket
11. Support 1*Mini PCI-E Socket
12. Support 3* USB2.0 Ports
13. Support 1* USB3.0 Port
14. Support 3G SIM Card
15. 37mm thin,slice design
16. VESA mount(100mm X100mm &75mm x 75mm)



- | | |
|------------------|---------------------------------|
| 1. Power Button | 6. Line-out |
| 2. COM for RS232 | 7. DC-Jack(Euro terminal block) |
| 3. CRT | 8. COM RS232/422/485 |
| 4. USB3.0 | 9. USB2.0 |
| 5. LAN | 10. WI-FI antenna |



Specifications

Panel	Viewable Size Image	10.4 inch With LED Backlight
	Active Area	211.2(H) x 158.4(V)
	Resolution	800 x 600 @60Hz
	Display Color	262K
	Pixel Pitch	0.264 x 0.264 mm
	Aspect Ratio	4:3
	Contrast Ratio	500:1
	Max Brightness	230 cd/m ²
	Viewing Angle(H/V)	H160/V130
	Response Time	25ms
	Temperature Range	-20 ~ +70°C(Operating)
Touch	Touch panel type	5 wires analog resistive
	Active Range	211.58 x 158.75mm ±0.2mm
	Temperature Range	-10 ~ +60°C(Operating)
	Transparency	80 ±3%
	Surface Hardness	≥ 3H (ASTM D3363, pressure 750g/45°)
	Operating Force	≤ 80g
	Knock test	10,000,000 times keystrokes

Case	Panel Material	Aluminum
	Case Material	Iron
	Color	Black
	Coating Requirement	Spray Paint
	Protection grade (IP)	IP65
	Speaker	N/A
	Bracket	6 (Top:2pcs、Side:4pcs, Optional)
	Installation Type	Open Frame / Wall Hanging (Optional)
	Cooling Mode	Fan less Fully sealed design
System Specification	Form Factor	4"
	Processor	INTEL® BayTrail-M N2930 1.83GHz/QC
	System Chipset	INTEL® BayTrail-M N2930 (SOC)
	System Memory	4G/1333MHz DDR3L SAMSUNG DRAM
	BIOS	64MB SPI Flash ROM
	Ethernet	2*INTEL® I211AT Gigabit LAN

	Audio	Realtek® ALC662 HD Audio
	Storage	1* Serial ATA2 3Gb/s connector 1* M-SATA connector
	WIFI Module	N/A(Optional)
	Optical Device	N/A
	Expansion	PCI-E mini card for WLAN
	Display Output	CRT
	I.O Port	1*USB3.0、3*USB2.0、1*RS232、 2*RS232/422/485、1*Line-out、2*RJ45
	Power Adapter	DC-IN (9~24V,Euro terminal block)
	OS Support	Windows 7/8.1/10
	Temperature	Operating: -10 ~ +60°C
	Humidity	20%~90% (non condensing)
	Shock	Operating: 15G, 11ms duration
	Vibration	Operating: 5~500Hz/1 Grms
	Net Weight (kg)	
	Dimension	284.0mm*230.0mm*37.0mm
	Certification	FCC CE
	Other	Support Non wire I.O interface output
Other Information	Application	Commercial、Banking、 Digital Signage POS/KIOSK、 Industrial Automation
	Special Features	Metal design, compact、 slim
	Other	Optional wall hanging telescopic bracket, etc., can also be used as the embedded security
Accessory	Adapter	1* 60W AC-DC Adapter
	Power cord	1*Power cord
	Manual	2*Manual
	CD	1*CD
	Other	2* WI-FI antenna

Product Dimension

