



HBJC153F692 Series



1. Intel® Apollo Lake N3350/N4200 Processor
2. 1 * SO-DIMM Dual CH DDR3L up to 8GB
3. 2 * USB3.0 , 6 * RJ45 , 1 *RS232(RJ45 TYPE)
4. M/B Form Factor : Mini ITX (170x170mm)
5. 1U FLEX POWER_200W

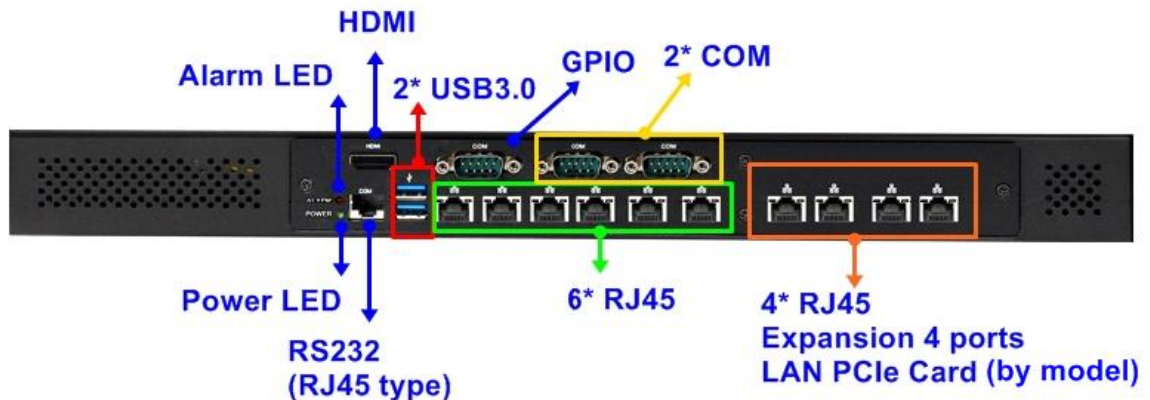


External I/O

Rear



Front

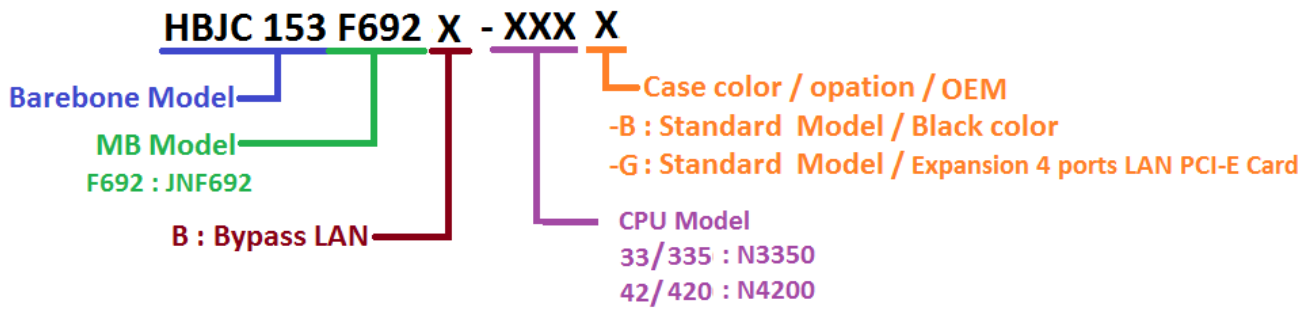


Specifications

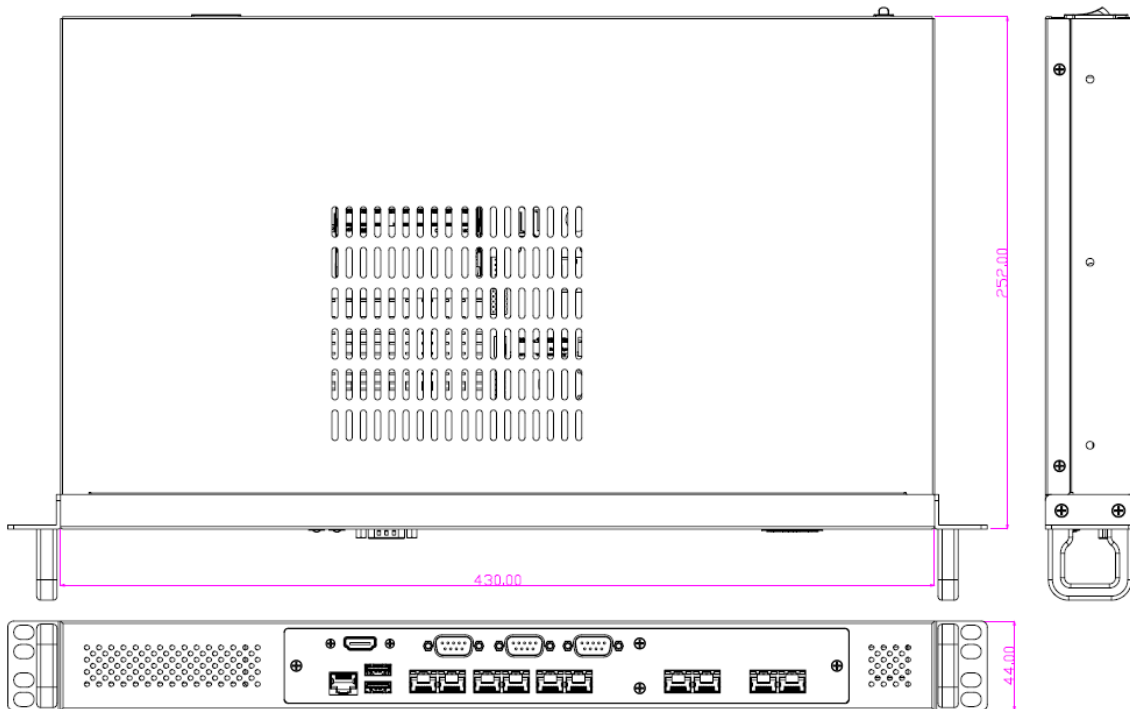
| | | | | |
|------------------------|---|--|--|---|
| MB Model | JNF692G6-335 / JNF692G6-420 (Mini-ITX) JNF692G6-335B1 / JNF692G6-420B1 (Mini-ITX/1 pair support Bypass LAN) | | | |
| Part No | Standard | Bypass LAN | Expansion 4 ports LAN PCI-E Card | Bypass LAN+ Expansion 4 ports LAN PCI-E Card |
| | - HBJC153F692-335B - HBJC153F692-420B | - HBJC153F692B-335B - HBJC153F692B-420B | - HBJC153F692-33G4 - HBJC153F692-42G4 | - HBJC153F692B-33G4 - HBJC153F692B-42G4 |
| BIOS | AMI 128MB SMT Flash ROM | | | |
| CPU/Chipset | ● Intel® Apollo Lake N3350/N4200 Processor | | | |
| Memory | 1 * SO-DIMM slots DDR3L-1866MHz up to 8GB | | | |
| Storage | <ul style="list-style-type: none"> ● 1 * 2.5" SATA3 6Gb/s internal drive bay ● 1 * Full-size mSATA/mini-PCI Express shared slot | | | |
| Network | <ul style="list-style-type: none"> ● 6 * Intel i211AT Gigabit LAN ● 1 * Full-size mini-PCIE slot (802.11 b/g/n + BT 4.0 installed in WIFI model) | | | |
| Rear Panel I/O | <ul style="list-style-type: none"> ● 1 * Power SWITCH ● AC INPUT / 1U FLEX 200W Power build in | | | |
| Front Panel I/O | <ul style="list-style-type: none"> ● 6 * RJ45 ● 2 * USB3.0 ● 1 * RS232 (RJ45 TYPE) ● 1 * PW LED , 1 * Alarm LED ● 1 * HDMI (Not assembled when shipped, wire placed in the parts box) ● 1 * GPIO (Not assembled when shipped, wire placed in the parts box) ● 2 * COM (optional) | | | |
| Power Source | <ul style="list-style-type: none"> ● 1U FLEX 200W Power build in ● AC 90~240V input | | | |
| Compliance | CE, FCC, RoHS | | | |
| Temperature | Operating Temperature: 0~40 °C Storage Temperature: -10-70 °C | | | |
| Dimensions | 430 (W) x 252 (D) x 44 (H) mm | | | |
| Packing | <ul style="list-style-type: none"> ● Net Weight: 4.2KG ● Gross Weight: 5KG ● Color Box dimension: 560 (W) * 400 (D) * 380 (H) mm | | | |
| OS Support | Windows 7, Windows 8.1, Windows 10, Linux | | | |
| Warranty | 2 Year limited warranty | | | |

*Specifications subject to change without notice, not responsible for typographical errors. Does not include HDD or OS.

Part Number Rule



Mechanical Drawings (Unit = mm)



Optional Accessories

| Parts Number | Description |
|------------------|-------------------------------------|
| ----- | HBJC153F692 SERIES |
| G03-NF692-F | IPC NF692 Manual |
| G02-DVD24-A2-WF | Mini-ITX INTEL Apollo Lake DVD V:A2 |
| G01-2X10A-HDMI-F | HDMI CABLE/ L=25cm |
| G01-GPIO9-M30-F | GPIO CABLE COM9/M L=30cm |
| HCSMIPCIWIFIB-F | Mini-PCIE WiFi Card Extended iron |
| ----- | Power cord |
| LCSCJC150-F | Screw Pack |