

HBFHP792X Series



The HBFHP792X series is a ruggedized fanless automation PC. The DIN-rail mounting form factor is suitable to be used in control cabinet for industrial automation application. There are four models that can choose according to IO requirements.



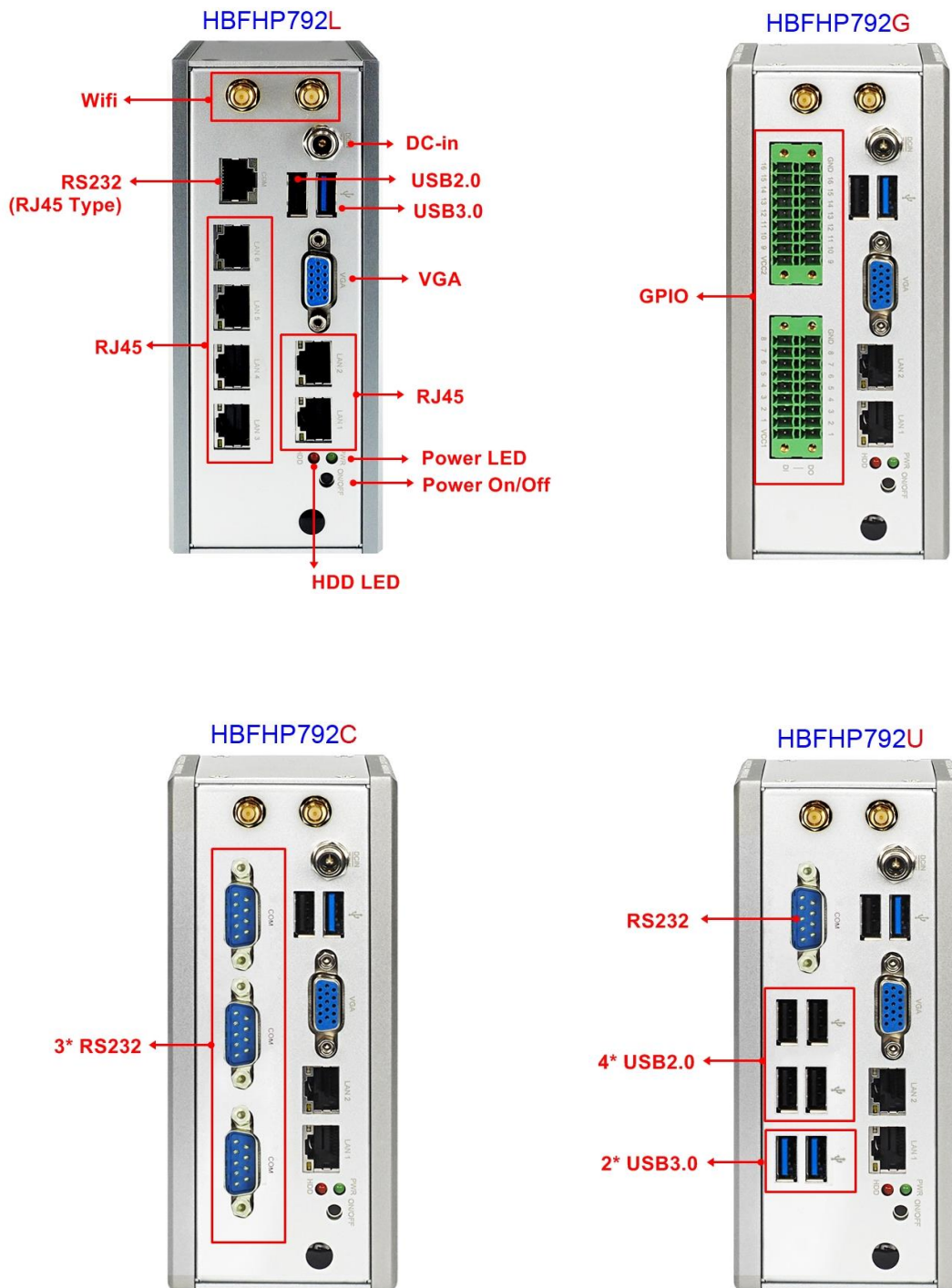
Specifications

MB Model	<ul style="list-style-type: none"> ● JNP792V-2807
Part No	<ul style="list-style-type: none"> ● HBFHP792L-2807-G (non-WIFI) / HBFHP792LW-2807-G (WIFI) ● HBFHP792G-2807-G (non-WIFI) / HBFHP792GW-2807-G (WIFI) ● HBFHP792C-2807-G (non-WIFI) / HBFHP792CW-2807-G (WIFI) ● HBFHP792U-2807-G (non-WIFI) / HBFHP792UW-2807-G (WIFI)
CPU/Chipset	<ul style="list-style-type: none"> ● Intel® Bay Trail N2807 Processor
Memory	<ul style="list-style-type: none"> ● 2GB DDR3L-1333 on board memory
Storage	<ul style="list-style-type: none"> ● 1 * full-size Mini-PCIe slot (for MSATA)
Network	<ul style="list-style-type: none"> ● 2 * Intel® GbE (MB / Intel i210IT)
Expansion slot	<ul style="list-style-type: none"> ● 1 * M.2-2230 slot (for WiFi expansion) WiFi card Support IEEE 802.11a/b/g/n/ac Wireless LAN 2T2R and Bluetooth 4.2 Support 802.11ac 2x2,Wave-2 compliant with MU-MIMO
Standard I/O	<ul style="list-style-type: none"> ● 1 * Power button , 1 * Power LED , 1 * HDD LED ● 1 * USB 3.0 , 1 * USB 2.0 ● 1 * VGA , 2 * RJ45 (support WOL) ● 1 * DC-In jack (Lock type)
Expansion I/O	<ul style="list-style-type: none"> ● HBFHP792L series : 4 * RJ45 , 1 * RS232(RJ45 TYPE) ● HBFHP792G series : GPIO (input - 16 PIN / output - 16 PIN) ● HBFHP792C series : COM 1 ~ 2 / RS232(RS422 / RS485) , COM 3 / RS232 ● HBFHP792U series : 2 * USB 3.0 , 4 * USB 2.0 , 1 * RS232 (RS422 / RS485)
Power Source	<ul style="list-style-type: none"> ● FSP AC 90~240V to DC Adapter / DC12V-3.3A-40W / LV6
Compliance	<ul style="list-style-type: none"> ● CE, FCC, LVD, RoHS
Temperature	<ul style="list-style-type: none"> ● Recommended Operating Temperature: 0~50° C

	<ul style="list-style-type: none"> ● Working environment temperature: -20~70° C ● Storage Temperature: -20~70° C
Dimensions	● 63 (W) x 89 (D) x 149 (H) mm
Packing	<ul style="list-style-type: none"> ● Net Weight: 1.5KG ● Gross Weight: 2.2KG ● Color Box dimension: 152 (W) * 162 (D) * 260 (H) mm
OS Support	Windows 7, Windows 8.1, Windows 10, Linux
Warranty	2 Year limited warranty

*Specifications subject to change without notice, not responsible for typographical errors. Does not include HDD or OS.

External I/O



DIN Rail & Wall Mount

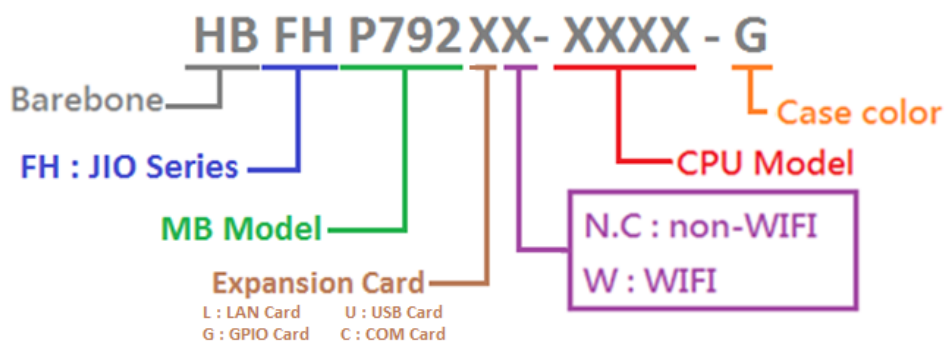


DIN Rail

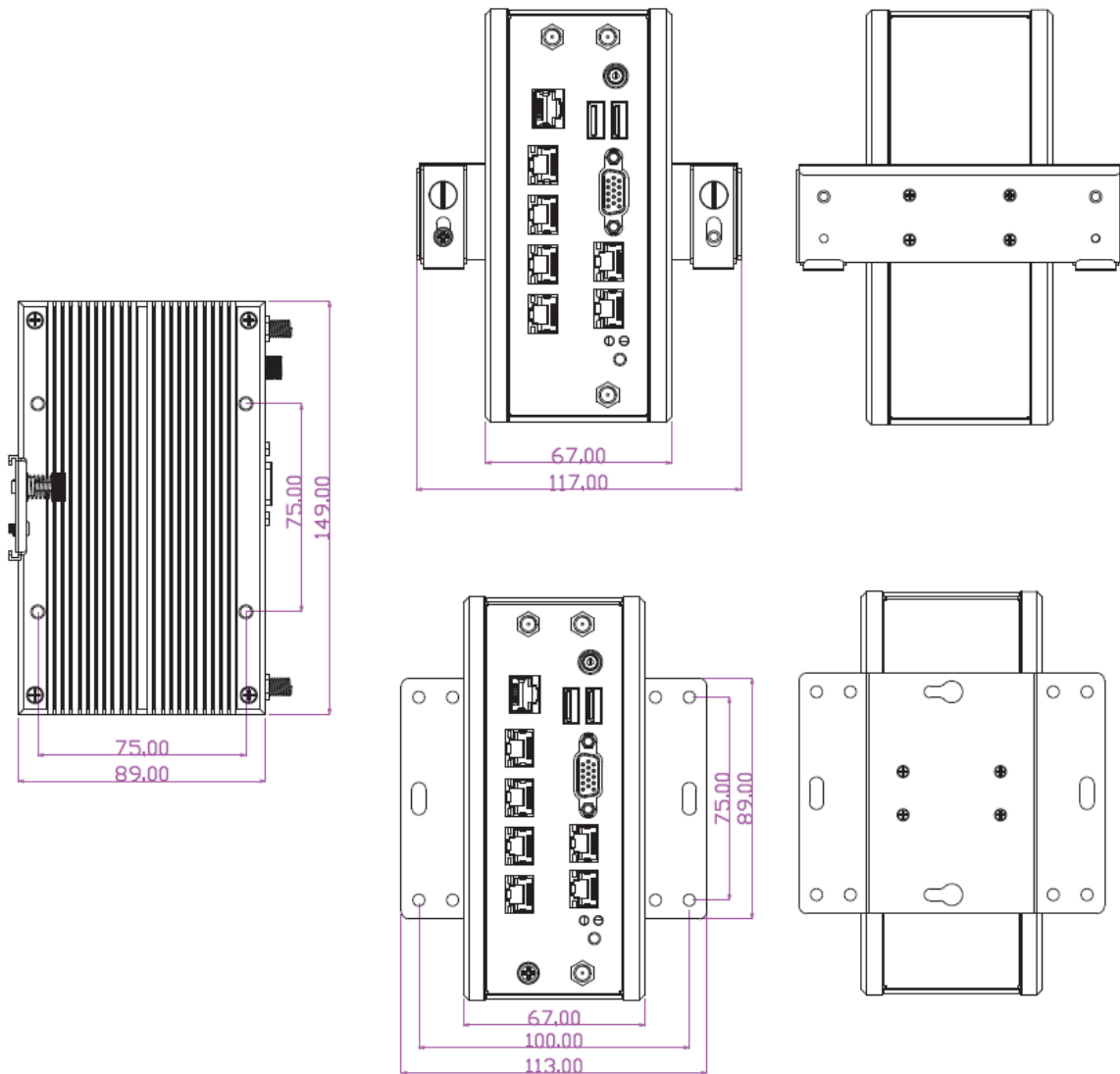


Wall Mount

Part Number Rule



Mechanical Drawings (Unit = mm)



Optional Accessories

Parts Number	Description
	HBFHP792X-XXXX-G
	IPC NP792 M/B User's Manual
	Driver DVD-ROM
	FSP AC 90~240V to DC Adapter / DC12V-3.3A-40W / LV6
	Power cord
	Screw Pack
J05-ANT-AN2400-F	Antenna2G4 -2dBi R-AN2400-5701RS (Optional)

AGL


CONSULTORIA EM MINI-ITX

Especialistas em Soluções Mini-ITX e Sistemas Embedded

 <https://guedeslopes.pt>

 geral@guedeslopes.pt

 ESPAÇO 3D
RUA BRAANCAMP 84, 3 DTO
1250 052 LISBOA

 +351 218 278 341
+351 966 850 776