



# HBFCU792X Series

Intel® Skylake/Kabylake U-series Processor, Dual-channel DDR4 2133MHz up to 32GB



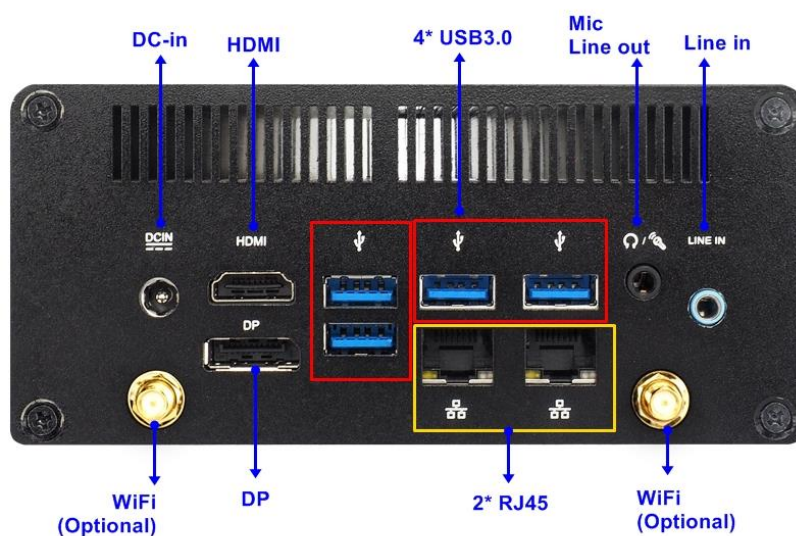
1. Intel® Skylake/Kabylake U-series Processor (15W)
2. 2 \* 260-pin Dual-channel DDR4 2133MHz SODIMM Up to 32 GB
3. 2 \* USB2.0, 6 \* USB3.0, 1 \* COM, 1 \* DP, 1 \* HDMI, 2 \* RJ45, 1 \* Line in, 1 \* Mic+Line out
4. M/B Form Factor : UTX (117x112mm)
5. DC-12V\_40W Adapter



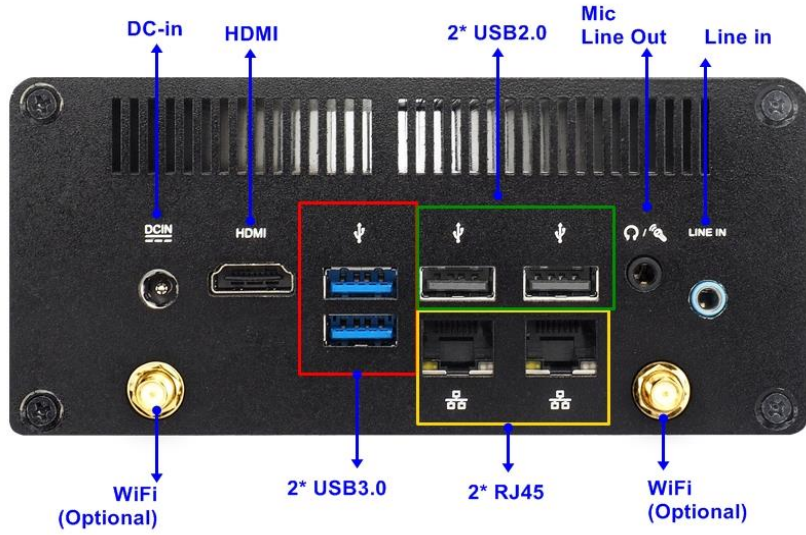
## External I/O

### Rear

#### HBFCU792C(W)-7100-B

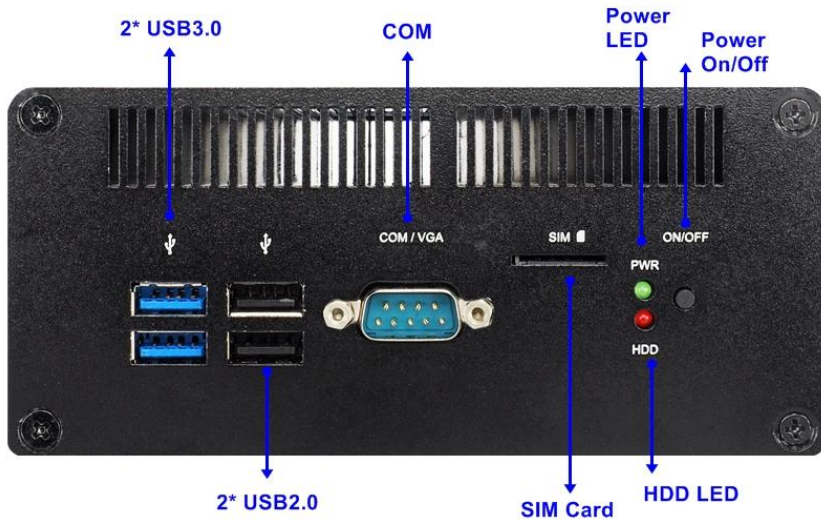


### HBFCU792V(W)-7100-B

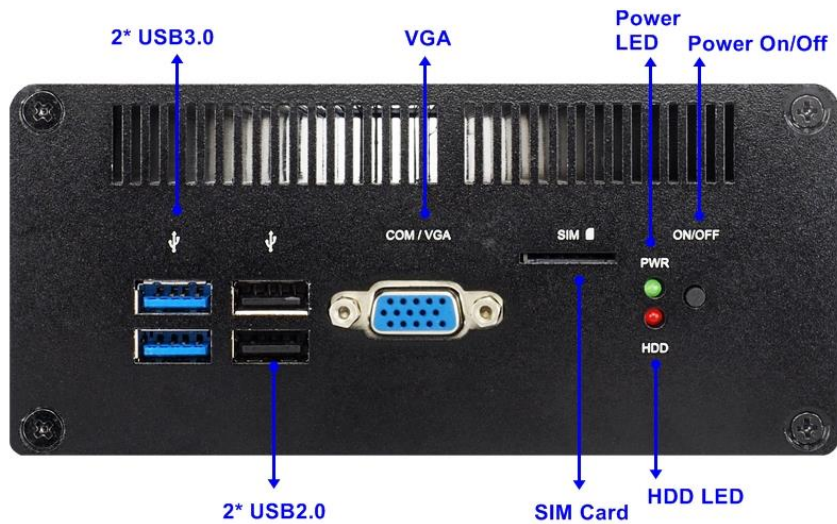


Front

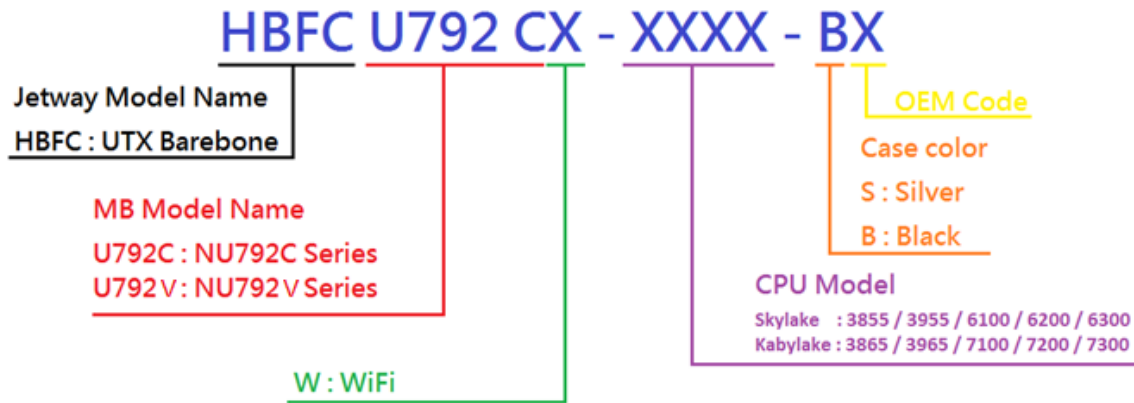
### HBFCU792C(W)-7100-B



### HBFCU792V(W)-7100-B



## Part Number Rule



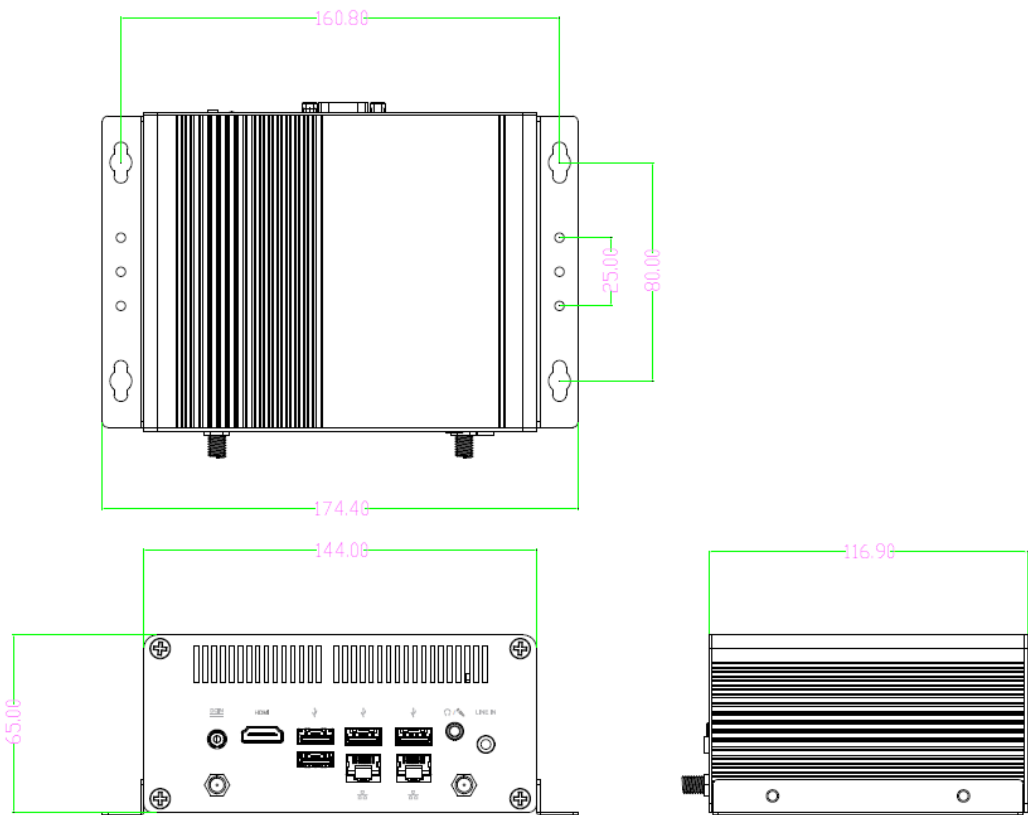
## Specifications

<b>MB Model</b>	<ul style="list-style-type: none"> <li>● JNU792C-7100 _Core i3 Processor</li> <li>● JNU792V-3865 UTX _Celeron Processor</li> </ul>
<b>Part No</b>	<ul style="list-style-type: none"> <li>● <b>COM series:</b> HBFCU792C-7100-B / HBFCU792CW-7100-B</li> <li>● <b>TPM2.0 series:</b> HBFCU792C-7100-T / HBFCU792CW-7100-T</li> <li>● <b>VGA series:</b> HBFCU792V-3865-B / HBFCU792VW-3865-B</li> </ul>
<b>BIOS</b>	<ul style="list-style-type: none"> <li>● AMI 16MB SMT Flash ROM</li> </ul>
<b>CPU/Chipset</b>	<ul style="list-style-type: none"> <li>● Intel® Skylake/Kabylake U-series Processor (MAX : TDP 15W)</li> </ul> <p>Notes : When the system runs, CPU will automatically adjust its working clock frequency according to changing workload.</p>
<b>Memory</b>	<ul style="list-style-type: none"> <li>● 2 * 260-pin Dual-channel DDR4 2133MHz SODIMM Up to 32 GB</li> </ul>
<b>Storage</b>	<ul style="list-style-type: none"> <li>● 1 * 2.5" SATA3 6Gb/s internal drive bay</li> <li>● 1 * Full-size mSATA/mini-PCI Express shared slot</li> </ul>
<b>Network</b>	<ul style="list-style-type: none"> <li>● 1 * Intel i211AT Gigabit LAN, 1 * Intel i219LM Gigabit LAN</li> <li>● 1 * Half-size mini-PCIE slot (for WIFI model installed)</li> </ul>
<b>Rear Panel I/O</b>	<ul style="list-style-type: none"> <li>● 4 * USB 3.0 ports / HBFCU792C-XXXX-B only</li> <li>● 2 * USB 3.0 ports , 2 * USB 2.0 / HBFCU792V-XXXX-B only</li> <li>● 1 * HDMI 1.4 (max. 4096 x 2304@24Hz resolution)</li> <li>● 1 * DP (max. 4096 x 2304@60Hz resolution) / HBFCU792C-XXXX-B only</li> <li>● 2 * RJ45</li> <li>● 1 * Line-in, 1 * Mic+Line out (Realtek ALC662VD)</li> <li>● 2 * Antenna holes (WiFi only)</li> <li>● 1 * DC-In jack</li> </ul>
<b>Front Panel I/O</b>	<ul style="list-style-type: none"> <li>● 1 * Power button</li> <li>● 1 * Power LED , 1 * HDD LED</li> <li>● 2 * USB 2.0 , 2 * USB 3.0</li> <li>● 1 * COM (RS232/422/485) / HBFCU792C(W)-XXXX-B only</li> <li>● 1 * VGA / HBFCU792V(W)-XXXX-B only</li> </ul>
<b>Power Source</b>	<ul style="list-style-type: none"> <li>● FSP AC TO DC Adapter / DC12V_3.3A_40W</li> <li>● AC 90~240V input</li> </ul>

<b>Compliance</b>	CE, FCC, LVDS, RoHS, ErP Ready
<b>Temperature</b>	Operating Temperature: 0~50 °C Storage Temperature: -10-70 °C
<b>Dimensions</b>	144 (W) x 116.9 (D) x 65 (H) mm
<b>Packing</b>	<ul style="list-style-type: none"> <li>● Net Weight: 1.8 KG</li> <li>● Gross Weight: 2.8 KG</li> <li>● Color Box dimension: 250 (W) * 118 (D) * 295 (H) mm</li> </ul>
<b>OS Support</b>	32/64 bit versions of Windows 7, Windows 8.1, Windows 10, Linux
<b>Warranty</b>	2 Year limited warranty

\*Specifications subject to change without notice, not responsible for typographical errors. Does not include HDD or OS.

## Mechanical Drawings (Unit = mm)



## Optional Accessories

Parts Number	Description
-----	HBFCU792X-XXXX-B
	Quick Installation Guide
G03-NU792C-F	IPC NU792C M/B User's Manual
	DVD-ROM
HLMAP-FSP040-F	FSP Adapter 12V 3.3A 40W / LEVEL6
-----	Power cord
HCSFCMWM01B-F	FC Series Wall mount / Black color
LCSCBFDXXX-F	HBFX_Series Screw Pack

J05-ANT-AN2400-F	Antenna2G4 -2dBi R-AN2400-5701RS (WiFi only)
HCS3XXDINRAILPS-F	Din Rail Clip