

BOXER-8640AI

AI@Edge Fanless Embedded AI System with NVIDIA® Jetson AGX Orin™ 32GB

Front View



Rear View



Features

- NVIDIA® Jetson AGX Orin™
- PoE/PSE 802.3af x 4 (Max. 60W)
- RS-232/422/485 x 1, CANBus x 1
- 40-pin Header, Mic-in/Line-out
- M.2 2230 E-Key, M.2 2280 M-Key, 2.5" SATA Drive Bay

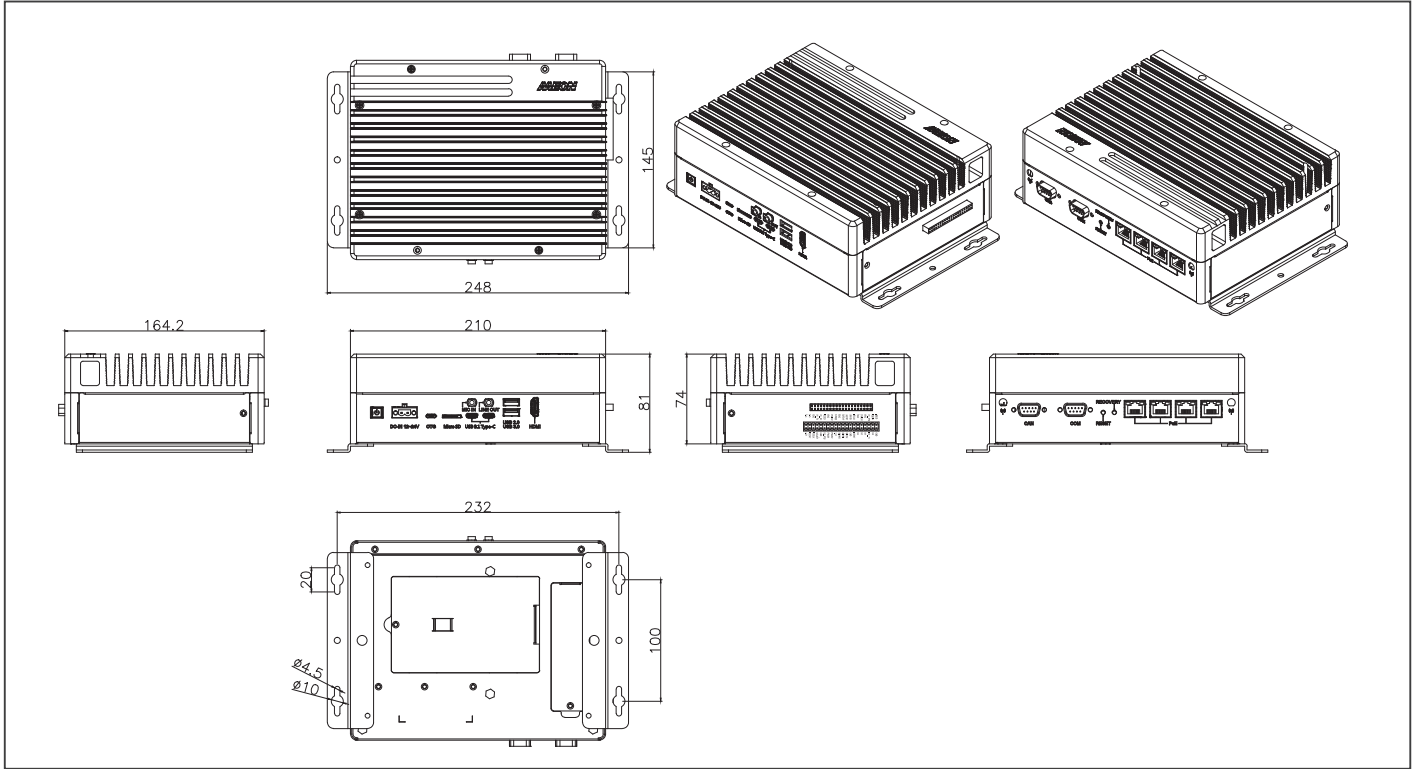


Specifications

System	
AI Accelerator	NVIDIA® Jetson AGX Orin™ 32GB
CPU	8-core ARM v8.2 64bit CPU, 2MB L2 + 4MB L3
System Memory	32GB 256-Bit LPDDR5 205GB/s
Storage Device	64GB eMMC 5.1 Micro SD Card Slot x 1 2.5" SATA Drive Bay x 1 M.2 2280 M-Key x 1
Display Interface	HDMI 2.0 x 1
Ethernet	RJ-45 for GbE PoE/PSE 802.3af x 4 (Max. 60W)
I/O	USB 3.2 Gen 2 (Type-A) x 2 USB 3.2 Gen 2 (Type-C) x 2 RS-232/422/485 x 1 CANBus x 1 Mic-in x 1 Line-out x 1 MicroSD Slot x 1 Micro USB x 1 for OS Flash Recovery Button x 1 Power Button x 1 40-pin Header compliant with NVIDIA Jetson Orin Nano Developer Kit (without CANBus)
Expansion	USB 2.0 Header x 1 (Optional, Circuit Reserved) M.2 2230 E-Key x 1 (Wifi/BT) M.2 2280 M-Key x 1 (NVMe) 2.5" SATA Drive Bay x 1 RS-232/422/485 Pin Header x 1
Indicator	Power LED x 1
OS Support	Linux (NVIDIA Jetpack™ 5.0 or above)
Power Supply	
Power Requirement	DC 12V ~ 24V 2-pin terminal
Mechanical	
Mounting	Wallmount
Dimensions (W x D x H)	8.26" x 6.46" x 2.91" (210mm x 164.2mm x 74mm)
Gross Weight	8.3 lb. (3.76Kg)
Net Weight	6.4 lb. (2.9Kg)
Environmental	
Operating Temperature	-4°F ~ 131°F (-20°C ~ 55°C, according to IEC60068-2 with 0.5 m/s AirFlow)
Storage Temperature	-40°F ~ 158°F (-40°C ~ 70°C)
Storage Humidity	95% @ 40°C, non-condensing
Anti-Vibration	Random, 3.5 Grms, 5 ~ 500Hz
Anti-Shock	50G Peak Acceleration
Certification	CE/FCC Class A

Dimension

Unit: mm



Ordering Information

PART NUMBER	AI SOLUTION	PoE LAN	USB	RS-232/422/485	CANBus	40-PIN HEADER	STORAGE	DISPLAY	MOUNTING	POWER	OPERATING SYSTEM
BOXER-8640AI-JP502E-A1-1010	NVIDIA® Jetson AGX Orin™	4	3.2 Gen 2 x 4	2	1	1	64GB eMMC + MicroSD + 2.5" SATA + M.2 2280 M Key	HDMI x 1	Wall mount	12 ~ 24VDC w/ 2 pin terminal block	Linux (NVIDIA Jetpack™ 5.0 or above)

Packing List

- BOXER-8640AI
- Wallmount Bracket x 2
- Power Connector x 1
- Screw Package x 1

Optional Accessories

- 1255X00066
120W Power Adapter
- 1702031802
Power Cord (US type)
- 1702031803
Power Cord (European Type)
- 170203180E
Power Cord (Japanese Type)