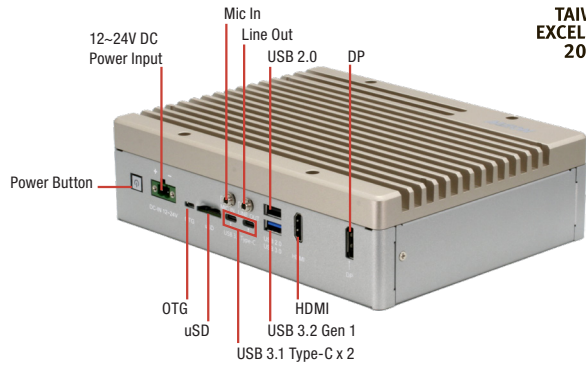


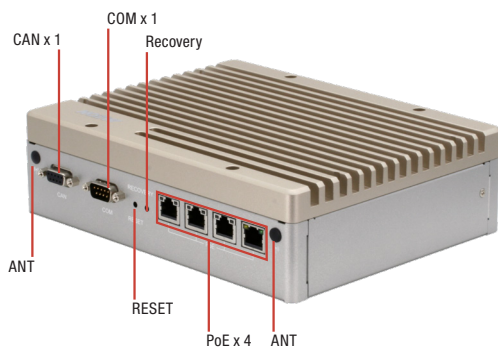
# ▶ BOXER-8240AI

AI@Edge Fanless Embedded Box PC with NVIDIA AGX Xavier

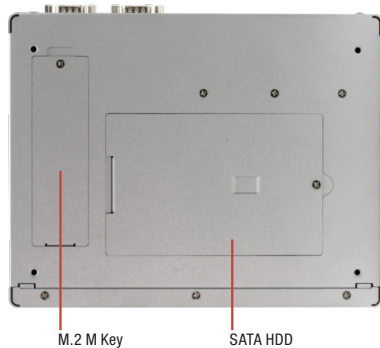
Front View



Rear View



Bottom View



## Features

- 512-core Volta GPU with Tensor Cores
- Support RJ-45 x 4 for PoE (802.11af, total 60W)
- Support DB-9 x 1 for RS-232/422/485, CANBUS x 1
- Support GPIO 40 pins, Mic in and Line out
- Support M.2 E key, M key and SATA storage

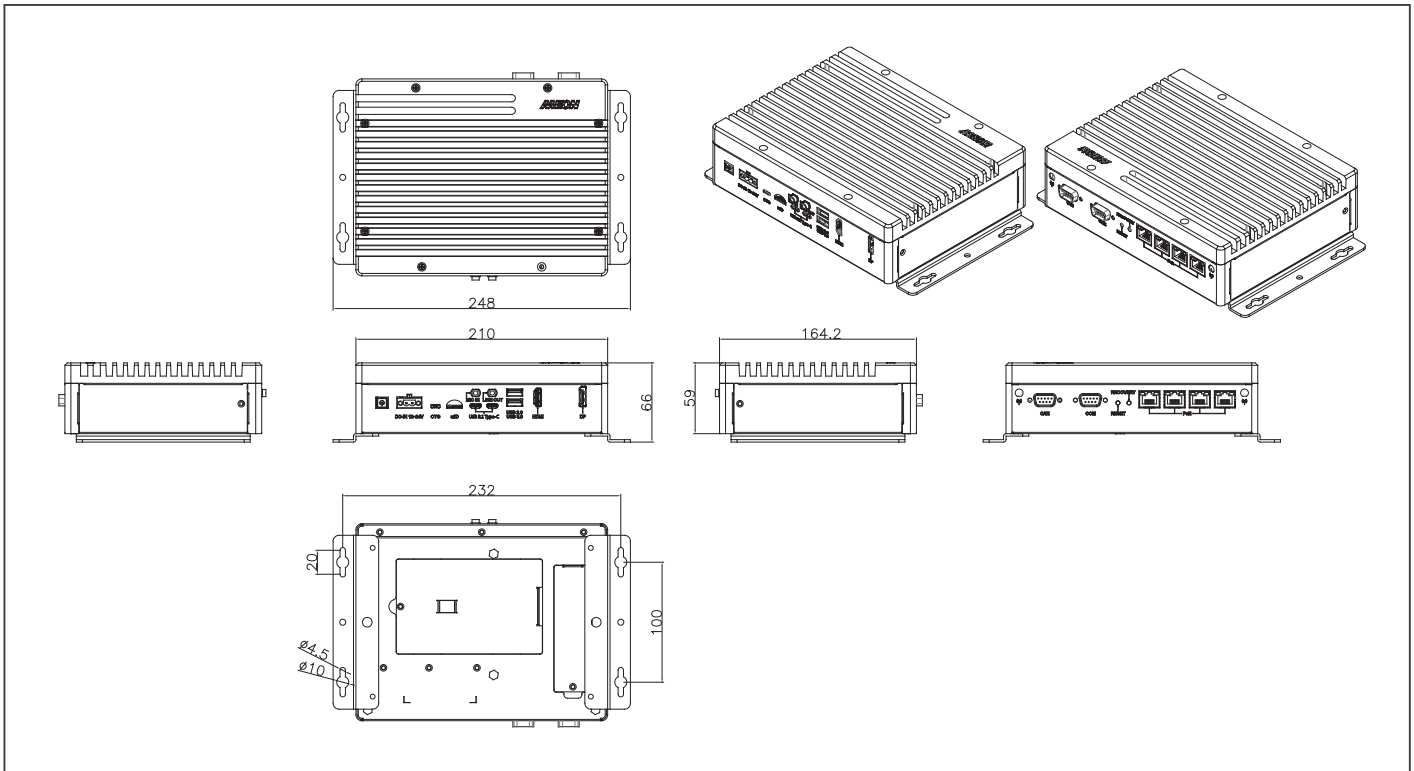


## Specifications

System	
AI Accelerator	Nvidia® AGX Xavier
CPU	8-core ARM v8.2 64bit CPU, 8MB L2 + 4MB L3
System Memory	32 GB 256-Bit LPDDR4 x 1 137 GB/s
Storage Device	32GB eMMC 5.1 Micro SD card slot 2.5" SATA drive bay M.2 Key M 2280
Display Interface	HDMI 2.0 x 1
Ethernet	10/100/1000 Base-TX with IEEE 802.11 af PoE LAN x 4
I/O	PoE x 4 (IEEE 802.af, total 60W) USB Type A x 1 for USB 3.2 Gen 1 USB Type C x 2 for USB 3.2 Gen 1 USB Type A x 1 for USB 2.0 RS-232/422/485 x1 CANBUS x 1 HDMI 2.0 x1 DP 1.4 x 1 Mic-in x 1 Line-out x 1 MicroSD slot x 1 Micro USB x 1 for O.S Flash Recovery button x 1 Power button x 1
Expansion	Expansion header 40-pin GPIO compliance with Nvidia Dev Kit 40 pins (4 pins CANBUS occupied) USB 2.0 header x 1 (Optional, circuit reserved) M.2 Key E 2230 x 1 for WiFi/Bluetooth (PCIe[x1] + USB) M.2 Key M 2280 x 1 (PCIe[x4]) SATA x 1 RS-232/422/485 pin header x 1
Indicator	Power LED x 1
OS Support	Linux (AAEON AClinux 4.9) Linux (NVIDIA Jetpack 4.5)
Power Supply	
Power Requirement	DC 12V~24V 2-pin terminal
Mechanical	
Mounting	Wallmount
Dimensions (W x D x H)	8.26" x 6.46" x 2.32" (210mm x 164.2mm x 59mm)
Gross Weight	6 lbs (2.72kg)
Net Weight	4.23 lbs (1.92kg)
Environmental	
Operating Temperature	14°F ~ 131°F (-10°C ~ 55°C, according to IEC60068-2 with 0.5 m/s AirFlow)
Storage Temperature	-40 °F ~ 158°F (-40°C ~ 70°C)
Storage Humidity	95% @ 40°C, non-condensing
Anti-Vibration	Random, 3 Grms, 5 ~ 500Hz
Anti-Shock	—
Certification	CE/FCC class A

## Dimension

Unit: mm



## Ordering Information

Part Number	AI SOLUTION	POE	USB	RS-232/422/485	CANBUS	STORAGE	EXPANSION	DISPLAY	AUDIO	MOUNTING	POWER	OPERATION TEMP	OPERATION SYSTEM
BOXER-8240AI-A1-1010	NVIDIA AGX Xavier	4	USB 3.2 Gen 1 x 2 + 2 (TypeA+C)	1	Dual Canbus in one Connector	eMMC / M.2 M Key / Micro-SD / 2.5" SATA	M.2 E Key 40-pin DIO	HDMI x 1 DP x 1	MIC-in x1 LINE-OUT x1	Wallmount	DC 12V~24V	-10°C ~ 55°C	ACLinux
BOXER-8240AI-A2-1010	NVIDIA AGX Xavier	4	USB 3.2 Gen 1 x 2 + 2 (TypeA+C)	1	Dual Canbus in one Connector	eMMC / M.2 M Key / Micro-SD / 2.5" SATA	M.2 E Key 40-pin DIO	HDMI x 1 DP x 1	—	Wallmount	DC 12V~24V	-10°C ~ 55°C	ACLinux
BOXER-8240AI-A3-1010	NVIDIA AGX Xavier	4	USB 3.2 Gen 1 x 2 + 2 (TypeA+C)	1	Dual Canbus in one Connector	eMMC / M.2 M Key / Micro-SD / 2.5" SATA	M.2 E Key 40-pin DIO	HDMI x 1 DP x 1	MIC-in x1 LINE-OUT x1	Wallmount	DC 12V~24V	-10°C ~ 55°C	NVIDIA Jetpack 4.5
BOXER-8240AI-A4-1010	NVIDIA AGX Xavier	4	USB 3.2 Gen 1 x 2 + 2 (TypeA+C)	1	Dual Canbus in one Connector	eMMC / M.2 M Key / Micro-SD / 2.5" SATA	M.2 E Key 40-pin DIO	HDMI x 1 DP x 1	—	Wallmount	DC 12V~24V	-10°C ~ 55°C	NVIDIA Jetpack 4.5

## Packing List

- BOXER-8240AI

## Optional Accessories

- 1255X00035  
120W Power Adapter
- 1702031802  
Power Cord (US type)
- 1702031803  
Power Cord (European Type)
- 170203180E  
Power Cord (Japanese Type)