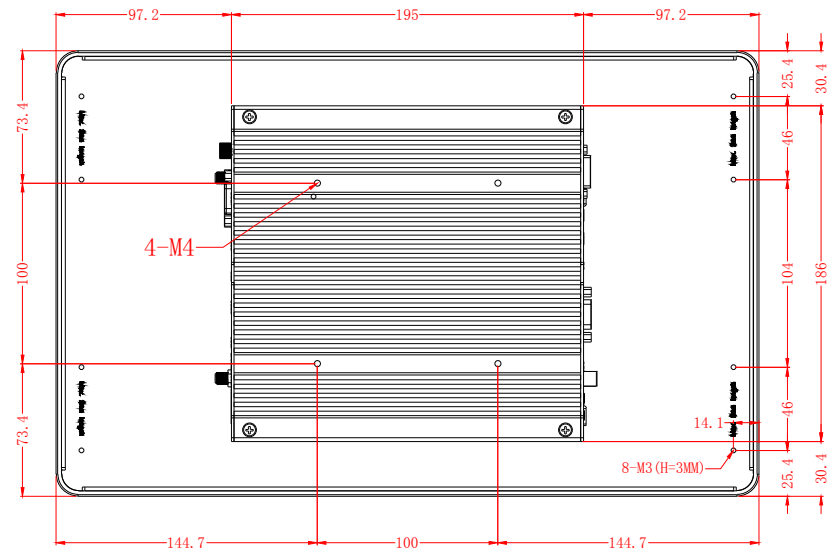
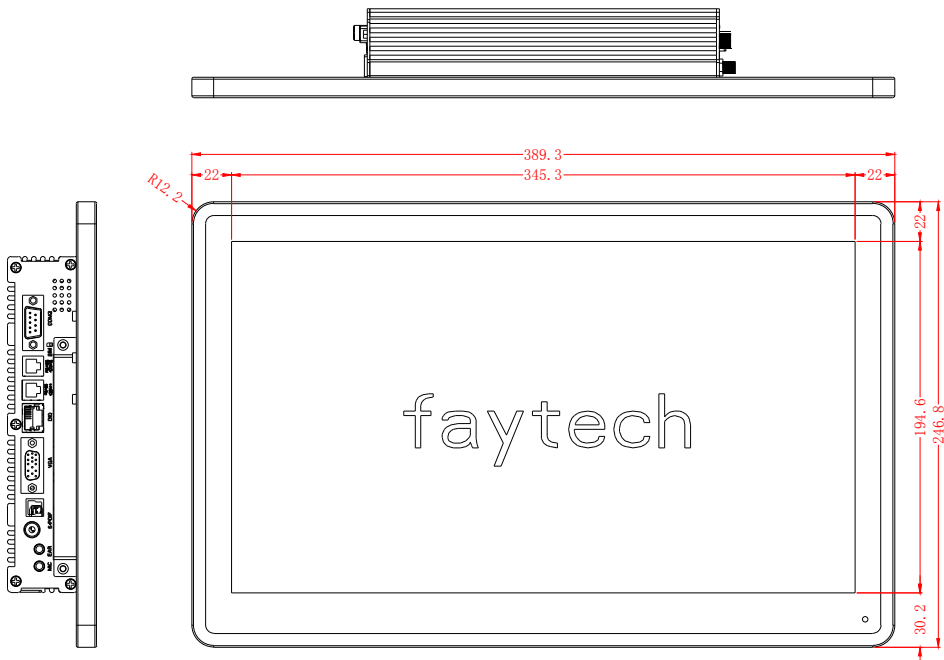



6		7		8	
No.	Rev.	Revision Record		Date	
△					



Tolerance: $\pm 1MM$

General Tolerance	ISO 2768-1c	 深圳市飞帆泰科技有限公司 SHENZHEN FEIFANTAI TECHNOLOGY CO., LTD			
UNIT	mm	Description		15.6 PC	
Scale	1:1	Designed	jiangfan	Date	2019-12-26
REV.	A0	Checked		Date	
		Approved		Date	