

**Add A
Back-Up
Pump In Minutes**



c-change inc

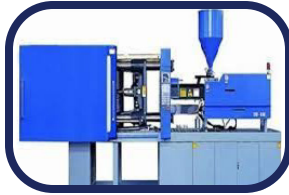
Off-line Filtration / On-line Loop Adapters

On-line Loop Adapters

Keeping hydraulic equipment ON-LINE and functional can be challenging.

Industrial hydraulic equipment can experience a power outage, electric motor problem or hydraulic pump failure. When this happens, the machine becomes inoperable.

Most mobile hydraulic equipment can't be operated when the engine or the hydraulic pump fails.



Introducing c-change inc., Manufacturer of the RAM (Reservoir Access Manifold), an On-line loop adapter.

Requiring no fabrication, our adapters mount to hydraulic reservoirs using the existing breather openings and supply large down tubes into the hydraulic reservoir terminating below the fluid level. Having access to the reservoir fluid makes the attachment of a back-up hydraulic pump possible. Using a portable hydraulic pump driven by an electric, gas or diesel motor, air compressor or nitrogen bottle, equipment stays ON-LINE.



DC motor



AC motor



Gas engine



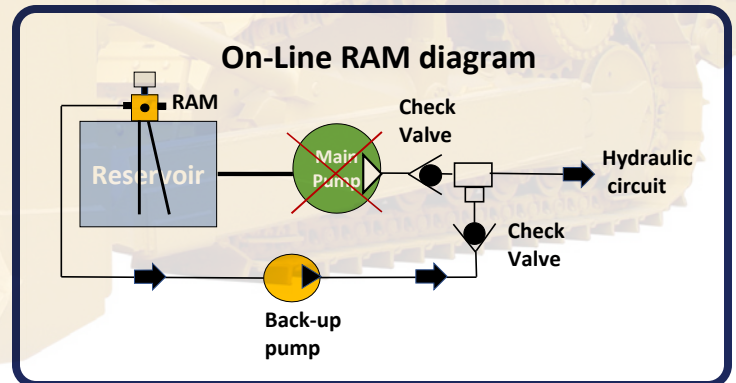
Air compressor

The pump can draw fluid from the machine's reservoir and provide flow to the disabled equipment's hydraulic circuit.

Pre-plumbing a machine's hydraulic system before a breakdown occurs makes the conversion to the back-up pump simple and takes only minutes.

Now when a primary failure has occurred, molding presses can be opened, cranes and outriggers can be retracted, self-propelled hydraulic machines can be moved.

Repair facilities can pressure test and operate hydraulic machines after repairs are performed without an operating engine or main hydraulic system pump.



***Never be hydraulically locked out again. Remain ON-LINE and in control of your equipment.
RAMs increase production, help the environment and simplify maintenance***

11337 Trade Center Drive #300 | Rancho Cordova, CA 95742
www.c-changeinc.com | sales@c-changeinc.com

916 | 752.2984