

THE  
**TENT**



business & pleasure co.

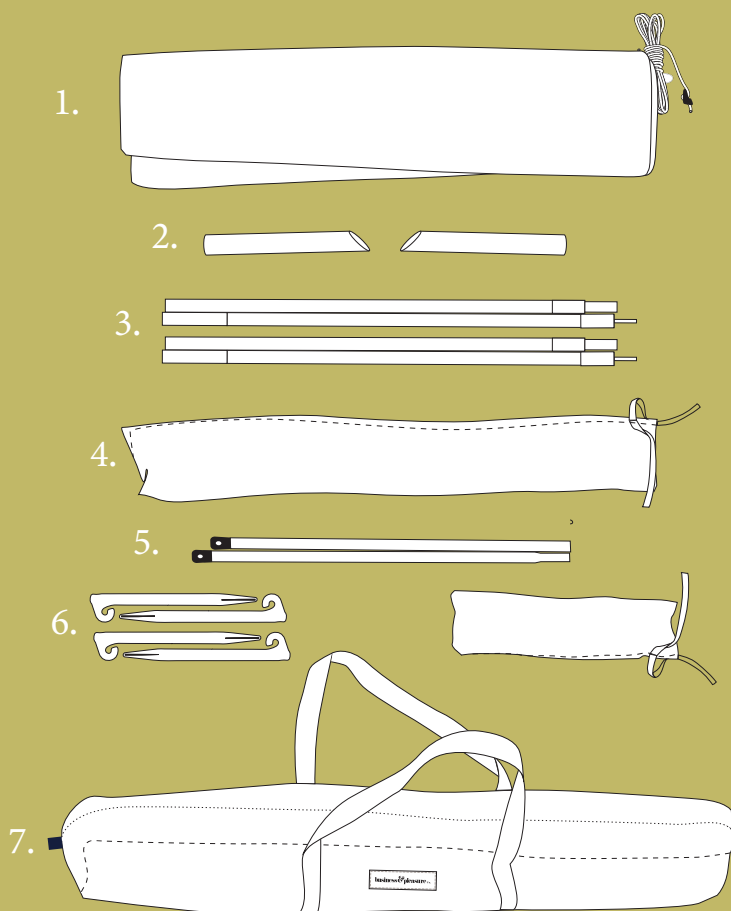


**We've Got  
You  
Covered.**

Our tents are made with the finest quality materials and attention to detail, ensuring they are as beautiful as they are practical. Enjoy 6' of shade for the whole family when open & then pack down into a matching carry bag to transport to and from the beach with ease.

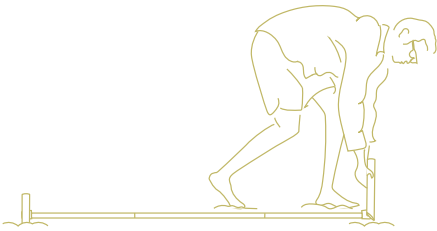
# CONTENTS

1. TENT CANOPY
2. 2 X GUIDE PIPES
3. 2 X WOODEN UPRIGHT POLES
4. POLE BAG
5. METAL CROSS BAR
6. 4 x STAKES AND BAG
7. CARRY BAG



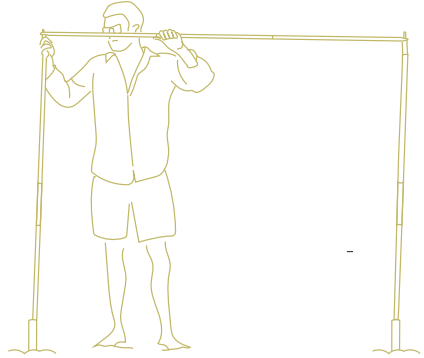
# SIMPLE SET UP

## IN THE SAND OR SOFT GROUND



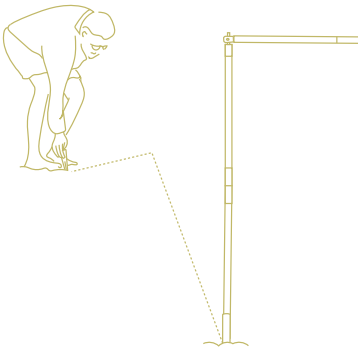
### 1. MEASURE GUIDE PIPES

Click together metal cross bar and place on ground, insert guide pipes at each end



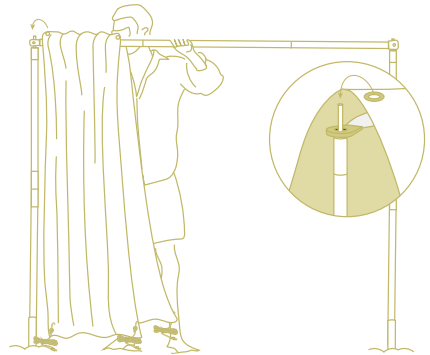
### 2. PUT FRAME TOGETHER

Click together the upright poles and place in guide pipes with spike at the top. Place each end of the metal cross bar over the spikes



### 3. INSERT PEGS

Take 3 big steps back from the upright pole and one big step away from the tent making an L shape.



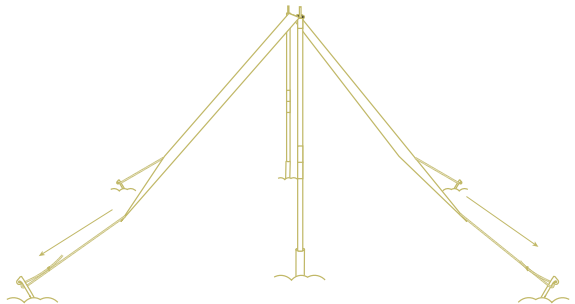
### 4. PLACE THE CANOPY

Lift the Canopy by the middle and hang over cross bar, place middle eyelet over the upright spike on one side. Slide the canopy and attach the eyelet on the otherside.



### 5. CHECK ROPES & HOOK ON PEG

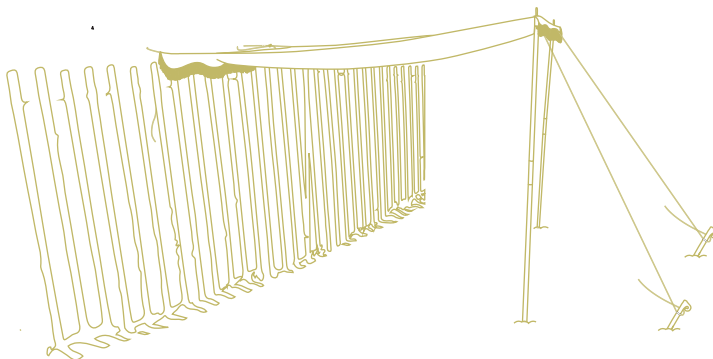
Check ropes are securely tied to the canopy. Pull out adjusters to create a loop and loop around peg.



### 6. TIGHTEN ROPES

Slide the black part up to tighten, go around & tighten as needed. Move pegs as needed to increase span. Enjoy!!

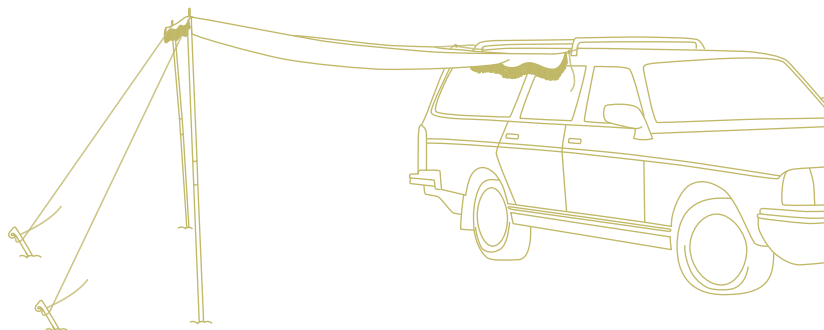
# ALTERNATE SET UPS



## SET UP ON THE BEACH, PARK OR BACK YARD FENCE

Tie one side of your tent to the fence.

Insert the upright poles & cross bar into the furthestmost eyelet holes and secure with pegs.



## SET UP ON YOUR CAR

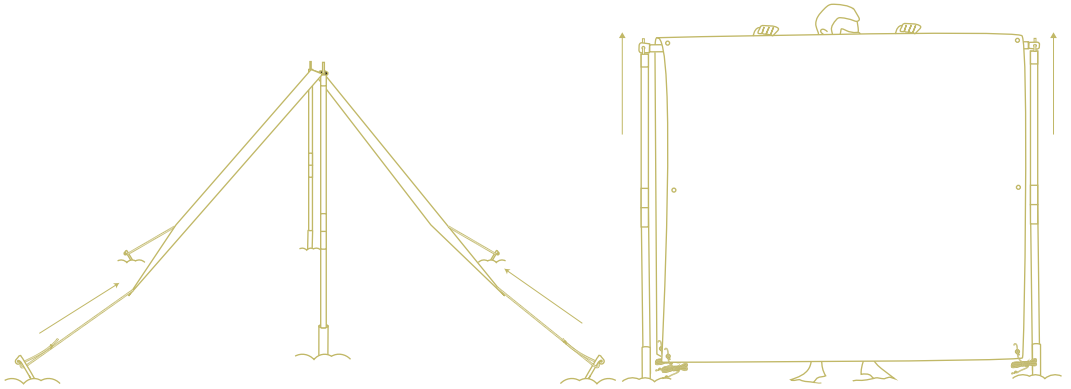
Tie one side of your tent to your roof-racks or through the windows.

Insert the upright poles & cross bar into the furthestmost eyelet holes and secure with pegs.

# GET CREATIVE!

Hook the tent onto the side of your house, RV, poles, full coolers and the list goes on!

# PACK DOWN



## 1. LOOSEN ROPES & REMOVE PEGS

Place the inside the peg bag

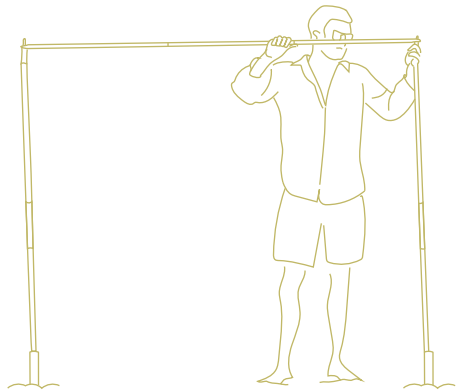
## 2. REMOVE CANOPY

Remove eyelet from upright spike and lift the canopy off the cross bar, keeping it folded in the middle.



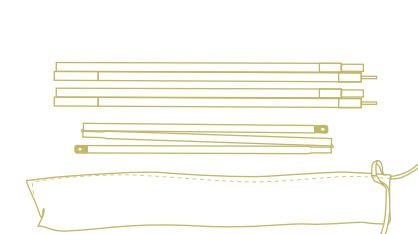
## 3. FOLD & ROLL CANOPY

Fold canopy eyelet to eyelet, then roll and wrap ropes around. Place in carry bag



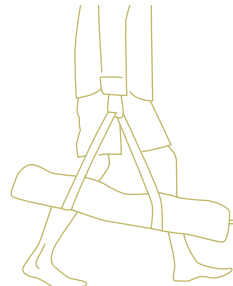
## 4. REMOVE CROSS BAR

Un-click crossbar and take down the upright poles



## 5. PUT POLES IN POLE BAG

Put poles in the pole bag



## 6. PACK & CARRY

Pack the canopy, peg bag, pole bag and guide pipes into the tent bag and off you go!

# CARE

## IMPORTANT INFORMATION!

### **Please read the following before use of your B&PCo Tent**

Although providing shade from the direct sun, reflections from sand and water can still expose you to harmful UV rays!

It is advised that you also use sunscreen, hat and glasses when outside - especially around white sand or water!

Set up and use of a Business & Pleasure Co product must follow the "Set Up" instruction guide on the back of this article.

Business & Pleasure Co. are not responsible for the miss use or poorly set up products that lead to damage or harm to any persons or property.

For all warranty information, please visit [www.businessandpleasureco.com](http://www.businessandpleasureco.com)

## CARE INSTRUCTIONS.

1. Always use your tent as per the set up instructions
2. To maintain and extend the life of your product keep it dry and clean of any salt, sand or chlorine or chemical residue, keep it in its carry bag when in transit or storage.
3. If your cabana gets wet, dry with soft towel and allow fringe to drip dry in the shade before packing way.
4. Reduce unnecessary and excessive exposure to direct sunlight by putting away when not in use.
6. Maintain the function of your connection by regular use and service. Service your connection be regular cleaning and unsuring salt and sand particles are removed before storage. In some cases a greasing agent (like WD40) is recommended if storing for extended periods of time.  
Note: Avoid getting greasing agent on fringe of canopy.



# FEATURES



## VERSATILE

LARGE AND STYLISH, THE TENT CAN BE SET UP ALMOST ANYWHERE. BEACH, PARK OR POOLSIDE.



## EXTRA SECURE

GUIDE PIPES AND PEGS FOR FIXING POLES TO THE GROUND.



## PREMIUM CANVAS

UV & WATER TREATED CANVAS  
COTTON BULLION FRINGE

### *DIMENSIONS*

*SIZE WHEN SET UP: 6' x 6' Wide x 6' High / 1.8m x 1.8m x 1.8m H*  
*SIZE IN CARRY BAG: 36" L x 6" W x 3" D / 90cm L x 15cm W x 7.5cm D*

## GOT QUESTIONS?

Email [orders@businessandpleasureco.com](mailto:orders@businessandpleasureco.com)  
Or visit [www.businessandpleasureco.com](http://www.businessandpleasureco.com)