

USER GUIDE

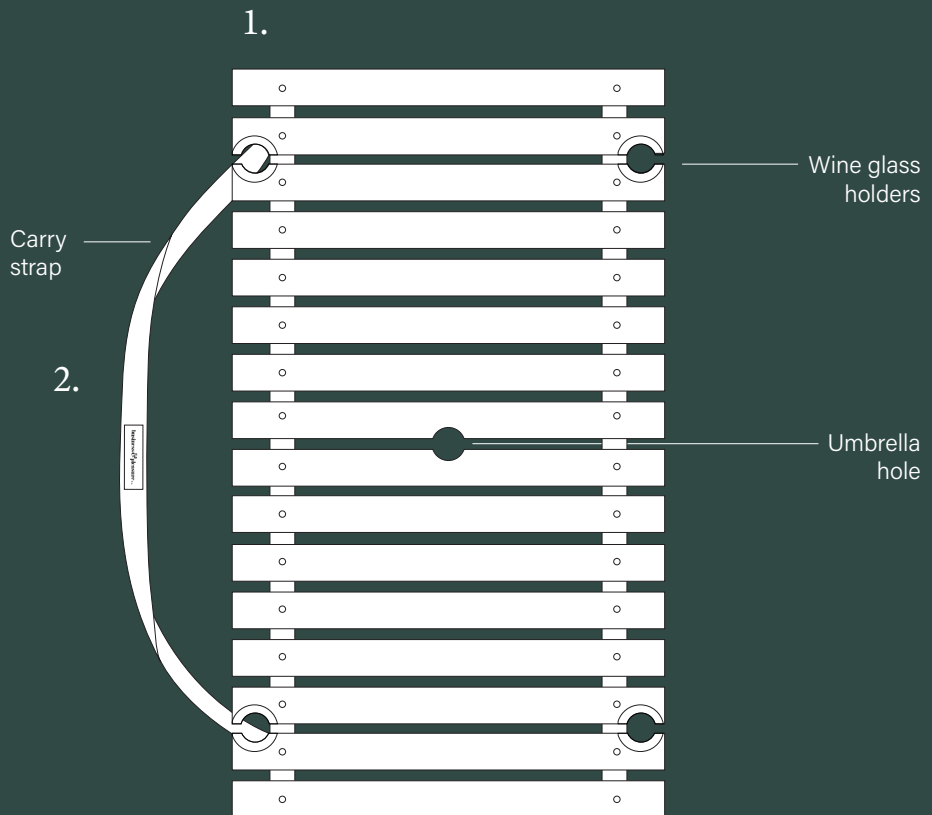
# FOLDING TABLE



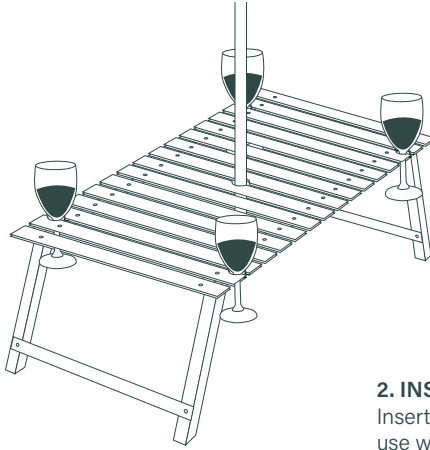
business & pleasure co.™

# CONTENTS

1. FOLDING TABLE
2. CARRY STRAP



# SIMPLE SET UP



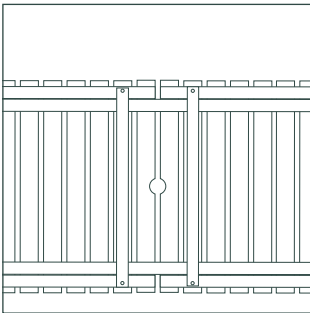
## 1. FOLD OUT LEGS

Fold out legs all the way, making sure table is stable before placing any weight on it

## 2. INSERT UMBRELLA

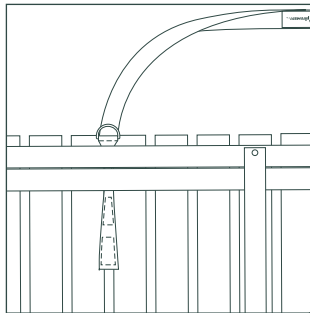
Insert umbrella pole through hole, and use wine glasses in the wine holders. Enjoy!

# ATTACHING STRAP



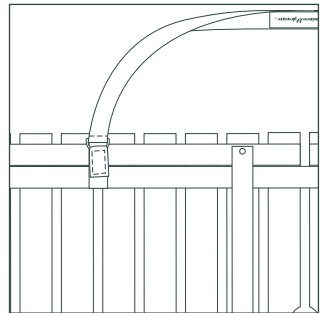
## 1. LAY TABLE UPSIDE DOWN

Fold the legs in and lay table flat on the ground



## 2. THREAD STRAP

Thread the carry strap through the gaps as shown, velcro facing down



## 2. SECURE VELCRO

Loop the strap through the d-ring and secure velcro. Repeat for both sides, then carry!

## CARE

1. Always use your table as per the set up instructions
2. To maintain and extend the life of your product keep it dry and clean of any salt, sand or chlorine or chemical residue
3. If your table gets wet allow to dry before packing away.
4. Reduce excessive exposure to the elements by storing away when not in use

# FEATURES



## PORTABLE

OUR TABLE CAN BE SET UP ALMOST ANYWHERE. BEACH, PARK OR POOLSIDE.



## CARRY STRAP

INCLUDES A COTTON CARRY STRAP FOR EASY TRANSPORT.



## PREMIUM HARDWOOD

MADE USING THE SAME TEAKWOOD AS OUR CHAIRS.

### *DIMENSIONS*

*SIZE WHEN SET UP: 40cm W x 71.5cm L x 34cm H / 16" W x 28" L x 12.25" H*

## IMPORTANT INFORMATION!

### **Please read the following before use of your B&PCo Table**

Set up and use of a Business & Pleasure Co product must follow the "Set Up" instruction guide in this booklet

Business & Pleasure Co. are not responsible for the misuse or poorly set up products that lead to damage or harm to any persons or property.

## GOT QUESTIONS?

Email [orders@businessandpleasureco.com](mailto:orders@businessandpleasureco.com)

Or visit [www.businessandpleasureco.com](http://www.businessandpleasureco.com)