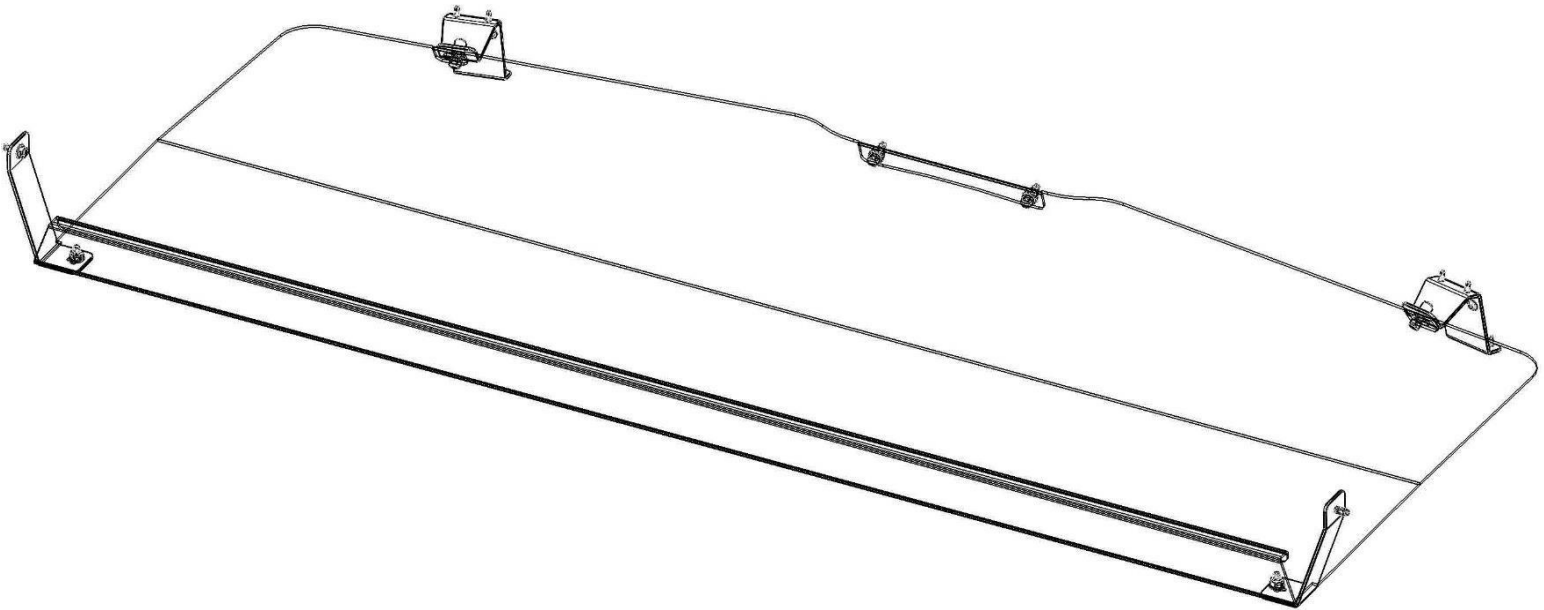




Installation Guide

2021 - Present Ford Transit Overhead Shelf
Without Factory Overhead Tray



Installation Guide – 2021+ Present Ford Transit Overhead Shelf
Without Factory Overhead Tray

Provided

- 1 Over Head Main Shelf
- 2 Front Mounting Brackets
- 2 Rear Mounting Brackets
- 2 1/4" x 5/8" Hex Thread-Cutting Bolts
- 6 1/4" x 3/4" Hex Head Flange Bolts
- 6 1/4" Nyloc Flanged Nuts
- 4 Push-In Barbed Rivets
- 12 #8 x 1/2" Self Taping Screw

Needed

- 1- 7mm Socket
- 1- 8mm Socket
- 1- 3/8" – Socket
- 1- T25 Torx Socket
- 1- 7/16" Wrench
- 1- Phillip's head
- 1- 1/4" Drill
- 1- Small Flat Head Screw Driver
- 1- Saw/Knife (*Cut Foam*)
- 1- Wire Cutter
- 1- C-Clamp
- 1- Silver Pen/Marker

Please Read instruction completely before beginning.



Cut Head Off Rivet

Figure 1



Remove the Black Foam
On both Sides

Figure 2



Push Tab With Flathead Screw
Driver

Figure 3

- 1) Open up the package and check that all the parts are there according to the list of parts on the lower left of the BOM Sheet. If anything is missing or you are not sure please give us a call.
- 2) **Remove Black Foam** - Use wire cutters to cut the head off the 2 black Plastic Rivets holding the foam on. Do not try to pull on the foam to remove them, the foam will easily break. Note: *The Kit comes with replacement Rivets. (Figure 1 & 2)*
- 3) **Removing Light Housing Cover** - Using a Flat Head Screw Driver, slightly pry apart the overhead Light housing on the lower part just beyond the start of the curve. *(Figure 3)*

Installation Guide – 2021+ Present Ford Transit Overhead Shelf
Without Factory Overhead Tray



Disconnect everything attached

Figure 4



Remove Bolt inside Light Housing

Figure 5



Remove the Side Screws

Figure 6

- 4) Once The Light Housing Cover is Removed, use a 7mm Socket wrench to Remove the Bolt up under the Light Cover Housing. (Figure 4&5)
- 5) Disconnect all the wire plugs from the housing so you can Remove the Headliner. Remember how many plug you discounted so you don't forget any plugs when you reinstall the Headliner. (Figure 4&5)
- 6) **Remove Side Headliner Bolts** – Access the bolt by removing The Plastic Cover. Using an 8mm Socket Wrench, remove the side bolt on each Side. (Figure 6)



Remove Cap to Visor

Figure 7



Remove Bolts & Visors

Figure 8


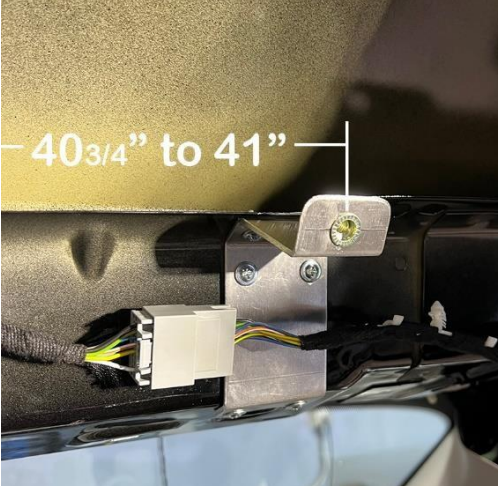



Remove Headliner

Figure 9

Installation Guide – 2021+ Present Ford Transit Overhead Shelf
Without Factory Overhead Tray

- 7) **Remove Sun Visor** – Using small flat head screw driver, pry off the Visor cap to access the bolt to the visor. Using a T25 torx remove the bolts to the Visors and remove Visor. Repeat for both sides. *(You don't need to remove the inner Visor Clip)*
- 8) **Remove Headliner** – Pull down the rear of the headliner with will allow the Headliner to be carefully removed, try not to bend the Headliner as you remove it because it will create a Crease in it. Set the liner aside and continue to next step.

		
<p>Align Brackets w/ Body Hole / Feature</p>	<p>Front Mounting Brackets</p>	<p>Tap/Install Side Brackets (Optional: if you have Tap)</p>
<p>Figure10</p>	<p>Figure 11</p>	<p>Figure 12</p>

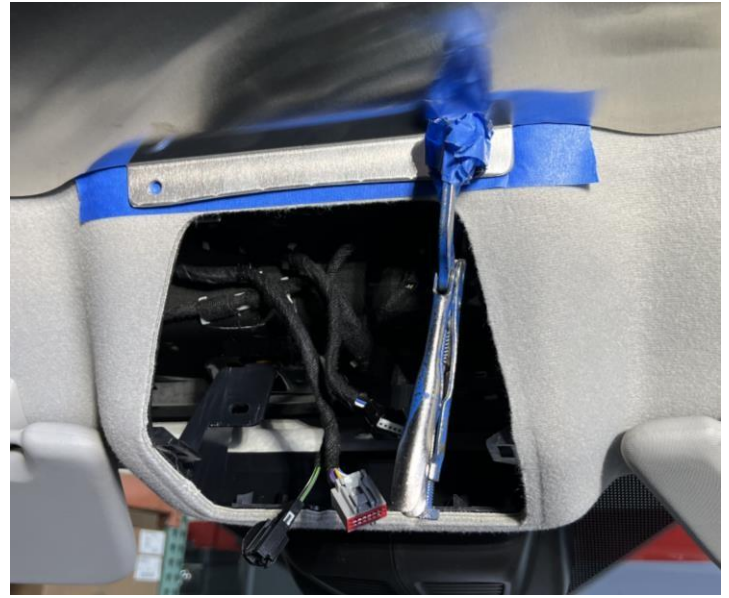
- 9) **Installing Front Brackets** (368055)– On the Front Cross Pillar, align the Curve cut in the Brackets to the Extruding form & hole in the body. Use the 12pc #8 Self Tapping Screws (642001) to install. It is critical that these are installed so that the dimension from the 2 gold rivet nuts measure 40 ³/₄" to 41" Center line, so that it will match up to the holes in the overhead shelf once installed. (Figure 10 & 11)
- 10) **Reinstall headliner** - Once the Front Brackets are installed, you can reinstall the Factory headliner. Reinstall all hardware from the beginning steps. Once again, be careful not to bent and create a crease in the headliner as you install it. Leave the Light housing Cover off for next steps.
- 11) **Install Rear Brackets** (368056)–, Use the 1/4" x 5/8" Tread-Cutting Bolt (642130) to install the Rear Side Brackets. When installing, it is recommended to use cutting oil or grease and go slow. Be very careful not to break the bolt from over tightening it, if it becomes too tight, back out the bolt and then retry. This may take a few times to get it all the way in. *(You can use a 1/4 -20 tap if you have one)* Note: Leave the brackets slightly loose Lose until you install the main shelf. (Figure 12)

Installation Guide – 2021+ Present Ford Transit Overhead Shelf
Without Factory Overhead Tray



Hold Up Shelf into place and set on Rear Mounts

Figure 13



Clamp the Center into place.

Figure 14

- 12) **Installing Main Shelf** - Once, the Headliner and all the Brackets are installed, you can fit the shelf into place. Make sure the shelf is pushed up as you can which should leave about 1/4" from the Center mounting tab to the cut out of the Light housing Cover. Use a C-Clamp to hold in place while you work. (Figure 13 & 14)
- 13) On the Rear Mounting Brackets, you can loosely install the hardware, to help align the shelf into its correct positions. You should still be able to move around the shelf slightly as you align it to the front Mounting Brackets.

Installation Guide – 2021+ Present Ford Transit Overhead Shelf
Without Factory Overhead Tray

14)



Find the Mounting Bracket Hole/Threads, Behind the headliner.

Figure 15



Clamp the Center into place.

Figure 16

- 15) **Finding the Front Mounting Location**, (Note: This part can be a bit tricky) While pushing up on the corner of the shelf, use a small screw Driver and Poke a hole through the headliner and feel around for the front mounting hole (Gold Nut). If it's not aligned, angle the screw driver around until you find the hold for the front mounting Bracket. (It is usually higher than you think.) (Figure 15)
- 16) Once you can push the screw Driver all the way through and it aligns with the mounting position, use a 3/8" socket wrench to install the 1/4"-20 x 3/4" Hex Side Front Mounting Bolts (642083). Repeat this step for the other side.
- 17) **Install Center Mounting Bolts** – After the 2 outside bolts are tight, drill a 1/4" Hole through the headliner and install the 2pcs 1/4"-20" x 3/4" (642083) With the 2 nuts (642130) (Figure 16)
- 18) You can then tighten down and check that all the hardware is tight and on all the mounting brackets and for the headliner fasteners you have removed. Then you can reinstall the Center Light Housing. Be sure to install all the plugs that where plugged in before.

Installation Guide – 2021+ Present Ford Transit Overhead Shelf
Without Factory Overhead Tray

19)



Press the Foam into the bracket so it leaves an indentation

Figure 17



Mark about 2-1/2" to Cut down

Figure 18



Cut the foam with a knife
poke out with a screw driver

Figure 19

20) **Cut The Foam.** Place the foam in to place Vertically up against the bracket as shown in Figure 7. You can push the foam firmly into the bracket so it leaves an indentation onto the foam so you know where to cut. (Figure 17) *You can also mark it with a silver pen to mark where the bracket touches the foam.*

21) Next, Mark about 2-1/2 inches from the edge as the mark to cut down to. Using a serrated knife or hack saw, cut a section about 3/8" wide where the bracket indentations are. Use a flat head screw driver to poke out the bottom. Adjust the cut depth if needed. Repeat this for both sides. (Figure 18 & 19)

22) **Reinstalling the Foam.** Place the foam pieces back into place and use the Push-In Rivets supplied in the kit. (647025)

23) Check everything is tight and is correct.

24) Lastly Step back and admire your new shelf. ☺

End