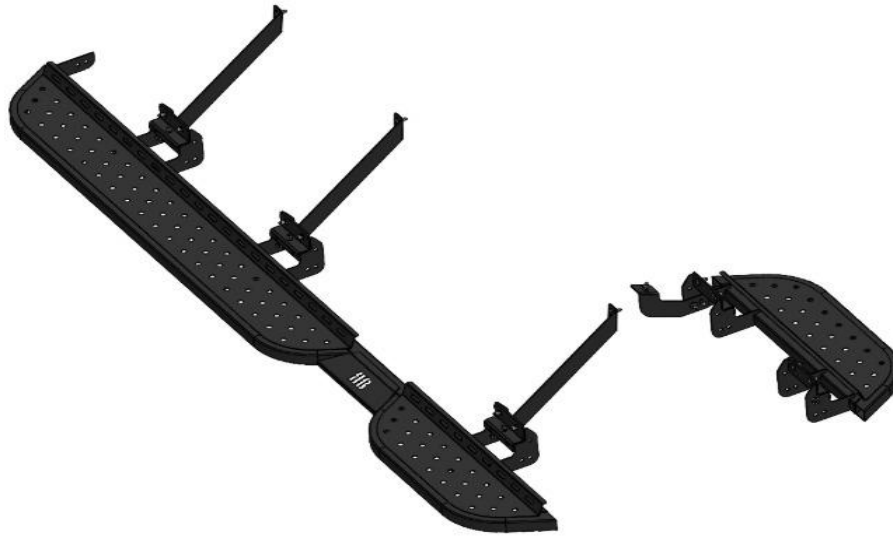


RB Sprinter Van Side Entry Steps



General Notes

- Please read all instructions thoroughly before starting installing this product.
- Please unpack and inspect steps to check for any damage prior to installing
- Assembly is required and can take anywhere from 2 – 3 hours.

Hardware Included

- 1x – small driver side entry step
- 1x – long passenger side entry step
- 38x - ¼-20 x 1" button head stainless screws
- 37x – stainless washers
- 12x - ¼-20 rivet nuts
- 9x – stainless ¼-20 nylon locknuts
- 1x – driver side short step support brace
- 3x – passenger side long step support brace
- 1x – small tube of anti-seize for stainless hardware

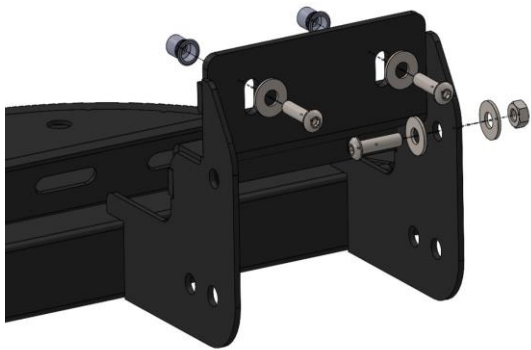
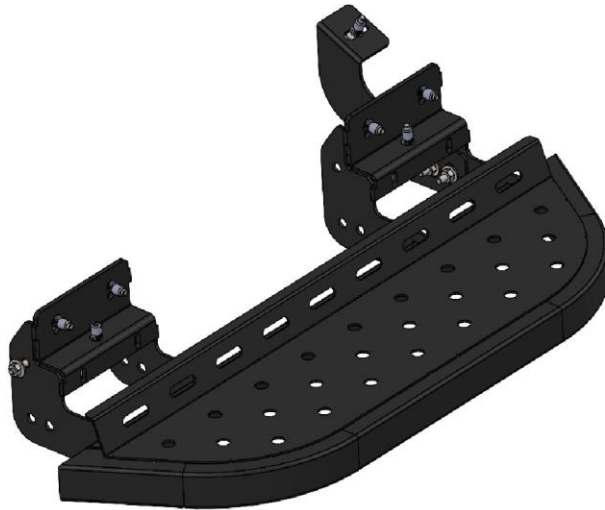
Tools Needed

- Power Drill
- Rivet nut Tool to insert rivet nuts into chassis
- ¼" drill bit

RB Sprinter Van Side Entry Steps

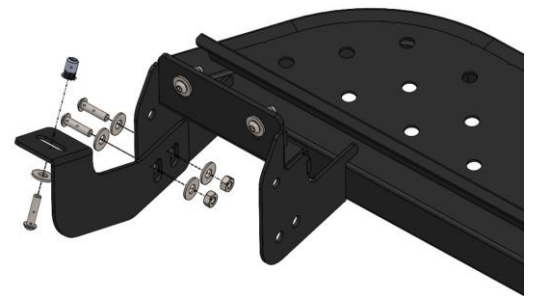
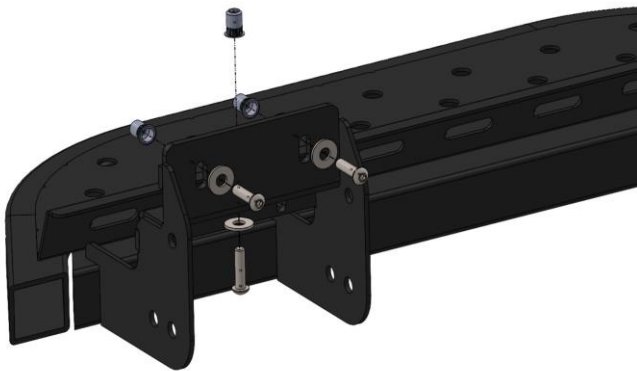
Driver Side Installation

- 1) Align the driver side entry step to the bottom pinch seam of the van. The front mounting bracket of the van is to be pushed up against the small bump out on the forward pinch seam of the van as shown. We will use this area to also mount to.



RB Sprinter Van Side Entry Steps

- 2) Do the same for the rear bracket by marking the mounting holes first. Drill and insert the rivet nuts and attach mount as shown below:



RB Sprinter Van Side Entry Steps

- 3) Next is to locate and install the passenger side long entry step. The mounting process is the same as the driver side step. Before mounting the support braces its best to first mount the step to the weld seam of the van to ensure it is mounted securely before mounting the step support braces. Attach the support braces to the step first and then mark the location on the frame where the rivet nut is to be inserted in the frame.

