



RB Enclosed Shower / Installation Instructions



General Notes

- Please read all instructions thoroughly before starting installing this product.
- Please unpack and inspect shower from any damage from shipping. If damages have occurred, please contact RB Components so we can start the shipping claim process.
- Assembly is required. Best to be installed by a skilled technician.

Hardware Included

- 14x - ¼-20 rivnuts
- 14x - ¼-20 x 1" button head stainless screws
- 16x - ¼ - 20 x ¾" button head stainless screws
- 32x - ¼" washers
- 16x - ¼-20 nylon lock nut stainless
- 1x - small tube of anti seize for stainless hardware

Tools Needed

- 5/32 allen wrench
- ¼" drill bit
- 1/8" drill bit (for small pilot hole)
- Drill
- Hole saw for making hole in shower pan for drain (size depends on drain size you are installing).
- Silicone for sealing joints in shower

Shower Location

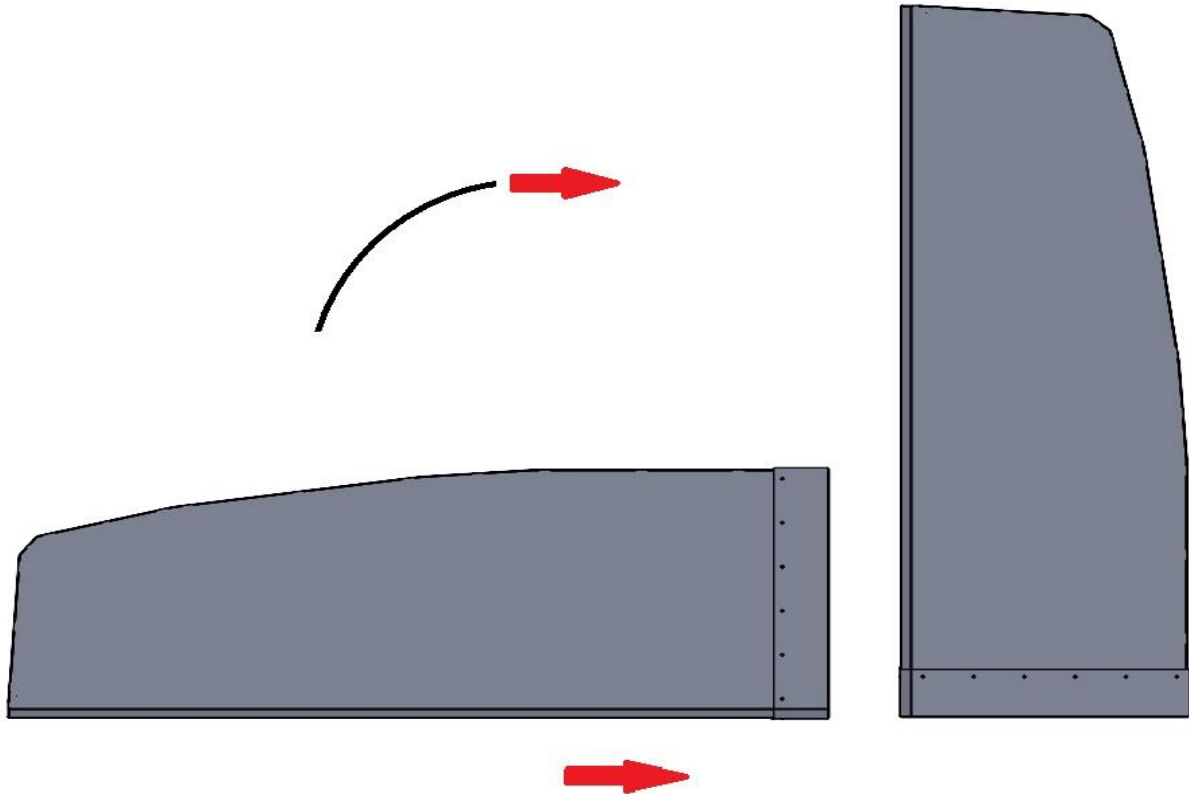
- It's best to locate where in your van exactly where your shower will be mounted. Typically, the shower is mounted along the driver's side of the van. It is strongly recommended, to not mount the shower in front of a window as the shower needs to be mounted up against the wall and the window will limit your wall mounting options.
- Each van build is different and depending on your plumbing you may have nothing under your van that would interfere with any drains from the shower. Always take note before drilling any holes for the shower drain to double check under your van.
- Its best to install the shower prior to any wall or ceiling panel installation as it will make the install much easier.
- RB does not put a drain hole in the shower pan as we do not know the exact location of your shower and drain. This can be done simply by using a hole saw to the size of the drain you are going to install in the shower pan.

Installation

- 1) First step is to mark and cut the drain hole in the shower pan. You should have laid the shower pan in the van to get an idea of the location of where your shower will be mounted. RB offers a low profile drain and strainer that works great ([#61459-143-SKIT](https://www.rbcomponents.com/products/61459-143-skitt))

RB Enclosed Shower / Installation Instructions

- The shower assembly should not be assembled until the shower is moved into location. Fit the shower enclosure into the shower pan. This will not be bolted together until the shower is in location and the enclosure is raised to the ceiling.
- With the help of a friend or two, lift the shower assembly into the rear of the van as shown in the picture below. Once into the rear of the van tilt the shower to its upright position.



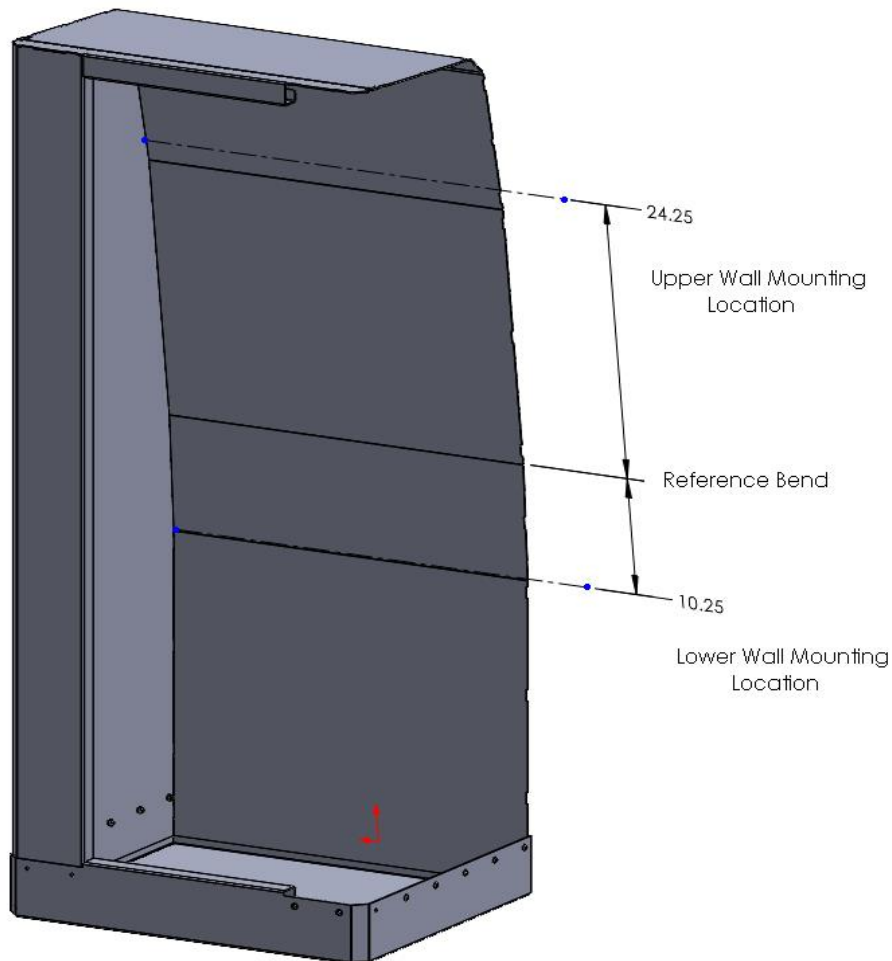
Rotate the shower with the shower face down. The easiest way to bring the shower into the van is from the rear of the van. Once the shower inside the van you can then tilt the shower upwards.

- With the shower now in the van and moved to the exact spot you want it, you can now raise the shower enclosure to the ceiling of your van by using a ratcheting cargo bar to keep the shower enclosure in place firmly to the ceiling. (<https://www.harborfreight.com/ratcheting-cargo-bar-96811.html>).

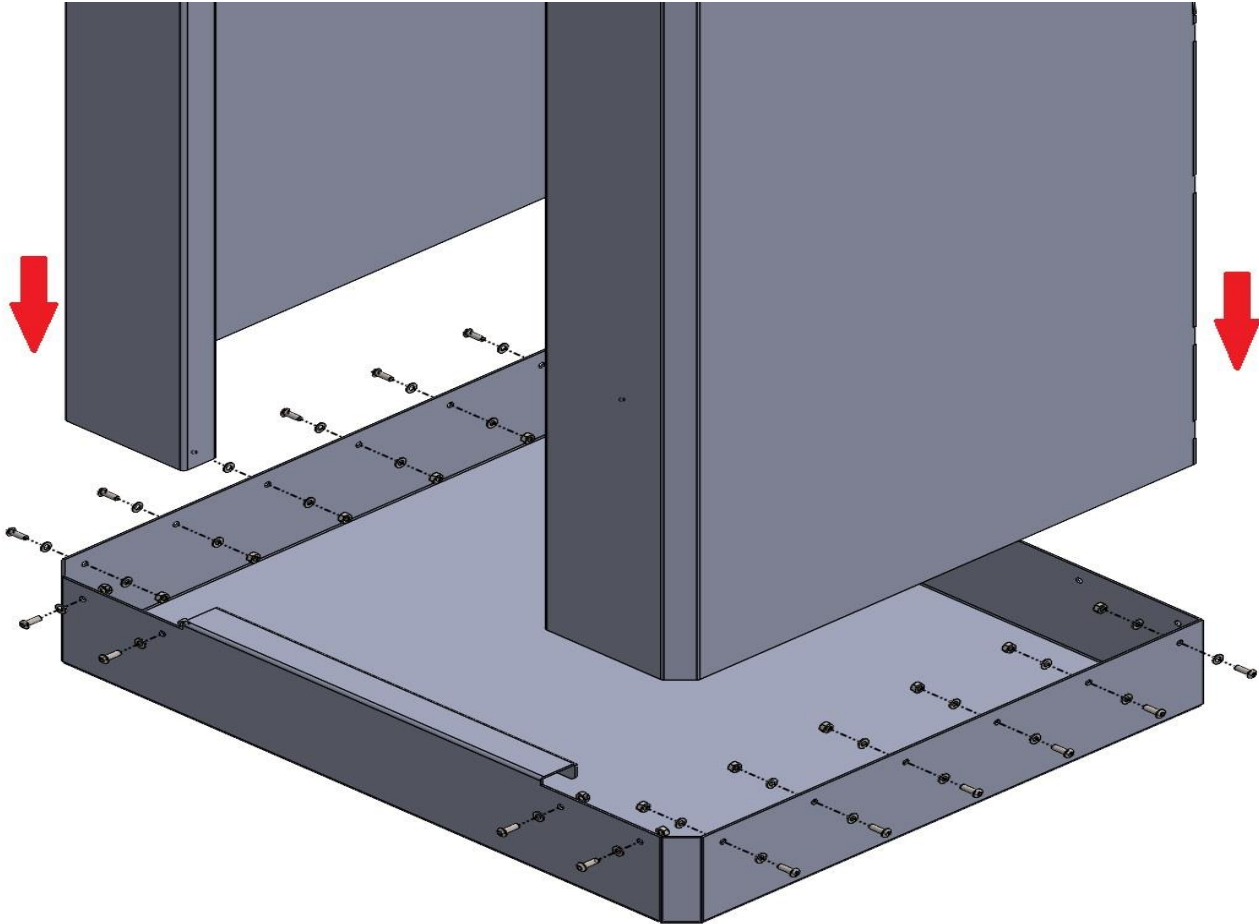


- 5) Next up is to mount and secure the shower to the wall. The shower will be mounted to the wall using rivnuts. As a reference refer to the diagram below showing the location of where the shower is mounted to the steel structure of the van. Using the seam in the back panel of the shower as a reference, measure up 24.25" and down 10.25". This is where the steel is in the wall of the van. Drill a pilot hole thru the back panel and into the steel of the van. This will allow you to locate where the rivnuts are mounted in the wall of the van.

RB Enclosed Shower / Installation Instructions



- 6) Pull the shower away from the wall exposing the pilot holes you have drilled into the steel structure of the van. Using the pilot hole locations to insert rivnuts in these locations. Your shower is now ready to be fastened to the wall of your Sprinter van.
- 7) With the shower pushed back into place, use the $\frac{1}{4}$ -20 x 1" button head screws to mount the shower against the wall.
- 8) Up until this point the shower pan and shower enclosure have NOT been fastened together. Using the holes in the shower pan as a guide to drill holes into the shower enclosure. Using the $\frac{1}{4}$ -20 x $\frac{3}{4}$ " button head screws to secure the enclosure to the shower pan (*no hardware is need for securing the back of the shower pan to the shower enclosure).



- 9) With the shower mounted in place the last thing to do is to install your plumbing in the shower pan and thru the bottom of the van.
- 10) Installation is now complete. If you need further assistance please do not hesitate to reach out and speak to one of our adventure van specialist.

