

## Installation Instructions for RB Rear Step

### General Notes

- Sprinter rear step for 2019+ with factory hitch. (if no factory hitch optional bracket sold separately.)
- Please read all instructions thoroughly before starting installing this product.

### Parts List

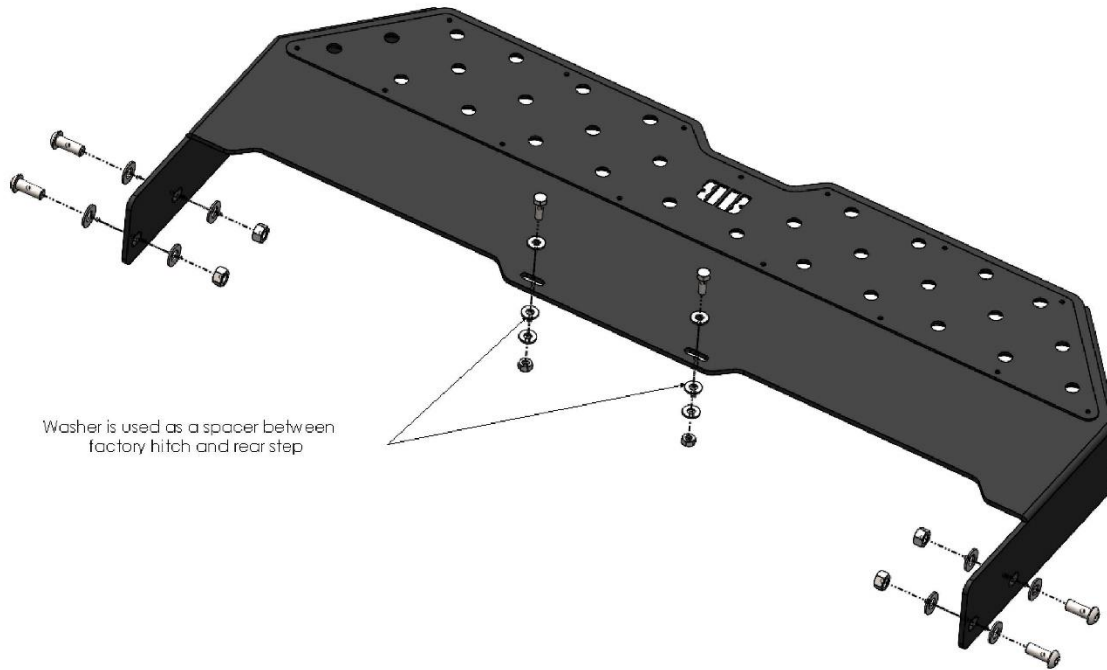
- (1) **#61999-62-78** – 2019+ Sprinter Rear Step Fits On Factory Hitch
- (4) **3/8"-16 x 1-1/4" Button Head Hex Drive**
- (4) **3/8"-16 Nylon Lock Nut**
- (8) **3/8" Washer**
- (2) **1/4"-20 x 1" Hex Drive**
- (6) **1/4" Washer**
- (2) **1/4"-20 Nylon Lock Nut**

### Tools Needed

- 7/32" allen wrench
- 9/16" socket wrench
- 7/16" open end wrench
- 7/16" socket wrench

## Installation

- 1) The RB rear step is designed to fit over the factory rear hitch of your Sprinter with no modification needed. See detailed view below:



***Installation is now complete. If you have any further questions on this or any other RB Components product please feel free to reach us directly (562) 802-1200***