



RB Components

Folding Sofa/Sleeper DIY

Hardware Kit



General Notes

- For the most up to date and current instructions, please visit our website at www.rbcomponents.com
- Please read all instructions thoroughly before starting installing this product.
- Folding Sofa/Sleeper DIY KIT

Parts List

- (1) Right Hand Sofa Sleeper Hinge
- (1) Left Hand Sofa Sleeper Hinge
- (2) Bench Seat Folding Legs
- (2) Back Rest Folding Legs
- (1) Right Hand Sofa Wall Mount Bracket
- (1) Left Hand Sofa Wall Mount Bracket
- (2) 3/8"-16 x 1/2" long hex bolt
- (8) Nylon Washers
- (4) #12 x 3/4" hex bolt
sofa sleeper bottom

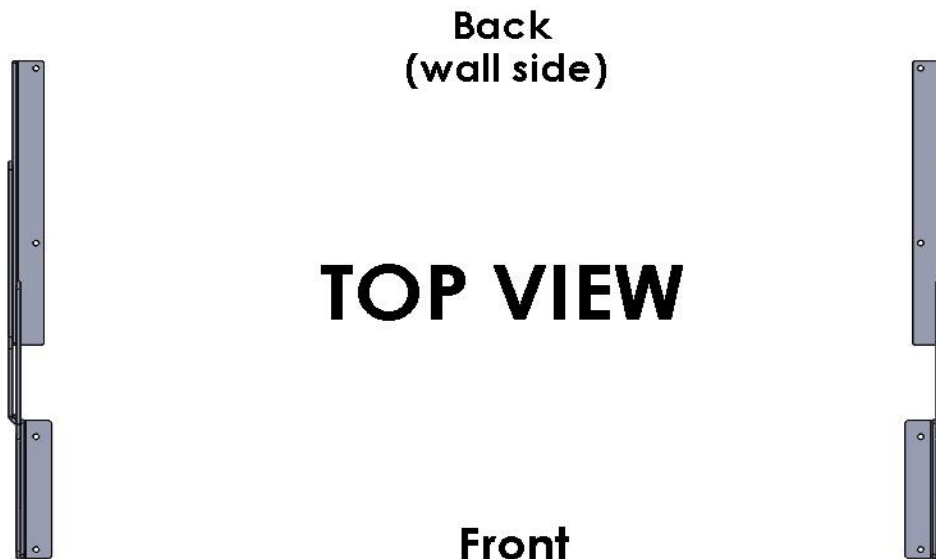
Mounting wall mount bracket to sofa bench seat
Used between wall mount bracket and hex bolt
Self tapping hex bolts mounts furniture legs to

Tools Needed

- Socket Wrench
- 1/2" socket wrench
- 5/16" socket wrench
- Mounting hardware is not supplied as mounting may vary depending on build. Owner is responsible for the necessary box or wall mount fasteners.

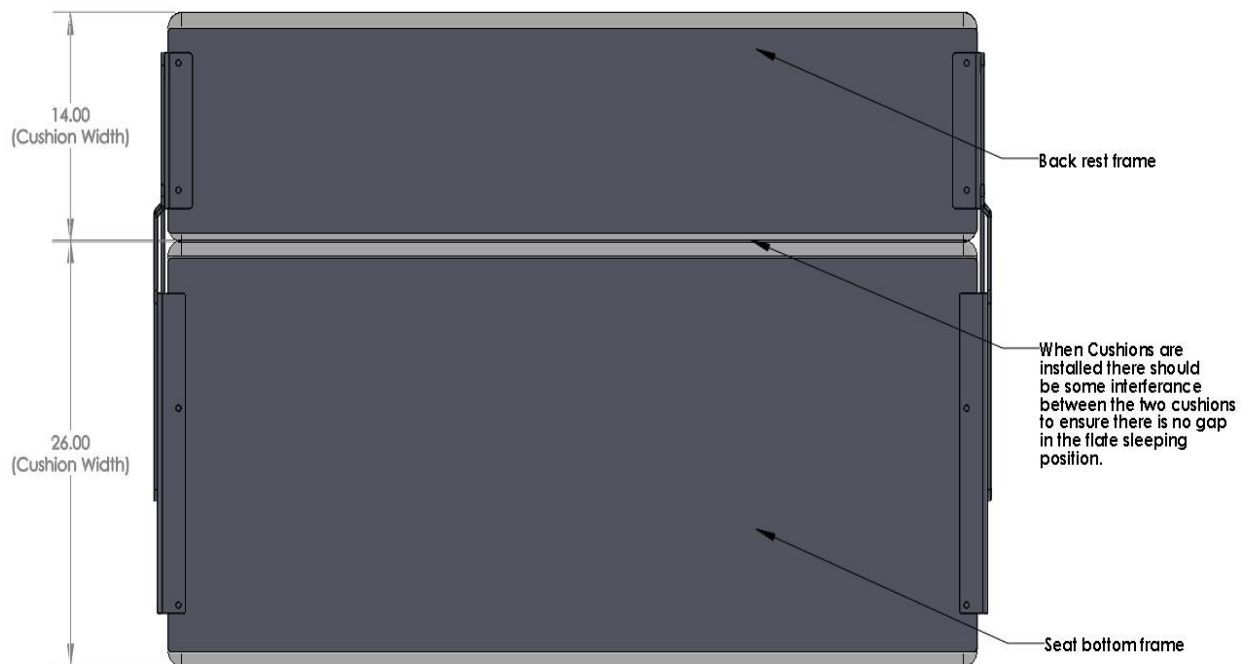
Installation

- 1) Start by identifying the left and right hand hinge sets. The best way is once un-wrapped to open both hinges into the flattened position as shown.

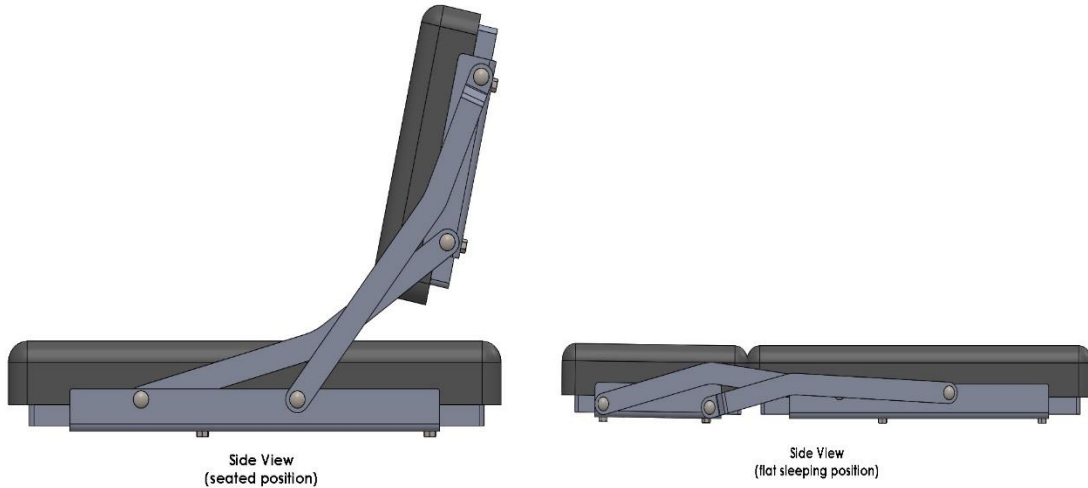


- 2) With the left and right hinges now identified you can now start on fabricating your seat bottom and back rest frames. The overall width is completely up to you. However the width of the back rest in relation to the seat bottom cushion is important. This is why it is best to build up the DIY kit with the hinges in the flat (sleeping position). This will insure that when the back rest is folded from a seated position to sleeping position it will all work correctly.

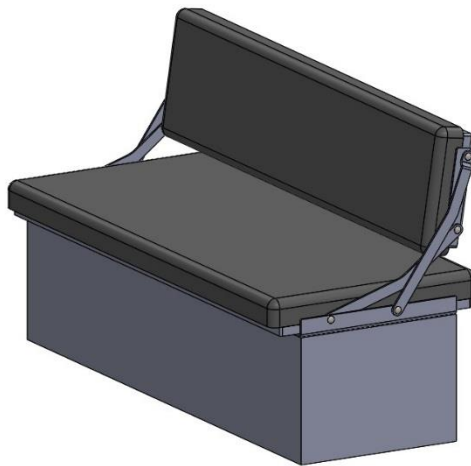
Bottom View



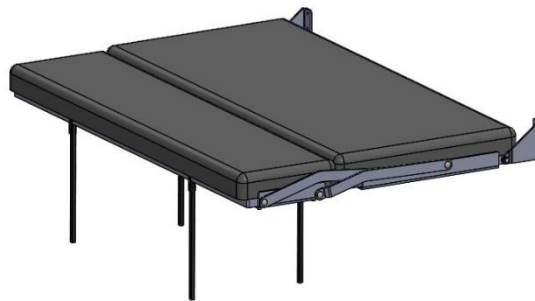
- 3) Securely fasten the back rest and seat bottom frame to the right and left side hinges. (*since RB Components does not know the size frame that you will be mounting into you will need to provide the correct mounting hardware*). Working assembly pictures below.



- 4) Now that your sofa sleeper assembly is finished it can either be mounted to a home-made base or mounted to the wall using the sofa wall mount bracket that was provided in the kit.

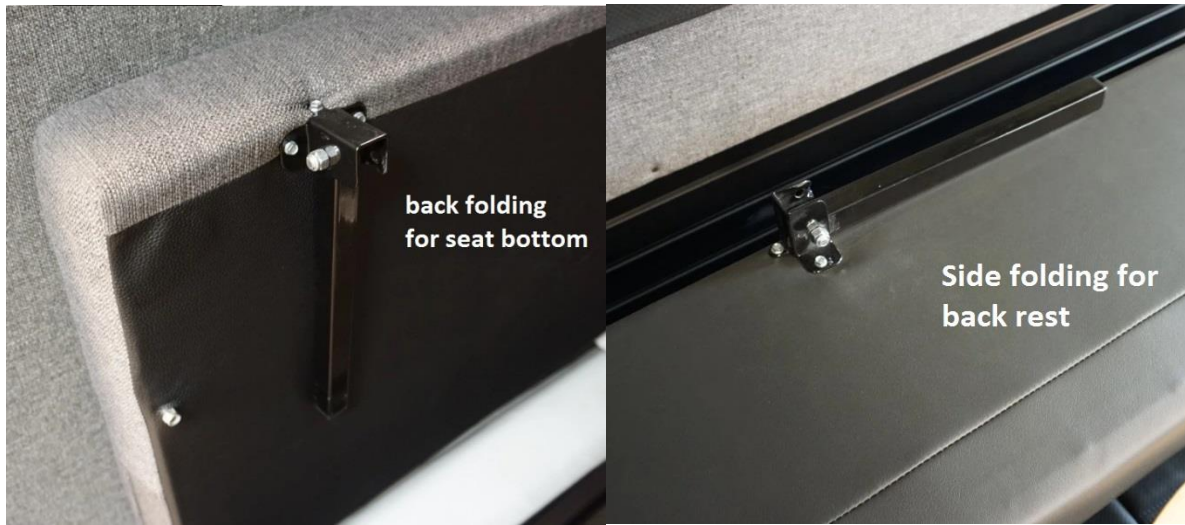


Base Mounted Sofa Sleeper



Wall Mounted

- 5) Installing the support legs. If you are mounting to a base or box that is supporting the sofa bench seat you will only need to install the support legs for the back rest. If you are wall mounting the sofa sleeper to the wall with no box you will need to use all 4 support legs.
- a) There are two types of support legs. The side folding legs are used for the sofa back rest and the back folding legs are used for the bench seat.



Installation is now complete. If you have any further questions on this or any other RB Components product please feel free to reach us directly (562) 802-1200