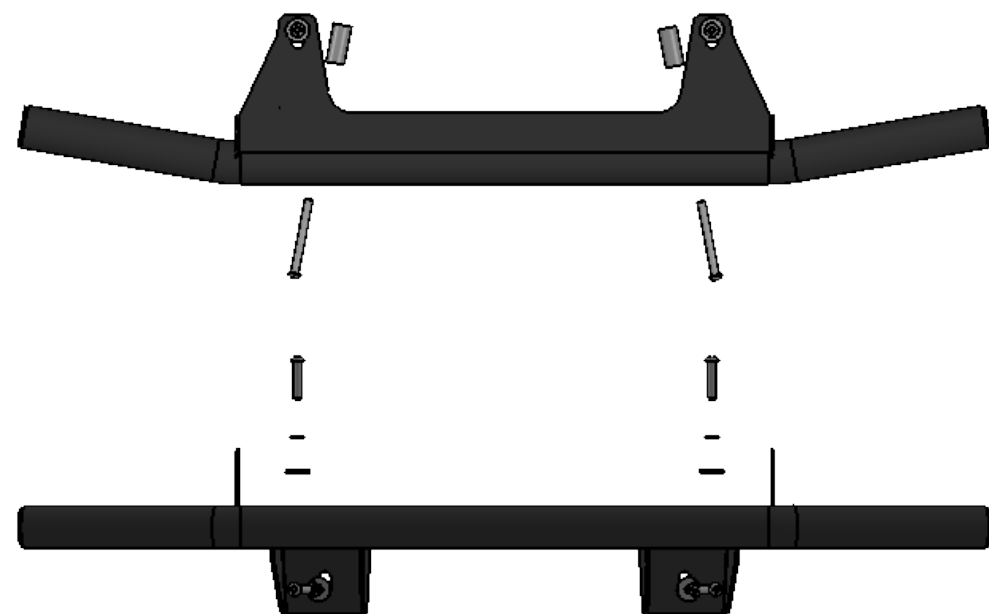
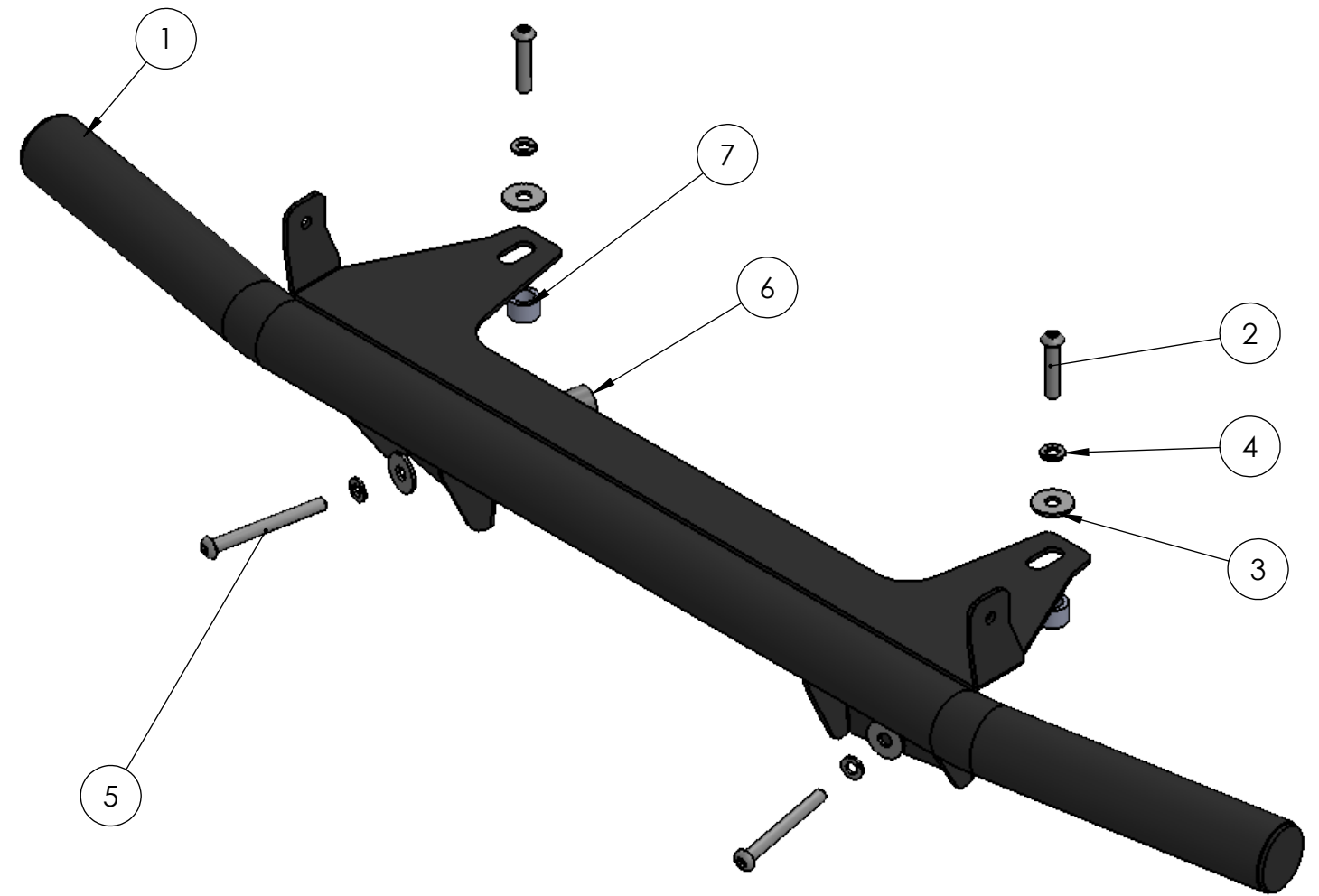


ITEM NO.	PART NUMBER	DESCRIPTION	QTY.
1	62010- (01,02,03)	Tube, Front Bumper Light Bar, 20in LED	1
2	60951-809	8mm x 50mm BHCS A-2 Stainless	2
3	60951-682	Fender Washer A-2 Stainless	4
4	60951-549	5-16 Lock Washer A-2 Stainless	4
5	60951-731	8mm x 80mm BHCS A-2 Stainless	2
6	62010-01-05	Bottom Standoff, Front Bumper Light Bar, 20in LED, 2015 Sprinter	2
7	62010-01-04	Top Standoof, Front Bumper Light Bar, 20"LED, 2015 Sprinter	2



PROPRIETARY AND CONFIDENTIAL

THE INFORMATION CONTAINED IN THIS DRAWING IS THE SOLE PROPERTY OF RB COMPONENTS. ANY REPRODUCTION IN PART OR AS A WHOLE WITHOUT THE WRITTEN PERMISSION OF RB COMPONENTS IS PROHIBITED.

UNLESS OTHERWISE SPECIFIED:

1. DEBURR ALL SHARP EDGES.
2. ALL BEND RADII 0.03125in.
3. ALL CUTOUTS DIMENSIONED TO CENTERLINE.
4. ALL DIMENSIONS AROUND CENTERLINES TO BE SYMMETRIC WITHIN ±0.005.

All DIMENSIONS ARE O.D. DIMENSIONS ARE IN INCHES
 TOLERANCES:
 FRACTIONAL ±1/32
 ANGULAR: MACH±1° BEND ±1°
 TWO PLACE DECIMAL ±0.010
 THREE PLACE DECIMAL ±0.005

DRAWN: **Mark** DATE: **9/17/18**

INTERPRET GEOMETRIC TOLERANCING PER:

MATERIAL

FINISH

RB Components, Inc.

TITLE: **62010- (01,02,03)**

SIZE DWG. NO. REV

B Front Light Bar Assembly ALL

DO NOT SCALE DRAWING

WEIGHT:

SHEET 1 OF 1