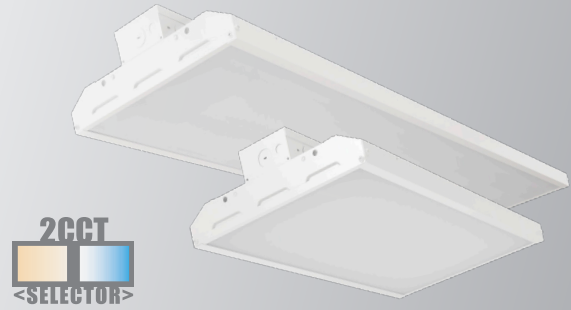


Catalog Number:	Project Name:	Note:	Date:	Type:
-----------------	---------------	-------	-------	-------

Portor's Next Generation LED Linear High Bay provides high performance efficient and quality light output. Perfect for high ceiling commercial application. Portor can also provide in-house installation solution for accessories such as for Motion Sensor or Emergency Battery Back-up. Saving additional labor cost and installation lead time.

Ideal use for commercial and industrial application such as large warehouse, parking/storage garage, gymnasium and retail stores with high ceiling.



CONSTRUCTION

Sleek slim design high bay with durable and solid form factor frame. Made out of quality aluminum alloy body with white finish.

ELECTRICAL

Luminaire is built with high efficacy LED package 120V-277V universal drivers.

OPTICAL SYSTEM

High performance light output perfect for high ceiling. Optic lens designed to reduce glare and improve light distribution through precision lens optics.

ENERGY SAVINGS

Over 50% energy savings compare to fluorescent fixtures. Low heat production from LED technology will require overall less maintenance and operating cost.

MOUNTING

Comes standard with V-Hooks and chains, Option available for Pendant Mount.

CONTROLS

Option available for dimmers, occupancy sensors and daylight harvesting (consult factory) to maximize energy savings.

LISTING

UL Listed , DLC Premium Listed

WARRANTY

5 Years Limited Warranty, Rated for 50,000 hours (See Warranty documentation for details).

	WATTAGE	DELIVERED LUMENS	EFFICACY
2'	105W	14,175	141 lm/W
	155W	20,925	139 lm/W
	170W	22,950	137 lm/W
4'	210W	28,350	139 lm/W
	300W	40,500	133 lm/W

Based on 4000K, 82 CRI. Actual lumens may vary.

TECHNICAL SPECIFICATION

CCT	4000K/5000K
CRI	82
DIMMABLE	0-10V dimming
VOLTAGE	120V-277V
POWER FREQUENCY	50/60 Hz
POWER FACTOR	0.9
THD	10%
WORKING TEMPERATURE	-4°F ~ 104°F
STORAGE TEMPERATURE	-22°F ~ 140°F
IP RATING	Suitable for damp locations
WARRANTY	5 year limited



ORDERING SAMPLE: - - - - - - -

Series	Wattage	CCT
PT-LHB LED Linear High Bay Series	105W 155W 170W 210W 300W	2CCT (4000K/5000K)

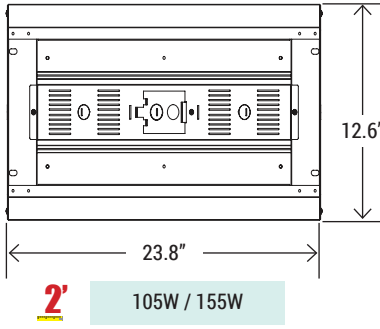
Options /Accessories (Sold separate)				
EM Battery	Transformer	Sensor	Wireguard	Mounting
PT-EM1-15W* PT-EM1-30W**	PT-SDT-325	Blank PT-UNI-SP-PR PT-UNI-SP-MW ELB-UNI MSH-RC2***	WG-HBL4-2FT WG-HBL4-4FT	Blank (Standard V-hook) PM-HBL4

*105W, 155W (max)
**170W, 210W, 300W

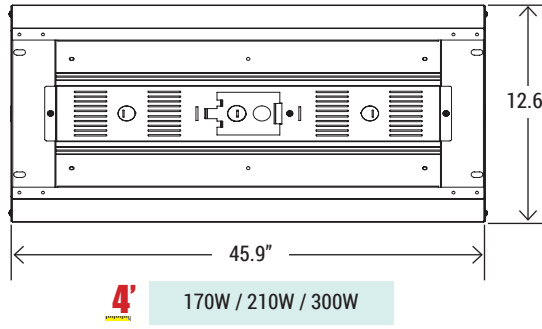
***Remote is required

Catalog Number:	Project Name:	Note:	Date:	Type:
-----------------	---------------	-------	-------	-------

DIMENSION



105W / 155W

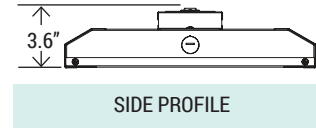


170W / 210W / 300W

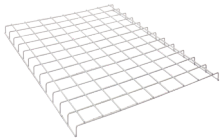
QTY/CARTON



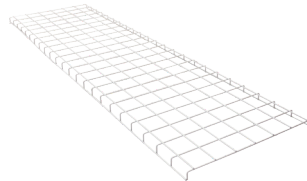
PIECE



WIRE GUARD OPTION



WG-HBL4-2FT
Wire guard for 105W / 155W



WG-HBL4-4FT
Wire guard for 170W / 240W / 300W

MOUNTING OPTION



PM-HBL4
Pendant Mount

SENSOR OPTION



MOTION SENSOR
PT-UNI-SP-PR (PIR)
PT-UNI-SP-MW (Microwave)



ELB-UNI (Required)
Elbow adapter



MSH-RC2 (Required)
Intelligent Control Unit

TRANSFORMER OPTION



PT-SDT-325
Step-down Auto-transformer

EM BATTERY OPTION



PT-EM1-15W* / PT-EM1-30W**
LED Emergency Driver

*Only works with 105W, 155W (max)
**Will work with 170W, 210W, 300W



CATALOG NUMBER	WATTAGE	DELIVERED LUMENS	EFFICACY	DLC PRODUCT ID	CLASSIFICATION
PT-LHB-105W-2CCT	105W	14,175	141 lm/W	S-JDT39V	PREMIUM
PT-LHB-155W-2CCT	155W	20,925	135 lm/W	S-EMZU6J	PREMIUM
PT-LHB-170W-2CCT	170W	22,950	137 lm/W	S-FAD4Z7	PREMIUM
PT-LHB-210W-2CCT	210W	28,350	139 lm/W	S-ODAZIC	PREMIUM
PT-LHB-300W-2CCT	300W	40,500	133 lm/W	S-TURHP3	PREMIUM

Based on 4000K, 82 CRI. Actual lumens may vary.

PT-LHB-105W

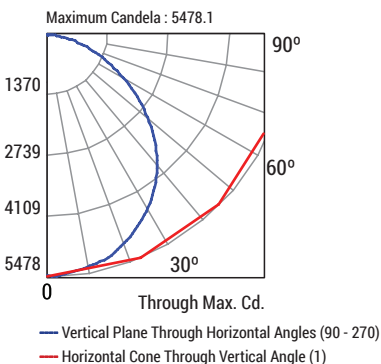
Wattage: 105W

Delivered lumens: 14176

Efficacy: 136 lm/W

CCT: 5000K

CRI: 80



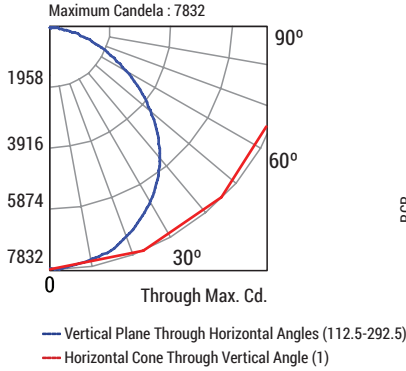
pfc	20%										
	80%				70%			50%			
pcc	70%	50%	30%	10%	70%	50%	30%	10%	50%	30%	10%
0	119	119	119	119	116	116	116	116	111	111	111
1	109	105	101	97	107	103	99	96	98	95	92
2	100	92	85	80	97	90	84	79	86	81	77
3	91	81	73	67	89	80	72	66	77	70	65
4	84	72	64	57	81	71	63	57	68	61	56
5	77	65	56	49	75	64	55	49	61	54	49
6	71	58	50	43	69	57	49	43	56	48	43
7	66	53	44	38	64	52	44	38	51	43	38
8	62	48	40	34	60	48	40	34	46	39	34
9	58	44	36	31	56	44	36	31	43	36	31
10	54	41	33	28	53	41	33	28	40	33	28

	0°	90°
0°	5457.6	5457.6
5°	5426.7	5421.0
15°	5221.5	5225.2
25°	4815.9	4795.3
35°	4242.1	4204.2
45°	3436.1	3411.2
55°	2490.5	2454.1
65°	1552.7	1497.6
75°	745.6	702.4
85°	162.7	132.3
90°	12.9	16.1

	Lumens	%Fixture
0° - 20°	1983.52	14.00
0° - 30°	4190.27	29.60
0° - 40°	6817.56	48.10
0° - 60°	11656.22	82.20
0° - 80°	13941.92	98.40
0° - 90°	14118.82	99.60

Catalog Number:	Project Name:	Note:	Date:	Type:
-----------------	---------------	-------	-------	-------

PT-LHB-155W	Wattage: 155W	Delivered lumens: 20443	Efficacy: 137 lm/W	CCT: 5000K	CRI: 80
--------------------	----------------------	--------------------------------	---------------------------	-------------------	----------------

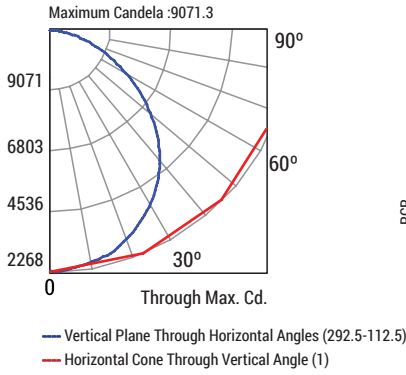


RCR	Coefficients of Utilization													
	p/c	80%				70%				50%				
		pcc	pw	70%	50%	30%	10%	70%	50%	30%	10%	50%	30%	10%
0			119	119	119	119	116	116	116	111	111	111		
1			109	105	101	97	107	103	99	96	98	95	93	
2			100	92	86	80	97	90	84	79	87	81	77	
3			91	81	73	67	89	80	72	67	77	70	65	
4			84	72	64	57	82	71	63	57	68	62	56	
5			77	65	56	50	75	64	55	49	61	54	49	
6			71	58	50	43	69	57	49	43	56	48	43	
7			66	53	44	38	65	52	44	38	51	43	38	
8			62	48	40	34	60	48	40	34	46	39	34	
9			58	44	36	31	56	44	36	31	43	36	31	
10			54	41	33	28	53	41	33	28	40	33	28	

CP Summary		
	0°	90°
0°	7810.3	7810.3
5°	7768.9	7753.2
15°	7490.2	7485.3
25°	6918.0	6914.7
35°	6138.4	6101.0
45°	4979.2	4956.4
55°	3583.7	3525.2
65°	2195.6	2088.0
75°	1038.5	964.1
85°	224.0	184.3
90°	16.4	12.8

Zonal Lumen Summary		
	Lumens	%Fixture
0° - 20°	2845.31	13.90
0° - 30°	6029.64	29.50
0° - 40°	9847.17	48.20
0° - 60°	16883.48	82.60
0° - 80°	20712.90	98.40
0° - 90°	20360.50	99.60

PT-LHB-170W	Wattage: 170W	Delivered lumens: 23302	Efficacy: 139 lm/W	CCT: 5000K	CRI: 80
--------------------	----------------------	--------------------------------	---------------------------	-------------------	----------------

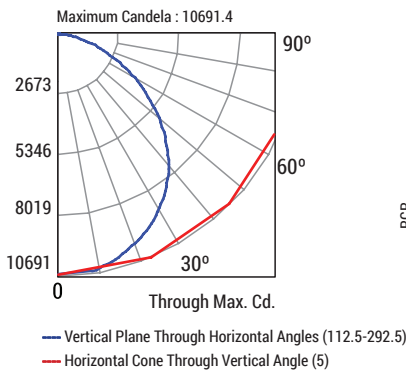


RCR	Coefficients of Utilization													
	p/c	80%				70%				50%				
		pcc	pw	70%	50%	30%	10%	70%	50%	30%	10%	50%	30%	10%
0			119	119	119	119	116	116	116	111	111	111		
1			109	105	101	97	107	103	99	96	98	95	93	
2			100	92	86	80	97	90	84	79	87	81	77	
3			91	81	73	67	89	80	72	67	77	70	65	
4			84	72	64	57	82	71	63	57	68	62	56	
5			77	65	56	50	75	64	55	49	61	54	49	
6			71	58	50	43	69	57	49	43	56	48	43	
7			66	53	44	38	65	52	44	38	51	43	38	
8			62	48	40	34	60	48	40	34	46	39	34	
9			58	44	36	31	56	44	36	31	43	36	31	
10			54	41	33	28	53	41	33	28	40	33	28	

CP Summary		
	0°	90°
0°	8962.5	8962.5
5°	8904.9	9024.9
15°	8593.8	8652.0
25°	7925.8	7908.7
35°	6958.6	6878.7
45°	5654.6	5467.2
55°	4135.3	3934.8
65°	2597.2	2390.4
75°	1256.0	1111.4
85°	257.0	191.4
90°	15.5	7.4

Zonal Lumen Summary		
	Lumens	%Fixture
0° - 20°	3283.5	14.10
0° - 30°	6934.18	29.80
0° - 40°	11264.4	48.30
0° - 60°	19180.00	82.30
0° - 80°	22938.49	98.40
0° - 90°	23223.4	99.70

PT-LHB-215W	Wattage: 210W	Delivered lumens: 27924	Efficacy: 136 lm/W	CCT: 5000K	CRI: 80
--------------------	----------------------	--------------------------------	---------------------------	-------------------	----------------

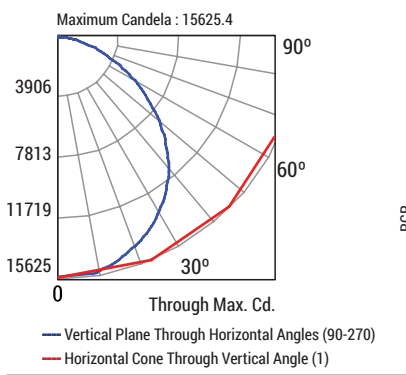


RCR	Coefficients of Utilization													
	p/c	80%				70%				50%				
		pcc	pw	70%	50%	30%	10%	70%	50%	30%	10%	50%	30%	10%
0			119	119	119	119	116	116	116	111	111	111		
1			109	105	101	97	107	103	99	96	98	95	93	
2			100	92	85	80	97	90	84	79	87	81	77	
3			91	81	73	67	89	80	72	66	77	70	65	
4			84	72	64	57	82	71	63	57	68	61	56	
5			77	65	56	49	75	63	55	49	61	54	49	
6			71	58	50	43	69	57	49	43	55	48	43	
7			66	53	44	38	65	52	44	38	51	43	38	
8			62	48	40	34	60	48	40	34	46	39	34	
9			58	44	36	31	56	44	36	31	43	36	31	
10			54	41	33	28	53	40	33	28	39	33	28	

CP Summary		
	0°	90°
0°	10546.280	10546.280
5°	10483.700	10640.400
15°	10177.100	10241.600
25°	9466.600	9448.500
35°	8390.500	8322.500
45°	6902.300	6736.400
55°	5097.900	4909.700
65°	3169.100	3021.300
75°	1534.800	1420.700
85°	353.400	283.300
90°	31.900	25.100

Zonal Lumen Summary		
	Lumens	%Fixture
0° - 20°	3873.96	13.90
0° - 30°	8206.24	29.40
0° - 40°	13384.94	47.90
0° - 60°	22960.76	82.20
0° - 80°	27472.52	98.40
0° - 90°	27829.60	99.70

PT-LHB-300W	Wattage: 300W	Delivered lumens: 40310	Efficacy: 135 lm/W	CCT: 5000K	CRI: 80
--------------------	----------------------	--------------------------------	---------------------------	-------------------	----------------



RCR	Coefficients of Utilization													
	p/c	80%				70%				50%				
		pcc	pw	70%	50%	30%	10%	70%	50%	30%	10%	50%	30%	10%
0			119	119	119	119	116	116	116	111	111	111		
1			109	105	101	97	107	103	99	95	98	95	92	
2			100	92	85	80	97	90	84	79	86	81	77	
3			91	81	73	67	89	80	72	66	76	70	65	
4			84	72	63	57	82	71	63	57	68	61	56	
5			77	65	56	49	75	63	55	49	61	54	48	
6			71	58	49	43	69	57	49	43	55	48	43	
7			66	53	44	38	65	52	44	38	50	43	38	
8			62	48	40	34	60	48	40	34	46	39	34	
9			58	44	36	31	56	44	36	31	43	35	31	
10			54	41	33	28	53	40	33	28	39	33	28	

CP Summary		
	0°	90°
0°	15478.8	15478.8
5°	15310.2	15443.6
15°	14776.2	14803.9
25°	13636.2	13570.9
35°	12043.7	11827.9
45°	9717.7	9584.2
55°	7111.7	6932.0
65°	4509.6	4302.6
75°	2195.8	2075.9
85°	470.2	410.6
90°	35.9	43.1

Zonal Lumen Summary		
	Lumens	%Fixture
0° - 20°	5619.51	13.90
0° - 30°	11867.25	29.40
0° - 40°	19289.54	47.90
0° - 60°	33001.68	81.90
0° - 80°	39638.53	98.30
0° - 90°	40167.22	99.60