

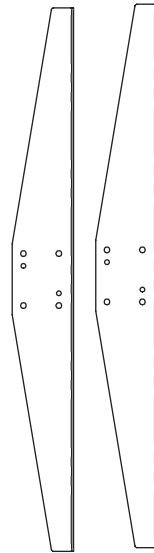


installation guide **ACTIV-1**

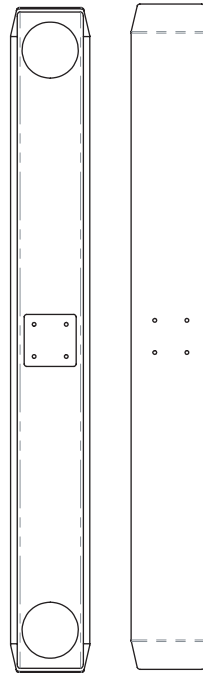




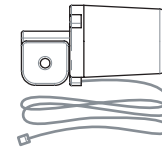
Leg Columns –
Right and Left



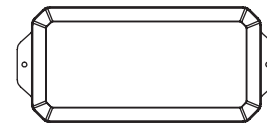
Worksurface
supporting
bracket
(Cantilever) x2



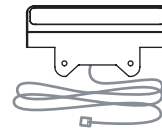
Base foot x2



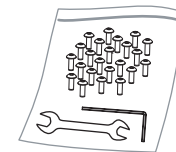
Motor unit



Control box

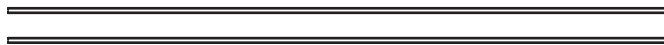


LED control unit

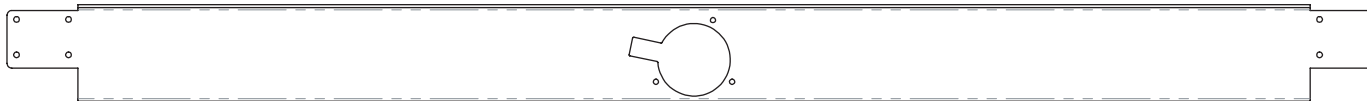


Hardware & Tools
(socket screws, open end
wrench, and allen key)

Hex gear-rod



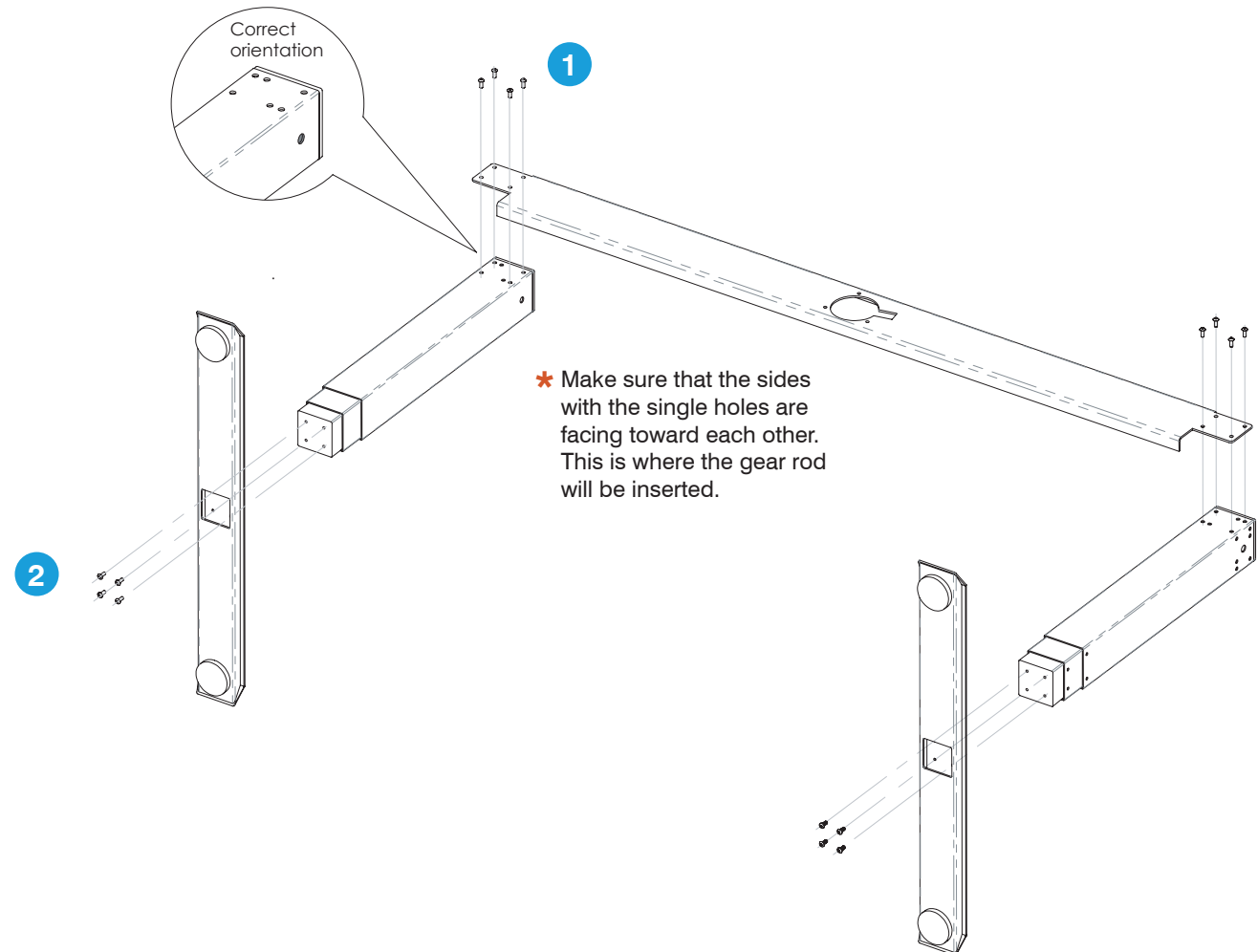
Horizontal beam
(stretcher bar)



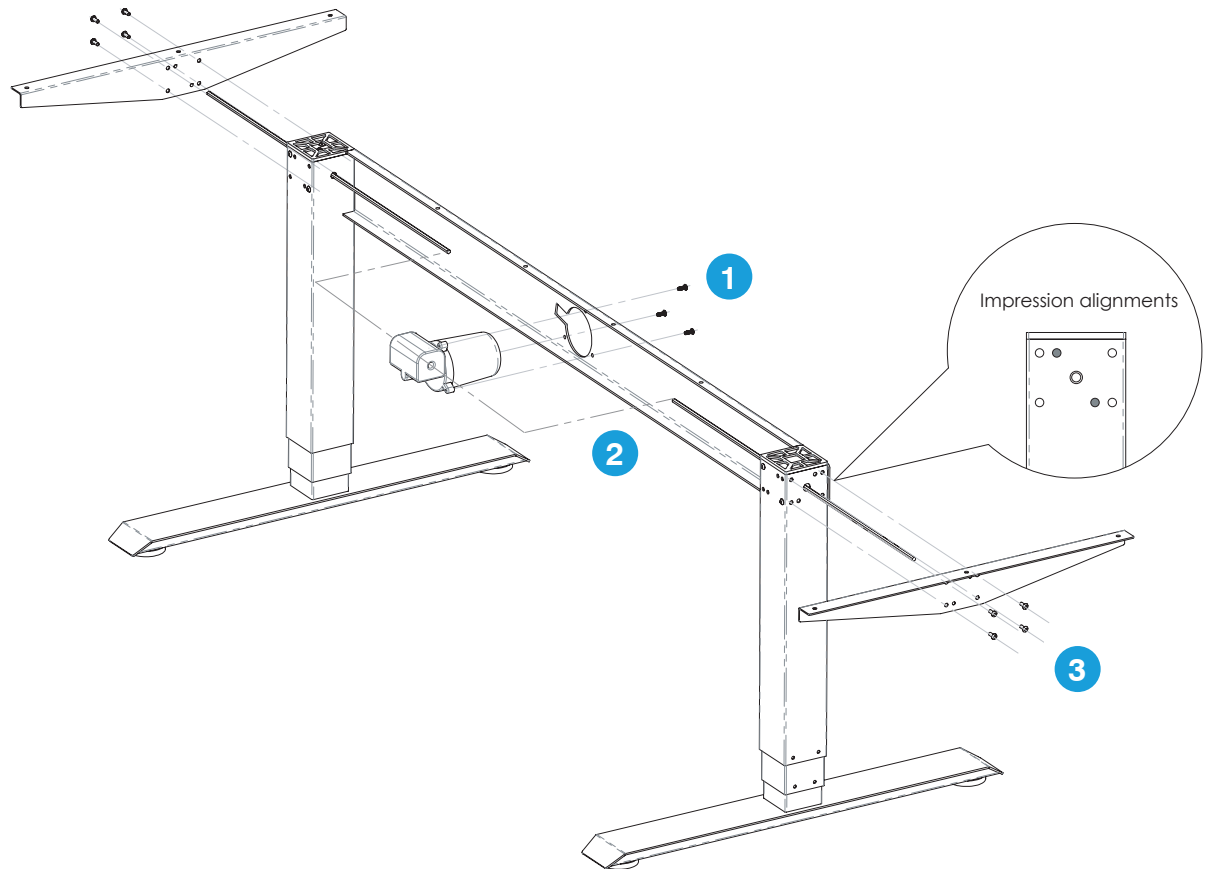
- 1 Secure the stretcher bar to the columns using 8 screws.
(For correct leg direction, note the orientation shown in image.)

Note: Do NOT remove the pre-installed screws from the leg columns. Orient the leg so the side without screws is used to mount the stretcher bar.

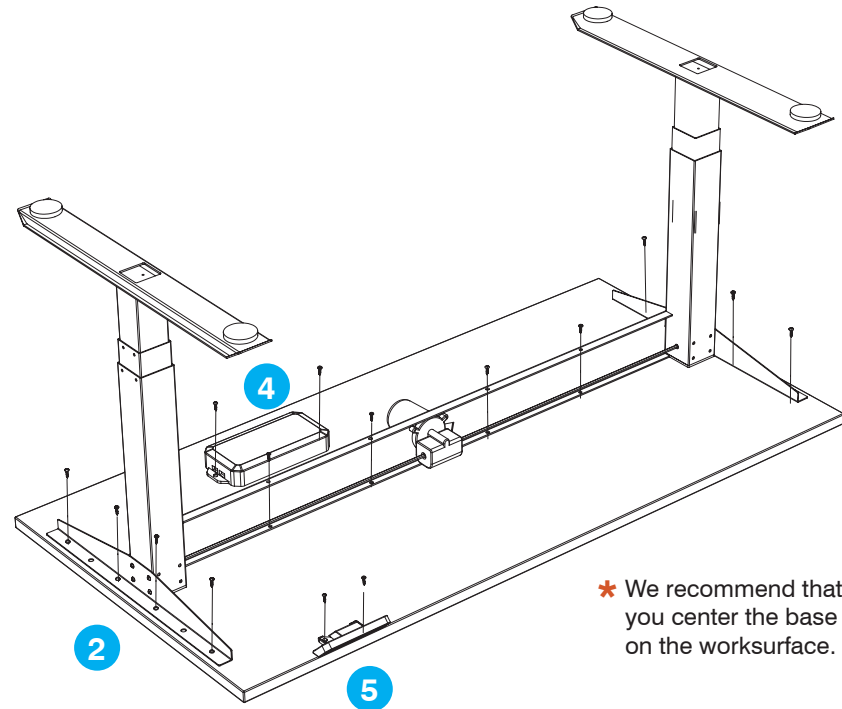
- 2 Attach the footer to the column base. (The foot direction will be determined by the orientation of the column in the image.) Secure with 4 screws. [X2]



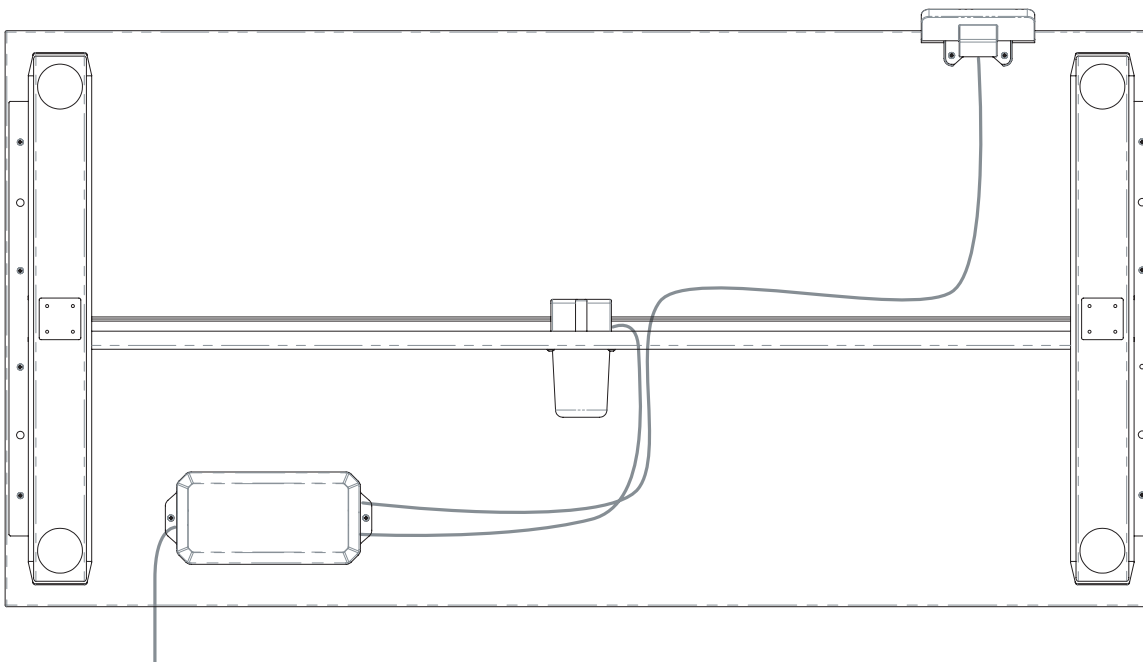
- 1** Insert motor into stretcher bar. The motor will be mounted to the concave side of the stretcher bar. Secure with 3 screws.
- 2** Insert the hex rod through the outside of the column leg into the motor. Aligning the hex rod may into the motor case may require using a 6mm wrench.
- 3** Install the top mount bracket (cantilever) to the post column. Align the impressions for correct fit. Secure with 4 screws. [x2]



- 1 Lay worksurface down on the floor with the top down.
- 2 Lay the base assembly upside down on top of the worksurface. Double check to ensure that the base is properly positioned on the underside of the worksurface.
- 3 Attach the base to the worksurface using wood screws.
Note: Wood screws are not provided with the ACTIV-1 base, but are provided with AMQ worksurfaces.
- 4 Attach the control box to the underside of the desktop using wood screws towards the back side of the work surface.
Note: The back side will be the side where the motor sticks out.
- 5 Attach the LED display unit using wood screws flush to the left or right of the front edge of the worksurface.



- 1 Connect the cables as per the diagram below.
Note: Use the adhesive-backed cable clips to secure the cables and hand set cables.
For permanent attachment, drill down tie-traps with wood screws to surface.
- 2 Turn the assembled desk right-side up and adjust the leveling glides on the feet as needed.
- 3 Plug the power cord into a standard 110v outlet.
Your ACTIV-1 table is now ready to use.



- * Make sure all cords are appropriate length for unit heights.
- * Ensure that no obstacles are in the unit's path and the unit is not touching any walls.

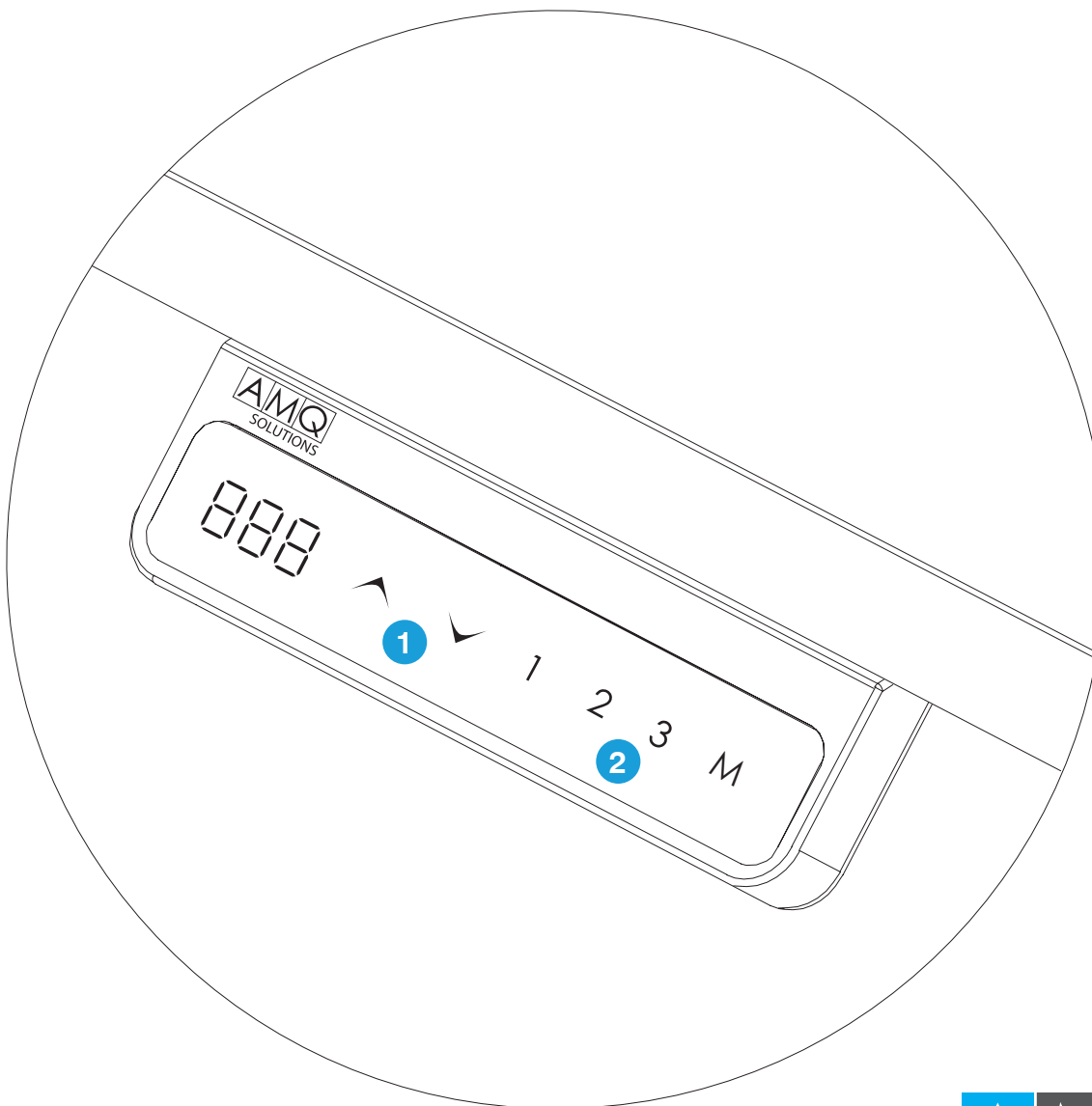
1 To Program Up to 3 Presets: Use the up/down arrows to find desired height, then press “M” followed by the number 1, 2, or 3.

2 To Test Programmed Height: Use the up/down arrows to adjust the table to a height other than the preset height. Then push and hold the number you programmed to see if it automatically adjusts to the height programmed in Step 1.

Note: If it does not adjust to the programmed height, repeat Step 1 followed by Step 2.



Caution: Once the preset number is pushed, the base will automatically moved to the programmed height.



ASR/RST Error Code

- 1 Reset the Base by holding the down arrow for 10-15 seconds until it reaches its lowest point and numbers appear on the handset.

No Power

- 1 If there is no power in the Base, the Control Box may be damaged – contact us at cc@amqsolutions.com to order your replacement.

E07/E08 Error Code: Legs Not Moving Uniformly

- 1 If the legs are not moving uniformly, or the Base goes up when the down arrow is pressed, reset the Base by holding the down arrow for 10-15 seconds until it reaches its lowest point and numbers appear on the handset.
- 2 If the issue persists, swap the legs. (The legs with the pre-assembled screws should be facing the user.)

If your issue persists, please contact AMQ Customer Care at cc@amqsolutions.com or (877) 801-0370.

5 Day Open Plan we provide exceptional experiences with reliable, easy interactions and successfully fulfilled orders in only 5 days



915 Walsh Avenue / Santa Clara, CA 95050 (877) 801-0370 amqsolutions.com