



PowerBolt+[™]
USB Battery

USER MANUAL



INDEX

Safety Notice 3

Intro 4

Overview 5

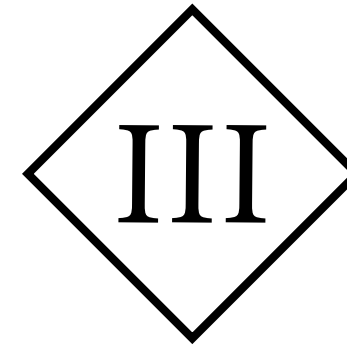
Features 6

Getting Started 7

Additional Information 8

Troubleshooting 9

SAFETY NOTICE



CLASS III SYMBOL

A Class III appliance is designed to be supplied from a separate/safety extra-low voltage (SELV) power source. The voltage from a SELV supply is low enough that under normal conditions a person can safely come into contact with it, without the risk of electrical shock. The extra safety features built into Class I and Class II appliances are, therefore, not required. For medical devices, compliance with Class III is not considered sufficient protection, and further more-stringent regulations apply to such equipment.

TECHNICAL DATA	
Operating Voltage:	5-12 V DC
Current:	UP TO 1.0 A
Ambient Temperature:	+10 to +35 °C
Relative Humidity:	30 to 75%
Dimensions (Ø X L):	H72 x W30 X L27 mm
Weight:	Approx. 85g (3oz)
Charging Port:	USB-C



BARRIER PROTECTING YOUR MACHINE

We strongly suggest the use of barrier products to protect your machine. For a visual demonstration of barrier protection methods, please visit our YouTube channel FK Irons.

This device is only for use by trained tattoo artists and not for the use by children or persons of reduced physical, sensory or mental capabilities.

LIGHTNING INTRO



THE POWERBOLT+

Unleash Your Power

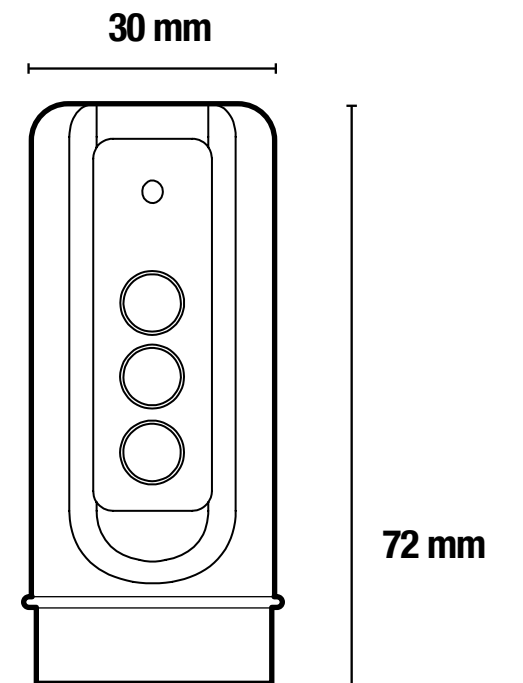
Now with 50% more battery life, for those long tedious sessions.

OVERVIEW



SPECIFICATIONS

- Output Voltage: 5 – 12 V
 - Increment/decrement voltage interval: 0.5 or 0.1V*
 - Maximum output current: 1 A
 - Charger Input: USB-C
 - Size: H72mm x W30mm x L27mm
 - Weight: 85g (3 oz)
 - Battery Life: An average of 9-10 hours (dependent on functional preferences)
- *LED will stay solid from 0.1-0.4 and will flash from 0.5-0.9



FEATURES

THE POWERBOLT+

LED Indicator:

Solid Color = Whole Value Blinking Color = Half Increment

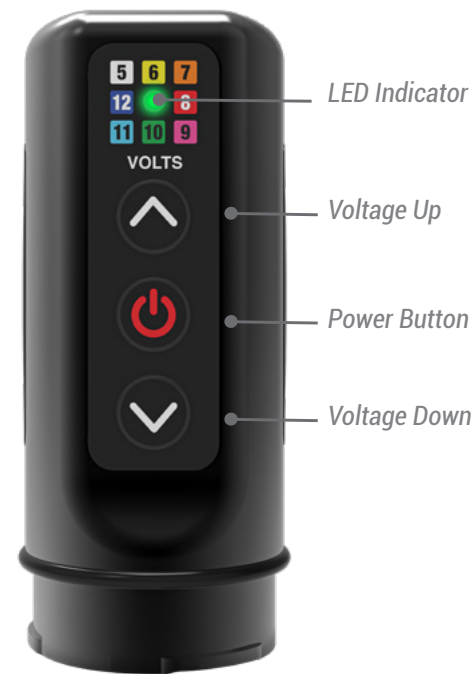
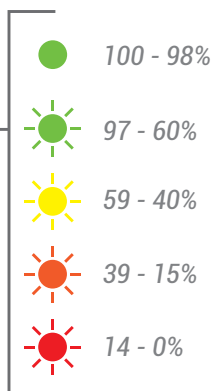
Ex. Solid green indicates 10V, flashing green indicates 10.5V

Battery Level Check:

Press and hold power button until white. A blinking colored light indicates remaining charge.

Note:

LED flashes while battery charges. Once < 15% is reached, red light will blink alternately with voltage.



Working With Modes: Pressing and releasing the power button.

Increment Mode: Default increments is 0.5 V. Press and hold until LED turns green to change to 0.1V.

LED Fade: Press and hold until LED turns Orange. This fades LED from bright to dim-automatically.

LED Dimmer: Press and hold until LED turns Cyan, then use up and down buttons to adjust.

Killswitch: Default mode enables connectivity with Killswitch. To disable connection, press and hold the power button until the pink LED flashes.

Sync Killswitch: Hold down + buttons, until LED is pink, then release buttons. Tap Killswitch about 5 times. When Killswitch displays blue LED, your device is synched.

Travel Mode (Shutdown): Press and hold the power button until the LED flashes red. This mode is for when you want to avoid unnecessary discharge and/or comply with travel laws. To reactivate, connect/disconnect to a USB-C port.

Reset (Factory Settings): Should you experience abnormal behavior, hold the power button and the voltage down button at the same time, then quickly release.

Device reset: +



DETACHING THE POWERBOLT+

Compatible with the Flux, Flux S and the EXO.



Twist the PowerBolt+ as shown and remove.

Get a firm grip and turn the body as shown with the Grip.



Flux shown in demonstration image.

DETACHING THE POWERBOLT+

The PowerBolt+ is compatible with the Flux and the EXO. To detach your PowerBolt+, ensure you have a firm grip on the Body of the Flux or EXO and Grip. Turn the PowerBolt+

counter clockwise and pull out. To attach the PowerBolt+, push in while twisting clockwise. Ensure lock mechanism moves freely. PowerBolt+ must sit correctly to ensure

power electric leads align correctly. Avoid contact with the PowerBolt+ leads while recharging or servicing.

eGIVE

eGIVE ADJUSTMENT

With this feature you'll be able to control the amount of "give" or resistance of the needle upon impact with the skin. This enables the artist to take advantage of the softness or hardness of hit to achieve specific results. 0 no effect, 5 maximum amount of eGive.

HOW TO CHECK THE CURRENT eGIVE SETTING

- Hold down the power button until the light goes from white to solid blue.
- Release the power button.
- The following blinking color that the LED displays indicates the Give that the unit is currently set at. For example:
 - If it blinks white, that indicates the lowest Give of 0
 - If it blinks yellow, it's currently set at level 1 Give
 - If it blinks orange, it's currently set at level 2 Give
 - If it blinks red, it's currently set at level 3 Give
 - If it blinks pink, it's currently set at level 4 Give
 - If it blinks green, it's currently set at level 5 (softest eGive setting)

CHANGING eGIVE

To raise or lower the give:

- Hold down the power button until the light goes from white to solid blue.
- Release the power button and immediately use the up or down arrows to change the give.

The colors should change accordingly.



ADDITIONAL INFORMATION

VOLTAGE PARAMETERS

While voltage is a parameter that will vary from artist to artist, the PowerBolt has been tested to operate at a minimum voltage of around 5-Volts with a maximum voltage of 12-Volts. Depending on the type of needle configuration, or brand you use, feel free to adjust the voltage to obtain the desired performance. **NOTE: Some machines require a minimum voltage to operate correctly, please check your machine manufacturer's requirements.**

WARRANTY

Darklab warrants that the device will perform efficiently when used as intended. Should this product prove to be defective due to manufacturing issues, Darklab will repair/replace the device - free of charge. This warranty will be void if the device shows signs of having been tampered, disassembled, handled roughly, dropped, overexposed to moisture or damage resulting in compromised functionality.

HANDY TIPS

The following tips will help you get the most out of your PowerBolt and avoid potential issues:

- Do not exceed the suggested voltage.
- Use only FDA-approved cold sterilization solutions for disinfection.
- **NOT AUTOCLAVABLE.**

ADDITIONAL INFORMATION**TROUBLESHOOTING****1.- Machine Manufacturer**

FK Irons: 1771 NW 79th Avenue, Doral, Florida 33126

2.- Servicing Your Machine

As for any mechanical device, FK Irons strongly suggests that you service your device once a year to ensure all working parts are working as expected. This ensures the optimal condition of all working parts including internal machine clean up and fresh lubrication. Routine servicing will ensure that your machine remains functioning like the very first day. Service is subject to fees.

3.- Warning

Disconnect machine from any power before making any adjustments.

For service inquiries, please contact service@fkirons.com.

For additional tips and tutorials, please visit [Youtube.com/fkirons](https://www.youtube.com/fkirons)