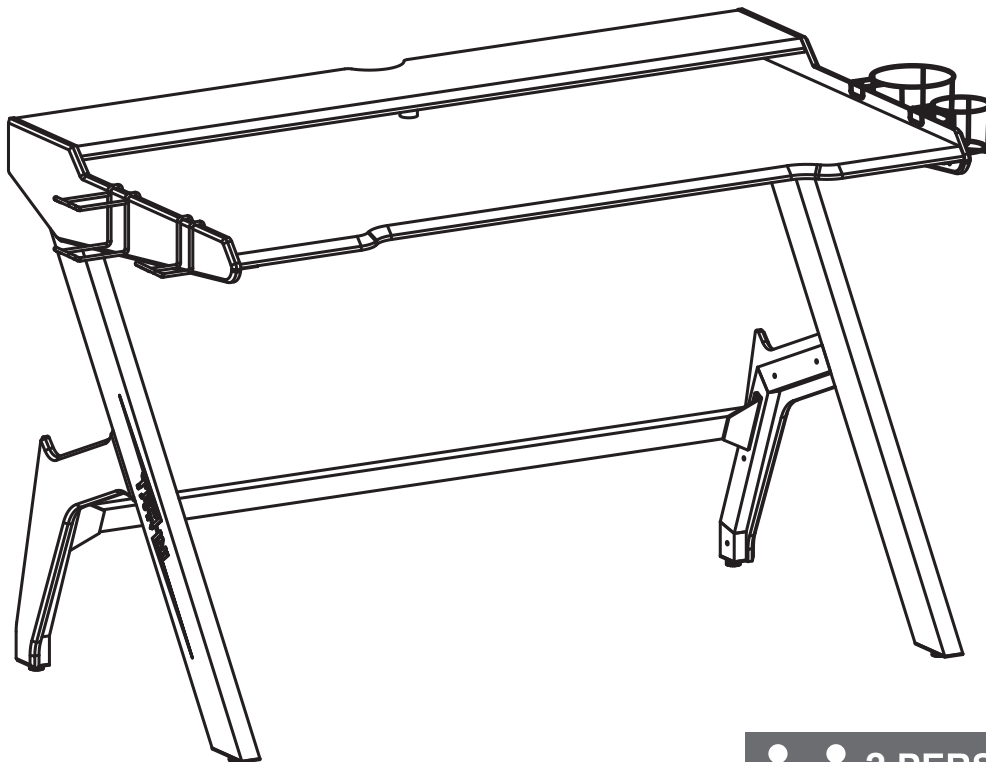




MODEL RTA-TS206

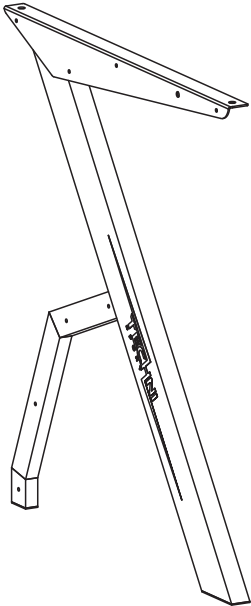
ASSEMBLY INSTRUCTIONS

Thank you for purchasing one of our products.
Please read carefully the assembly instructions before the installation.
Do not discard this manual or any of the packaging material until the unit
has been completely assembled.

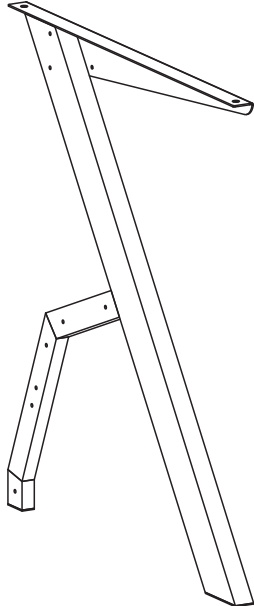


MAIN PARTS LIST

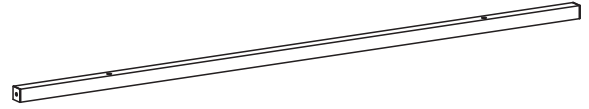
1 Left leg structure
x1



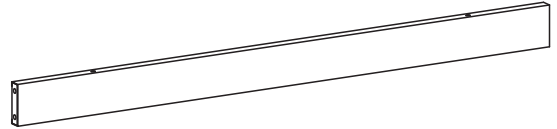
2 Right leg structure
x1



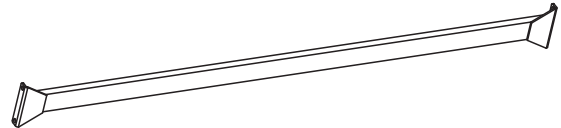
3 Front-Top bar
x1



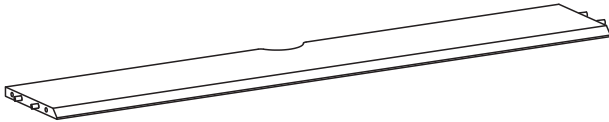
4 Back-top structure
x1



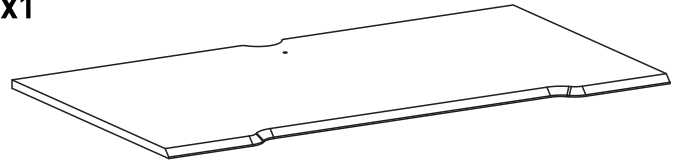
5 Back-bottom structure
x1



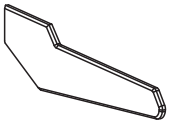
6 Top shelf
x1



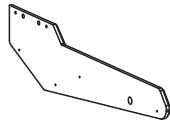
7 Main panel
x1



8 Left side panel
x1



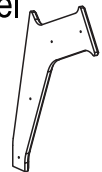
9 Right side panel
x1



10 Left ornament panel
x1



11 Right ornament panel
x1



12 Support tube for shelf
x1



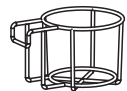
13 Control holder
x1



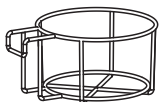
14 Accessory holder
x1



15 Small cup holder
x1



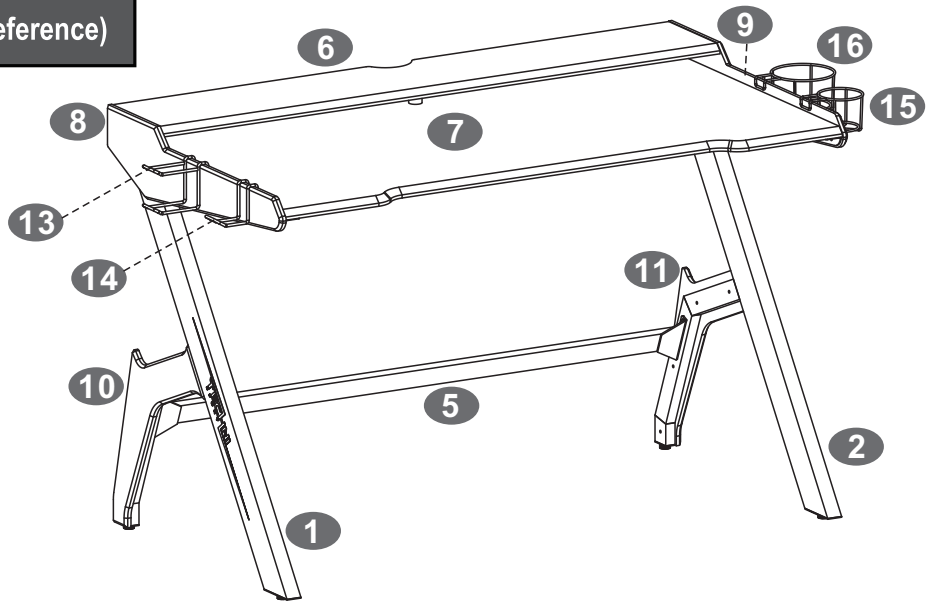
16 Large cup holder
x1



17 Stud
x4



MAIN PARTS LAYOUT (For reference)

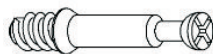


SCREWS

PART	QTY.	ITEM		PART	QTY.	ITEM	
A	10	6X12 MM		F	8	4X28 MM	
B	6	6X20 MM		G	4	6X25 MM	
C	2	6X35 MM		H	2	Φ24 MM	
D	1	6X65 MM			1		
E	8	4X12 MM					

- This unit uses cam bolts and locks. The following explains how to use them.
- This is not an assembly step; it is a guide for when you are actually doing the assembly using this kind of hardware.

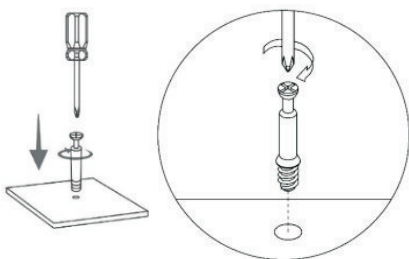
Cam Bolt



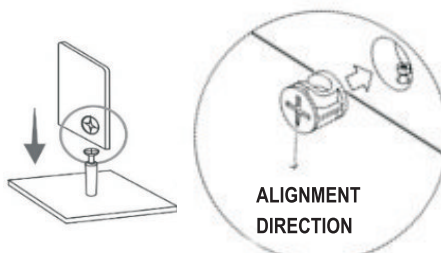
Cam Lock



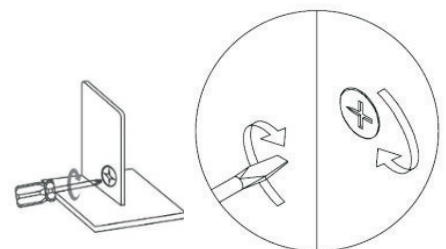
1. Screw the bolt into the corresponding panel.



2. In the other panel, insert the cam lock and align it so it can properly receive the bolt, then join both panels (the cam locks might come pre-installed in this unit).



3. The panels might have a very small gap which is normal; turn the cam lock clockwise to lock the parts together and the gap will also close.

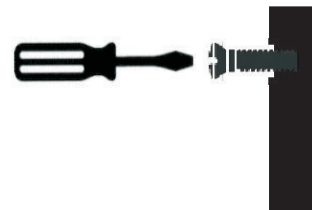


BEFORE YOU START THE ASSEMBLY, PLEASE READ THE FOLLOWING TIPS AND WARNINGS.

1 Do a quick inventory to make sure the package contains all the parts and hardware listed in the assembly instructions.



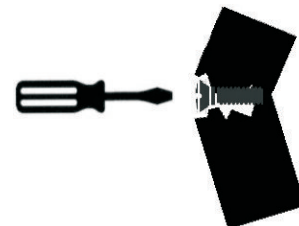
7 To avoid misalignments, always leave the screws loose and tighten them until all pieces are positioned correctly.



2 Missing, damaged and defective parts can be replaced at no cost to you. Please refer to the CONTACT card included with the product.



8 Do not overtighten or force the screws as they might break, strip, damage the threads of the holes or get stuck inside the part.



3 The replacement parts service is limited to the continental United States. If you reside in Hawaii, Puerto Rico, U.S. Dependencies or other countries, please contact the supplier from where the unit was purchased.



9 Sometimes the laminate might cover partially or entirely the hole on a panel. If there is no visible hole for the screw, pass and press the tip of your finger over the area where the hole should be located to feel the indentation, and once found, carefully pierce the laminate to reveal the hole underneath.



4 If during assembly you find an issue or need clarification, please contact our Customer Service for assistance. Please refer to the CONTACT card included with the product.



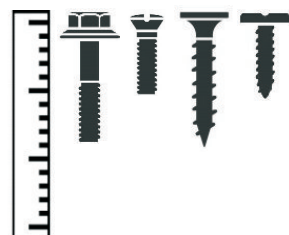
5 On each step read the instructions and analyze the illustrations thoroughly before proceeding to do the assembly.



10 If the hole seems too small for the screw, first make sure you are using the correct size of screw and that it's been installed in the correct hole. If the hole still appears to be too small, carefully pierce the laminate to reveal the hole's actual size.



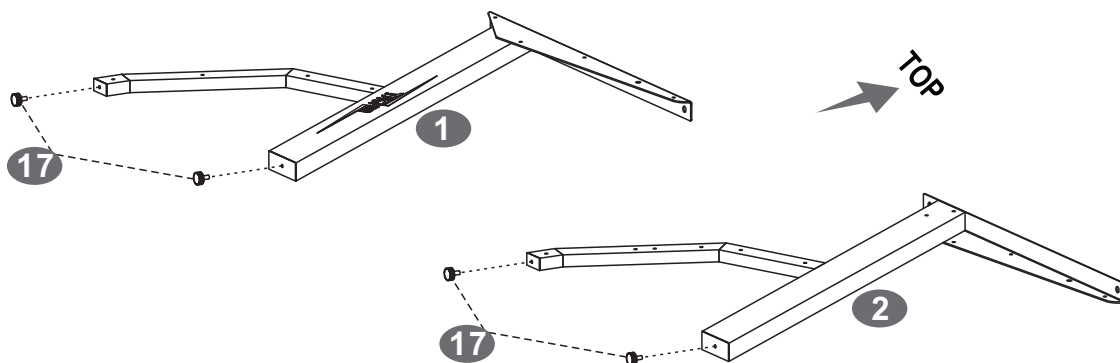
6 Make sure you understand which hardware will be used on each step. Using the wrong size of screw, bolt or pin might strip the threads or cause damage to the part in which it is being used.



ASSEMBLY STEPS

STEP 1

Insert the studs ⑰ into the bottom of the leg structures ① and ② .



STEP 2

SCREW LOOSELY AND DO NOT TIGHTEN ANY SCREWS IN THIS STEP!

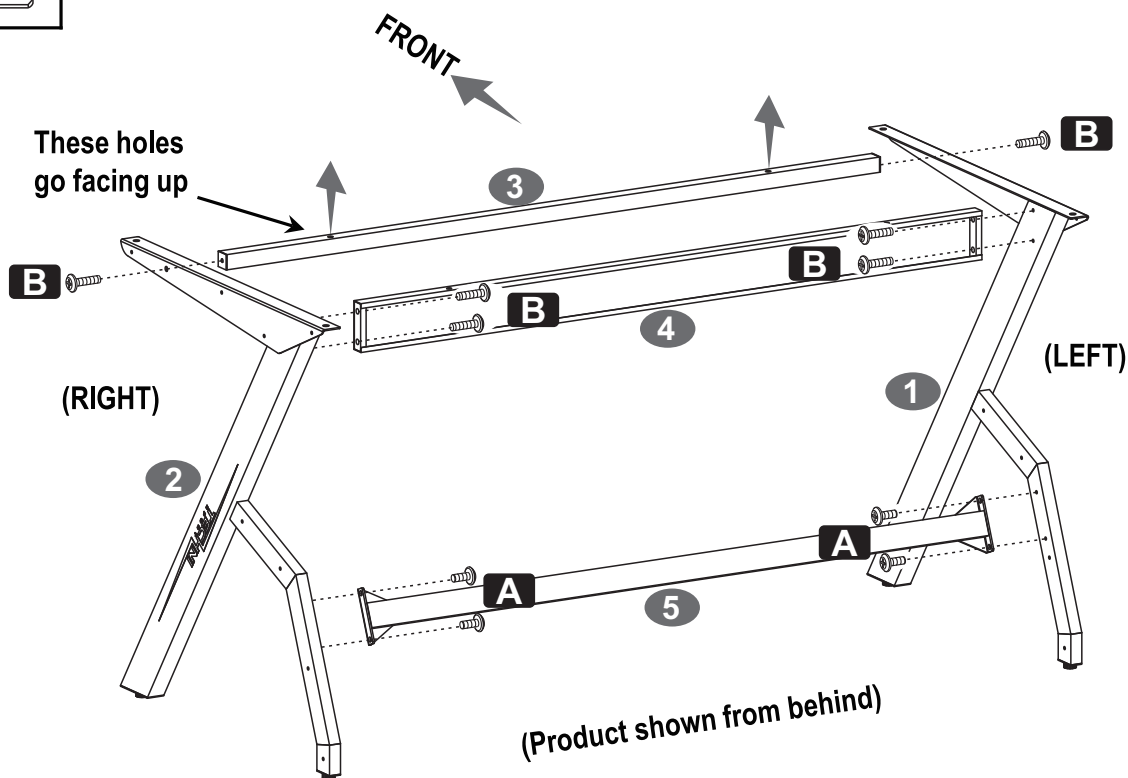
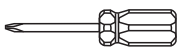
Assemble in between the leg structures ① and ② :

- The front-top bar ③ using screws ⓑ from the outside;
- The back-top structure ④ using screws ⓑ from the inside;
- The back-bottom structure ⑤ using screws Ⓐ from the inside.

Hardware/Tools:




Ⓐ 6x12mm 4 Pcs

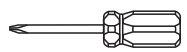
ⓑ 6x20mm 6 Pcs



STEP 3

Hardware/Tools:

A		6 Pcs
C		2 Pcs
H		2 Pcs

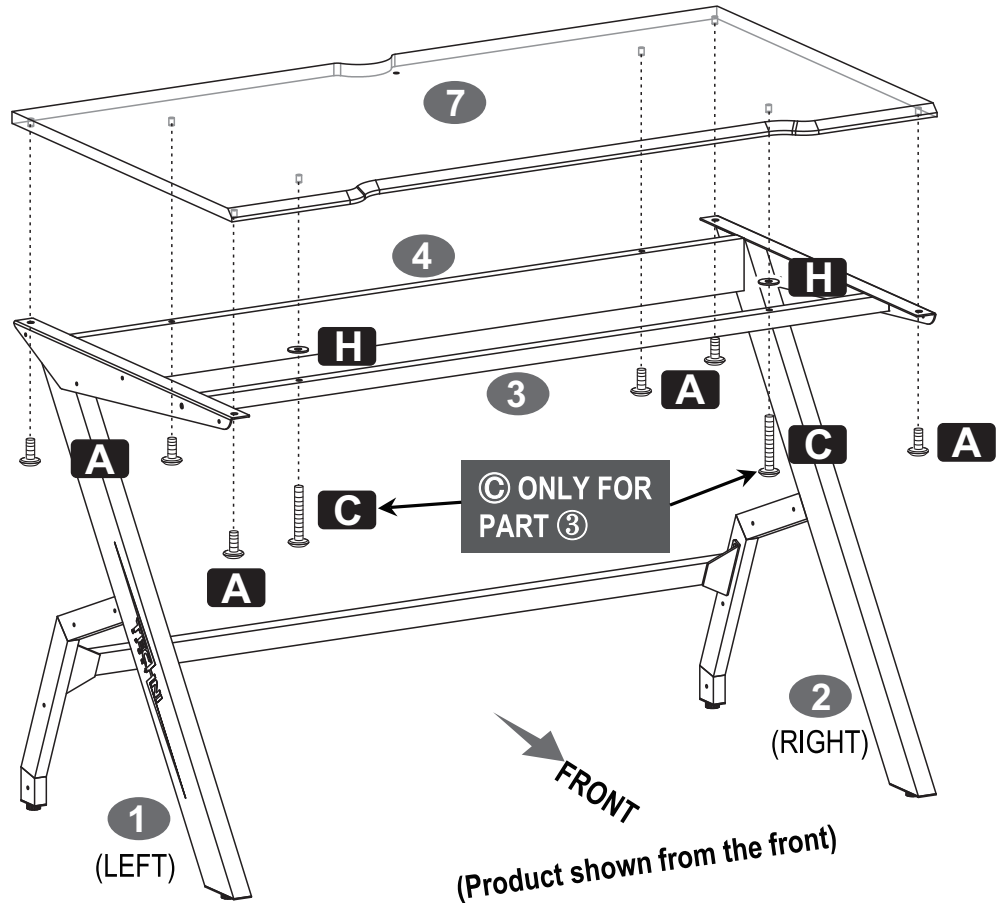


**2 PERSONS
REQUIRED**

SCREW LOOSELY AND DO NOT TIGHTEN ANY SCREWS UNTIL THE END OF THIS STEP!
First place the washers **H** over the holes of the front-top bar **3**, and with the help of another person, place the main panel **7** over the structures making the holes coincide. Then assemble the main panel **7** using:

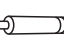
- Screws **A** for the structures **1**, **2** and **4** from underneath.
- Screws **C** for the front-top bar **3** from underneath.

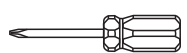
Now you can proceed to tighten all the screws from step 2 and step 3.



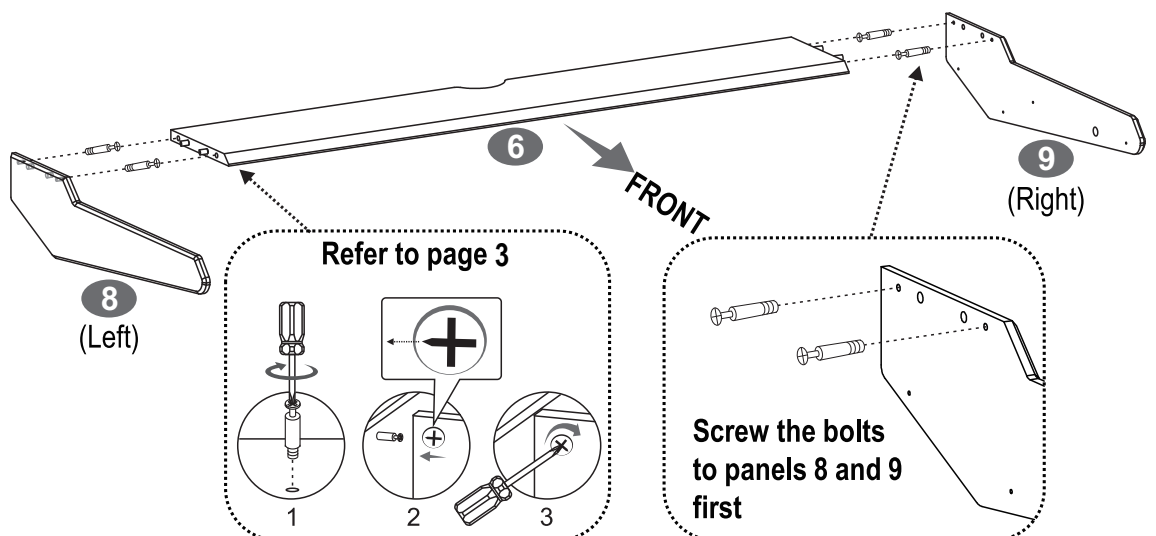
STEP 4

Hardware/Tools:

G		4 Pcs
----------	---	----------

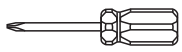


First screw the bolts **G** in the corresponding holes on the side panels **8** and **9**, then assemble them to the top shelf **6** as shown and as explained in page 4.



STEP 5

Hardware/Tools:



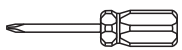
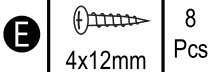
 2 PERSONS
REQUIRED

Place the support tube **12** over the back hole on the main panel **7**, and with the help of another person, carefully place and assemble the top shelf **6** using screw **D** from underneath the main panel, thru the tube, and into the top shelf as shown. The second person must keep holding and balancing the top shelf parts while finishing this and the next step.



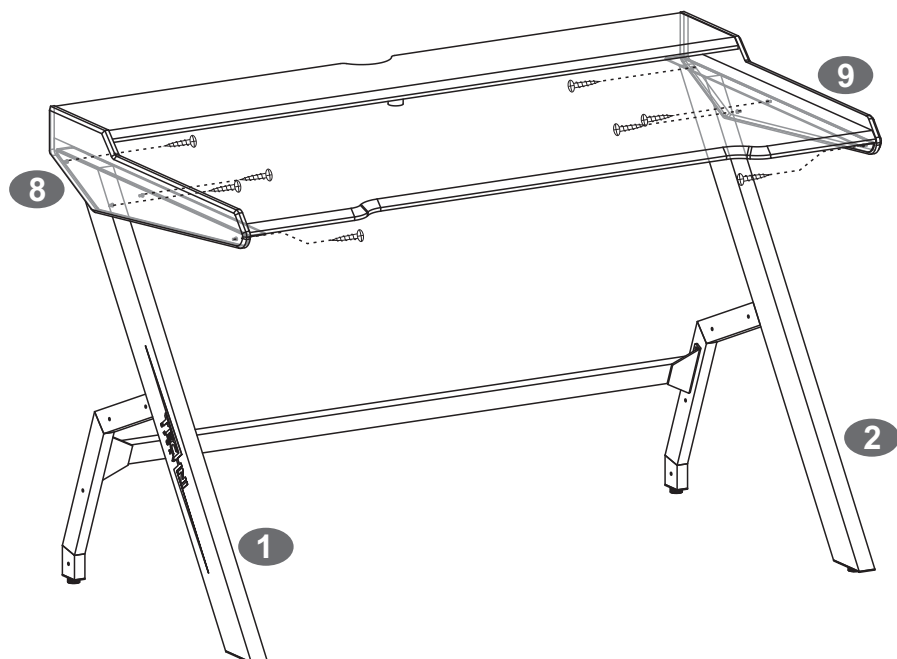
STEP 6

Hardware/Tools:



 2 PERSONS
REQUIRED

Assemble the side panels **8** and **9** to the leg structures **1** and **2** on the corresponding sides using screws **E** from inside as shown.

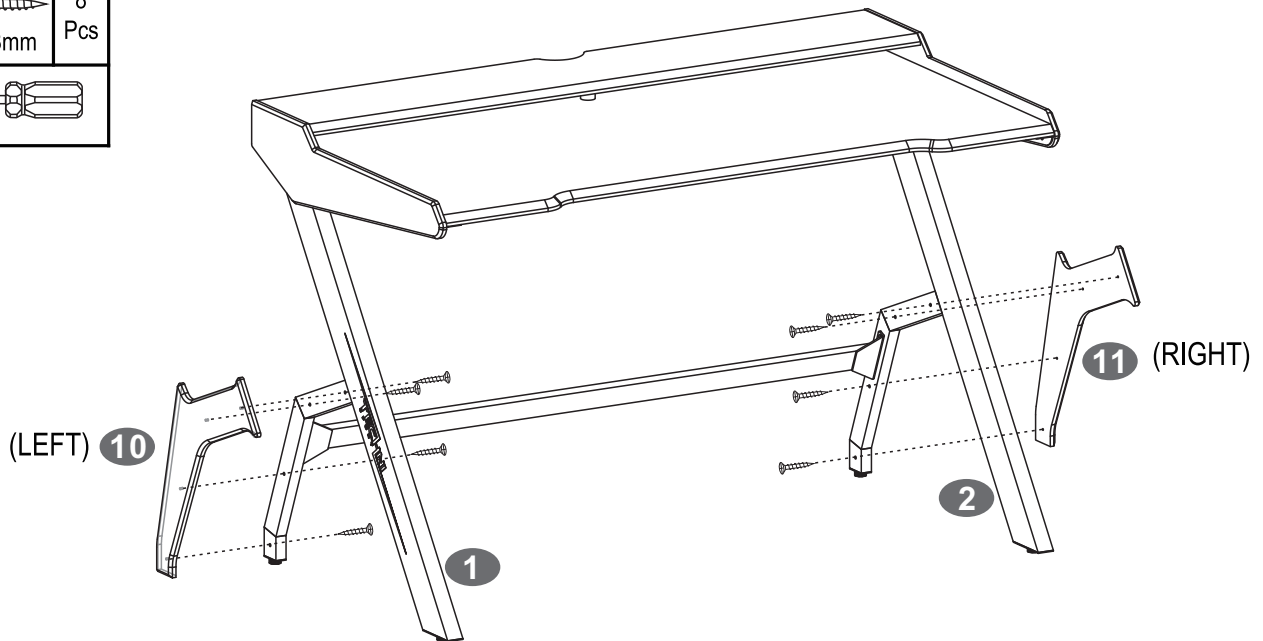
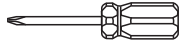


STEP 7

Assemble the ornament panels ⑩ and ⑪ to the leg structures ① and ② on their respective sides using screws ⑤ from inside as shown.

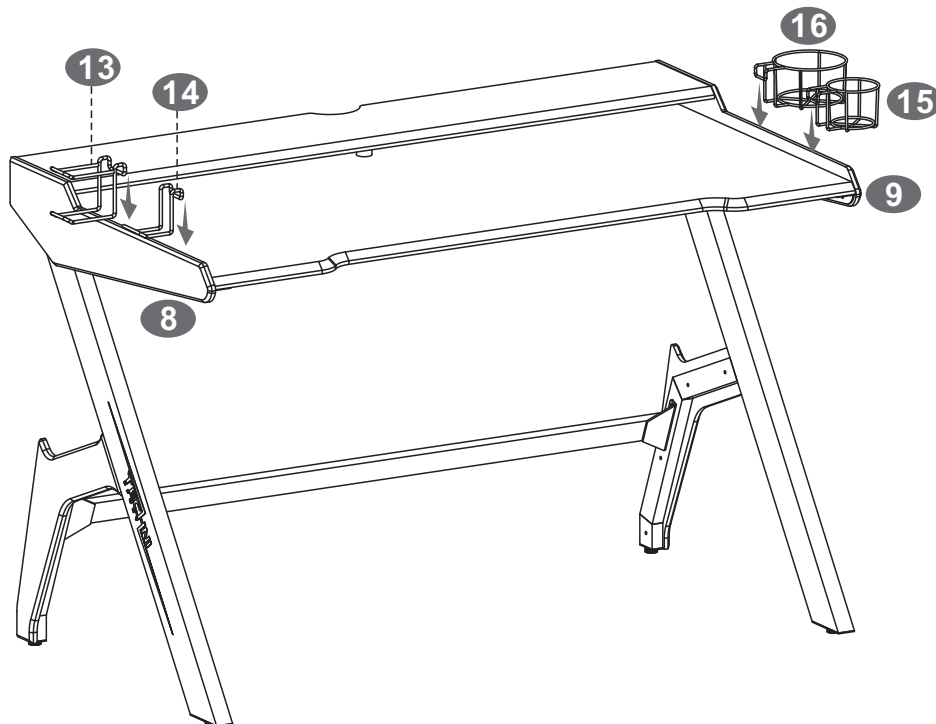
Hardware/Tools:

⑤
4x28mm 8 Pcs



STEP 8

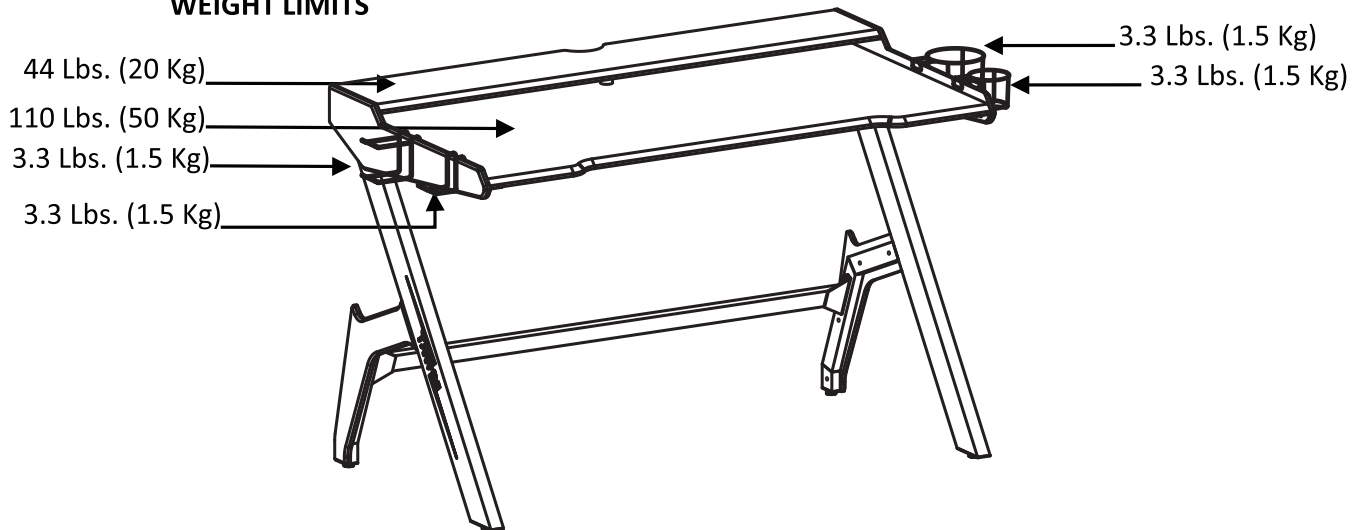
Hang all the accessories ⑬, ⑭, ⑮ and ⑯ over the panels ⑧ and ⑨ on the side of your preference. The illustration shows a suggestion.



ALL DONE! Before you start using the unit, make sure that all the screws, bolts, cam locks, etc. are properly tightened, and read all the warnings in the next page.

**AFTER THE ASSEMBLY IS DONE, PLEASE READ CAREFULLY THE FOLLOWING
CARE AND MAINTENANCE WARNINGS:**

WEIGHT LIMITS



- Do not exceed the indicated weight limits.
- Do not expose the surfaces to direct sunlight or to extreme environmental conditions.
- Clean the surfaces preferable with a clean cloth damped in a solution of mild soap and water, then dry with a clean towel.
- Do not use solvents or abrasive materials to clean the unit.
- If you decide to use a cleaning agent, test first on an area hidden from view such as underneath the tabletop.
- Do not seat on the unit or lean against it.
- Do not allow small children to play under or over the unit.
- The unit must be handled by at least 2 persons when moving in the same or adjacent rooms.
- Before moving the unit, make sure to secure or remove any object that is heavy or might fall off.
- When lifting the unit, use both hands and bend your knees, not your backs.
- When transporting the unit to places far away, protect and secure the unit to avoid damage in transit.
- Shall any part of the unit become defective during the warranty period, replacement parts might be available to you at no charge. Please refer to the WARRANTY card included with the product.
- The warranty does not extend to regular wear and tear, nor the manufacturer assumes liability for damages or consequences due to accidents, incorrect assembly, negligence, improper use, modifications, or not heeding the above warnings.
- The warranty is limited to the continental United States. If you reside in Hawaii, Puerto Rico, U.S. Dependencies or other countries, please contact the supplier from where the unit was purchased.