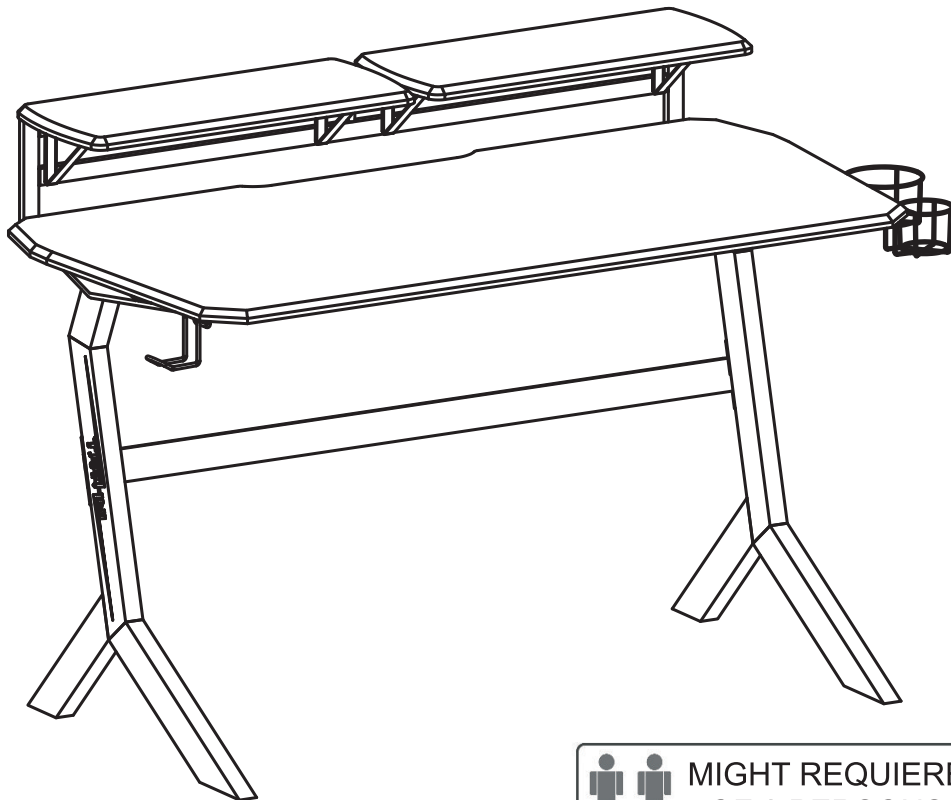




MODEL RTA-TS201
ASSEMBLY INSTRUCTIONS

Thank you for purchasing one of our products.
Please read carefully the assembly instructions before the installation.
Do not discard this manual or any of the packaging material until the unit
has been completely assembled.

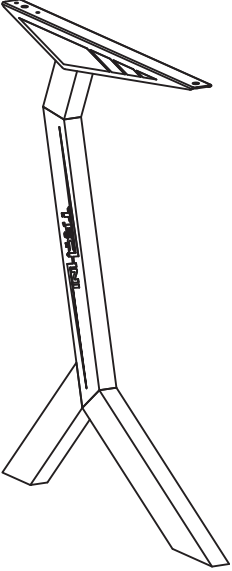
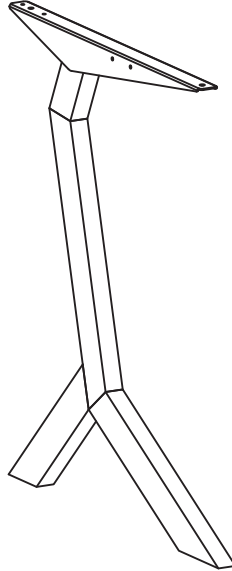
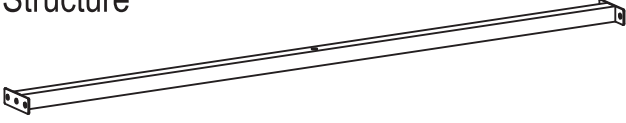
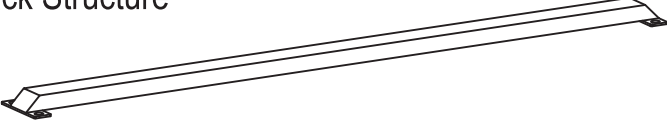





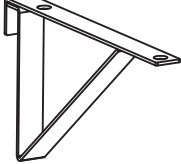

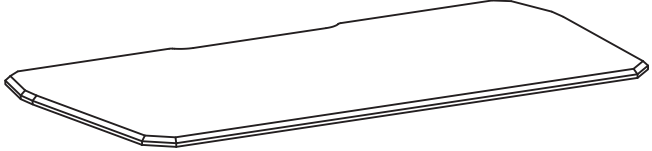
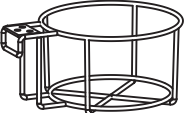
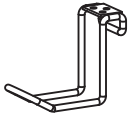
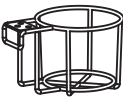
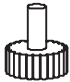



 MIGHT REQUIERE
OF 2 PERSONS

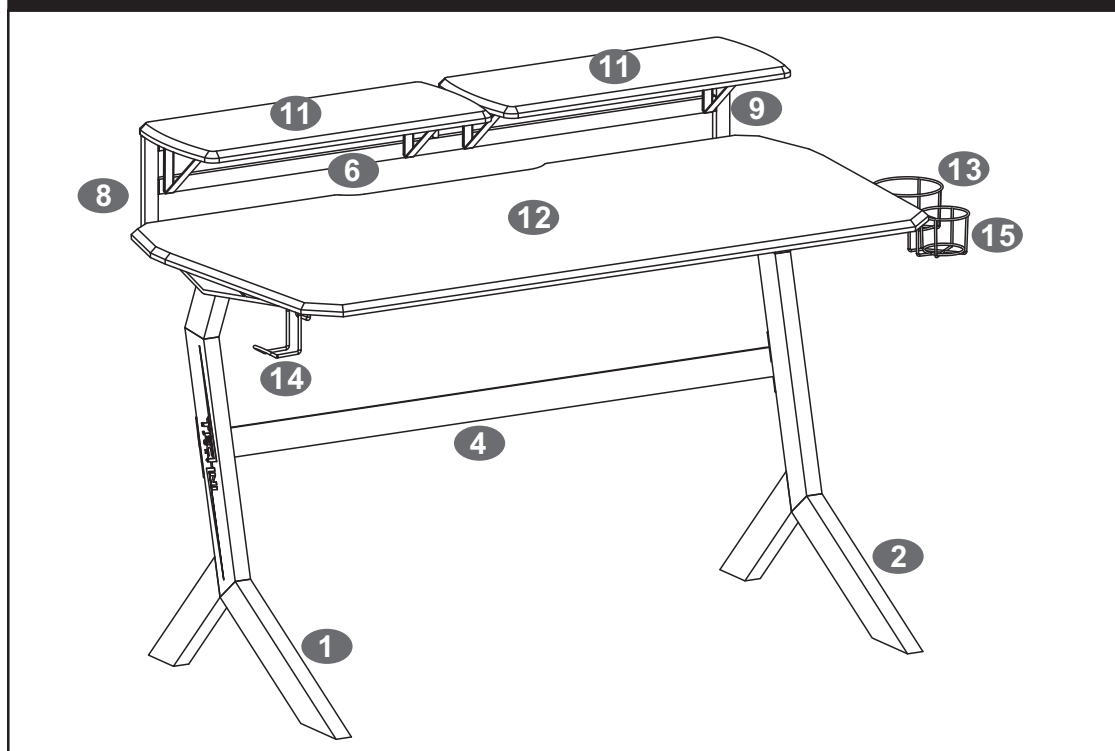
Distributed By



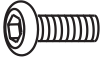

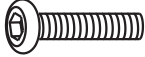

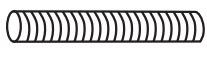



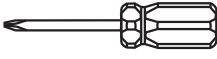
MAIN PARTS LIST

<p>#1 Left Leg Structure x1</p> 	<p>#2 Right Leg Structure x1</p> 	<p>#3 Top Structure x1</p> 		
		<p>#4 Back Structure x1</p> 		
		<p>#5 Top Support Tube x1</p> 		
		<p>#6 Bottom Support Tube x1</p> 		
<p>#7 Connector Tube x1</p> 	<p>#8 Left "L" Structure x1</p> 	<p>#9 Right "L" Structure x1</p> 	<p>#10 Monitor Structure x4</p> 	
<p>#11 Monitor Panel x2</p> 		<p>#12 Main Panel x1</p> 		
<p>#13 Large Cup Holder x1</p> 	<p>#14 Headset Hanger x1</p> 	<p>#15 Small Cup Holder x1</p> 	<p>#16 Studs x4</p> 	<p>#17 Support hooks x4</p> 

MAIN PARTS LAYOUT (FOR REFERENCE):



SCREWS LIST:

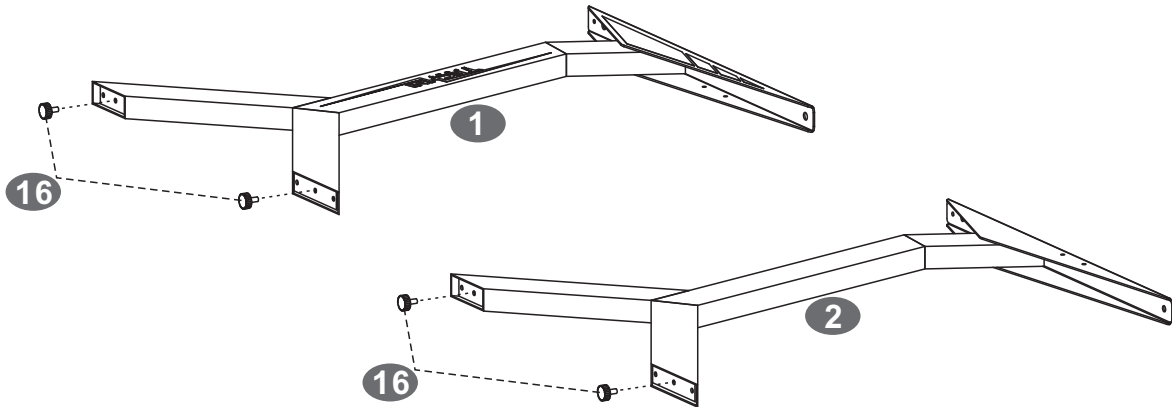
PART	QTY.	ITEM	FIGURE
A	18	6x12mm	
B	4	6x15mm	
C	6	6x25mm	
D	2	6x35mm	
E	1	6x40mm	
F	9	4x14mm	
G	8	Φ 10mm	
H	1	Allen Wrench M4	
I	1	Screwdriver	

BEFORE YOU START THE ASSEMBLY, PLEASE READ THE FOLLOWING TIPS AND WARNINGS.

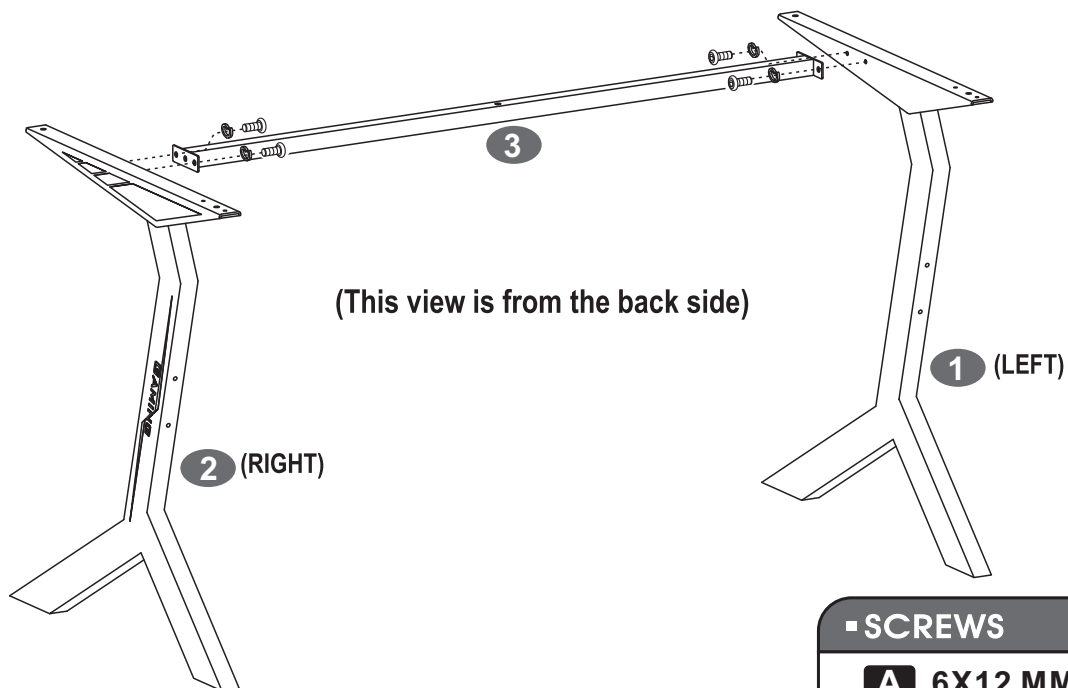
- Do a quick inventory to make sure the product contains all the parts and hardware.
- Missing, damaged and defective parts can be replaced at no cost to you. Please refer to the CONTACT card included with the product.
- The replacement parts service is limited to the continental United States. If you reside in Hawaii, Puerto Rico, U.S. Dependencies or other countries, please contact the supplier from where the unit was purchased.
- If during assembly you find an issue or need clarification, please contact our Customer Service for assistance. Please refer to the CONTACT card included with the product.
- On each step read the instructions and analyze the illustrations thoroughly before proceeding to do the assembly.
- To avoid misalignments, always leave the screws loose and tighten them until all pieces are positioned correctly.
- Do not overtighten or force the screws as they might break, strip, damage the threads of the holes or get stuck inside the part.
- Sometimes the laminate might cover partially or entirely the hole on a panel, but the hole should still be located under the laminate.
- If there is no visible hole for the screw, pass and press the tip of your finger over the area where the hole should be located to feel the indentation, and once found, carefully pierce the laminate to reveal the hole underneath.
- If the hole seems too small for the screw, first make sure you are using the correct size of screw and that it's been installed in the correct hole. If the hole still appears to be too small, carefully pierce the laminate to reveal the hole's actual size.
- Make sure you understand which hardware will be used on each step. Using the wrong size of screw, bolt or pin might strip the threads or cause damage to the part in which it is being used.

ASSEMBLY STEPS

- 1** Insert the studs (16) to the bottom of the leg structures left (1) and right (2) as shown.



- 2** Using screws (A) and O'rings (G), assemble the top structure (3) between the leg structures left (1) and right (2) as shown.



- SCREWS

A 6X12 MM

 x4

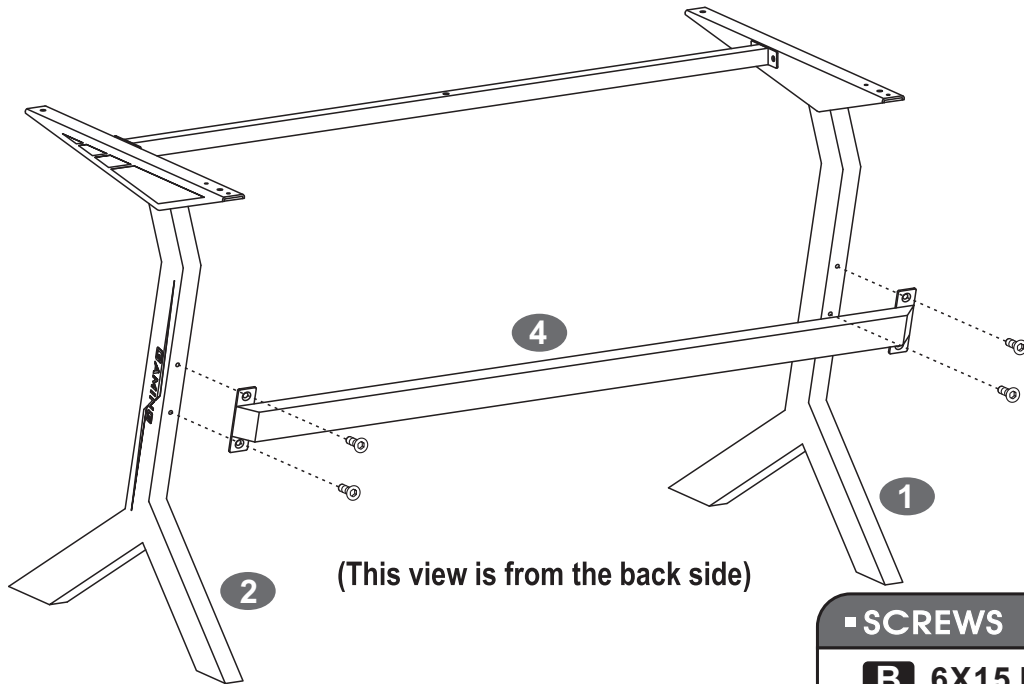


G Φ 10MM

 x4

3



Using screws (B) assemble the back structure (4) to the leg structures left (1) and right (2) as shown.



(This view is from the back side)

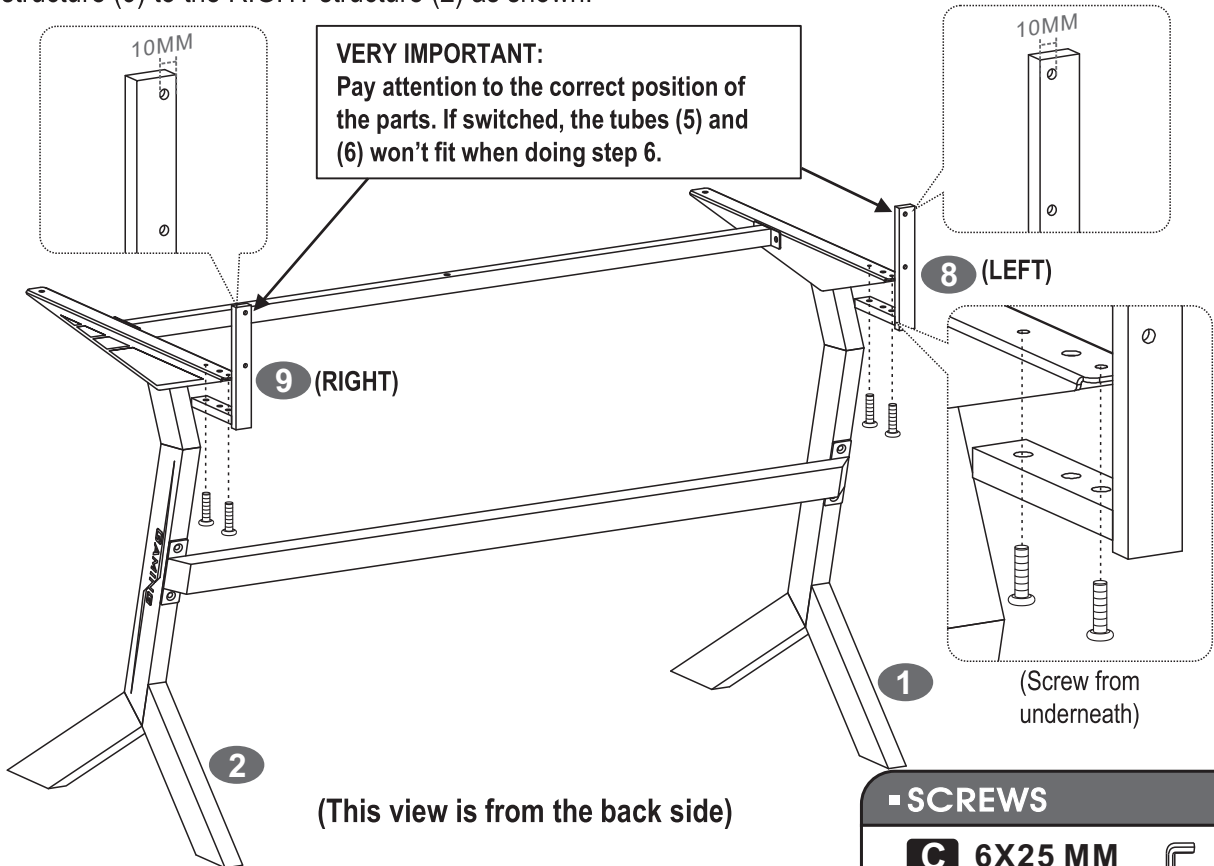
- SCREWS

B 6X15 MM

 **x4** 

4



Using screws (C), assemble the LEFT "L" structure (8) to the LEFT structure (1), and the RIGHT "L" structure (9) to the RIGHT structure (2) as shown.



(This view is from the back side)

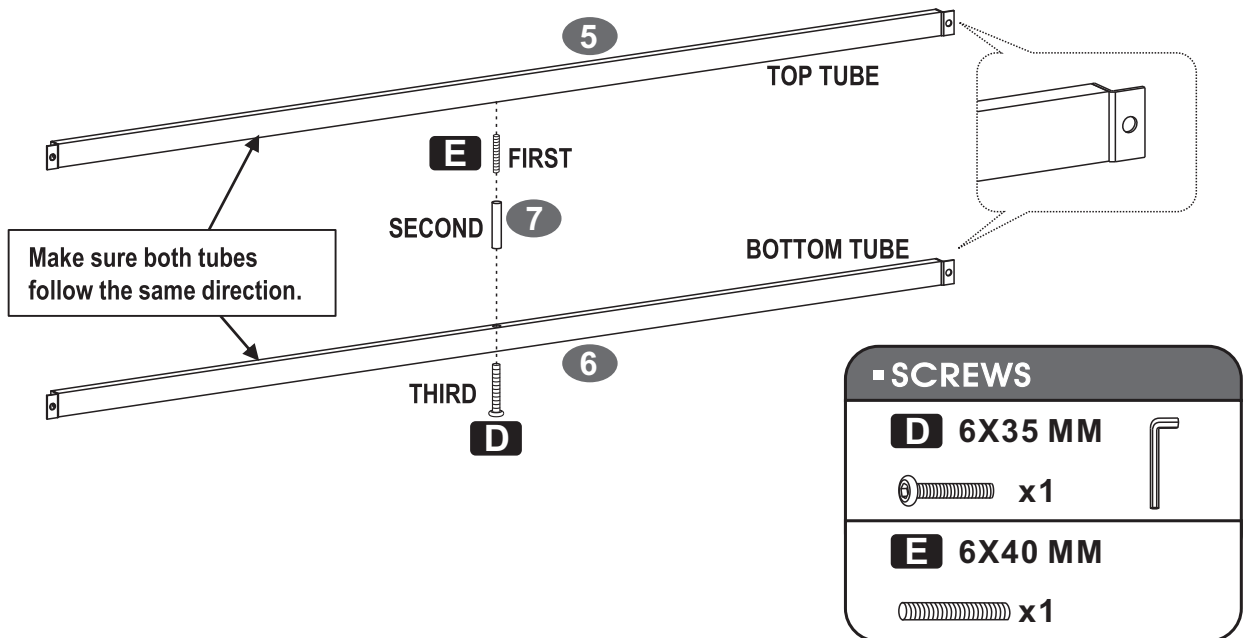
- SCREWS

C 6X25 MM

 **x4** 

5

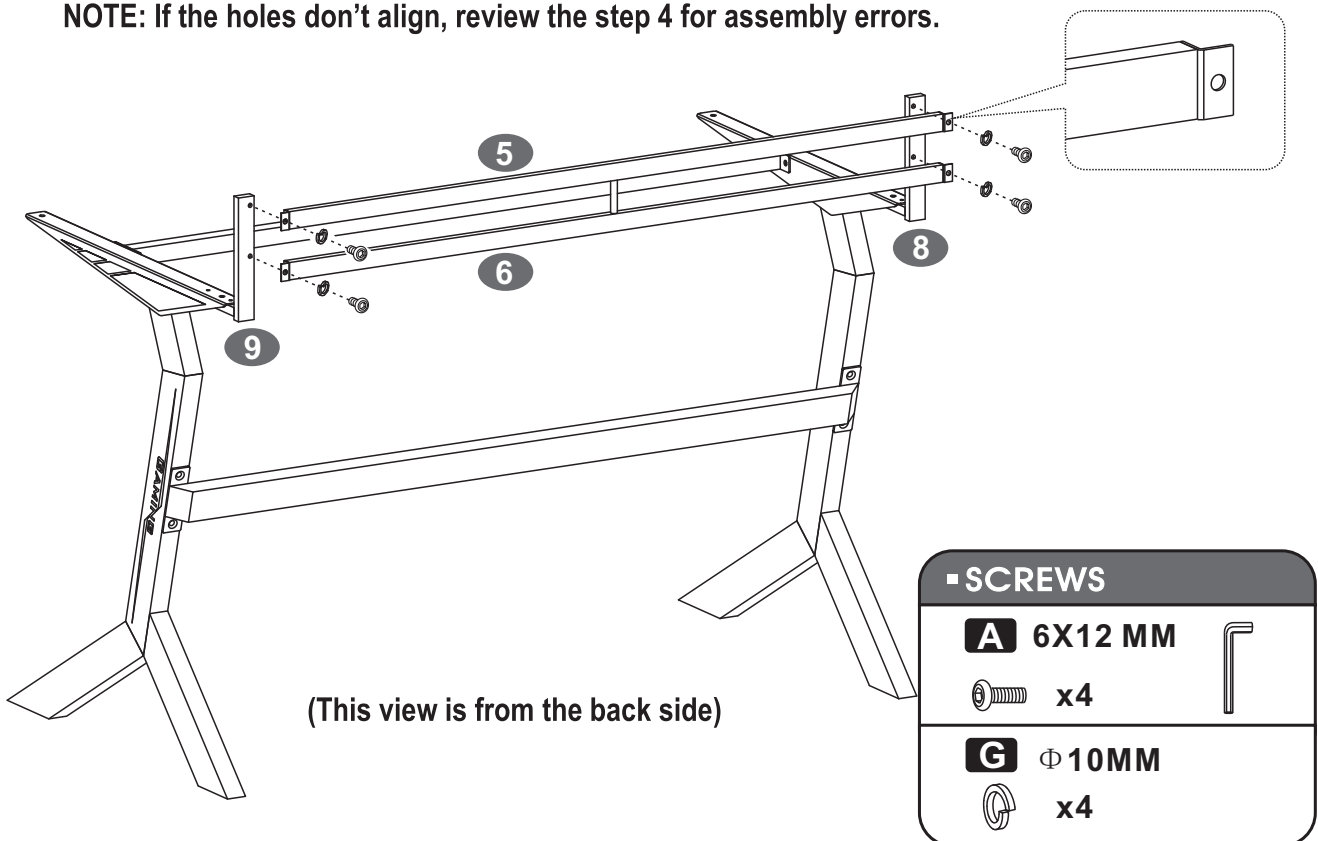
With the parts oriented as shown, first insert the screw (E) in the center hole of the top support tube (5). Then insert the connector tube (7) to the screw (E). Finally, insert one screw (D) through the center hole of the bottom support tube (6) and screw it into the tube (7) as shown. DO NOT TIGHTEN THE SCREWS YET TO ALLOW FLEXIBILITY FOR THE NEXT STEP.



6

Using screws (A) and O'rings (G), assemble the structures (5) and (6) to the structures in "L" (8) and (9) as shown. You can now proceed to tighten the screws (D) and (E) from the previous step.

NOTE: If the holes don't align, review the step 4 for assembly errors.



7 Pay attention to the correct screws that will need to be used. To avoid misalignments, first place all the screws loose.

Working with the frame facing towards the front, place the main panel (12) over it making the holes coincide. Then screw loosely using the following screws:

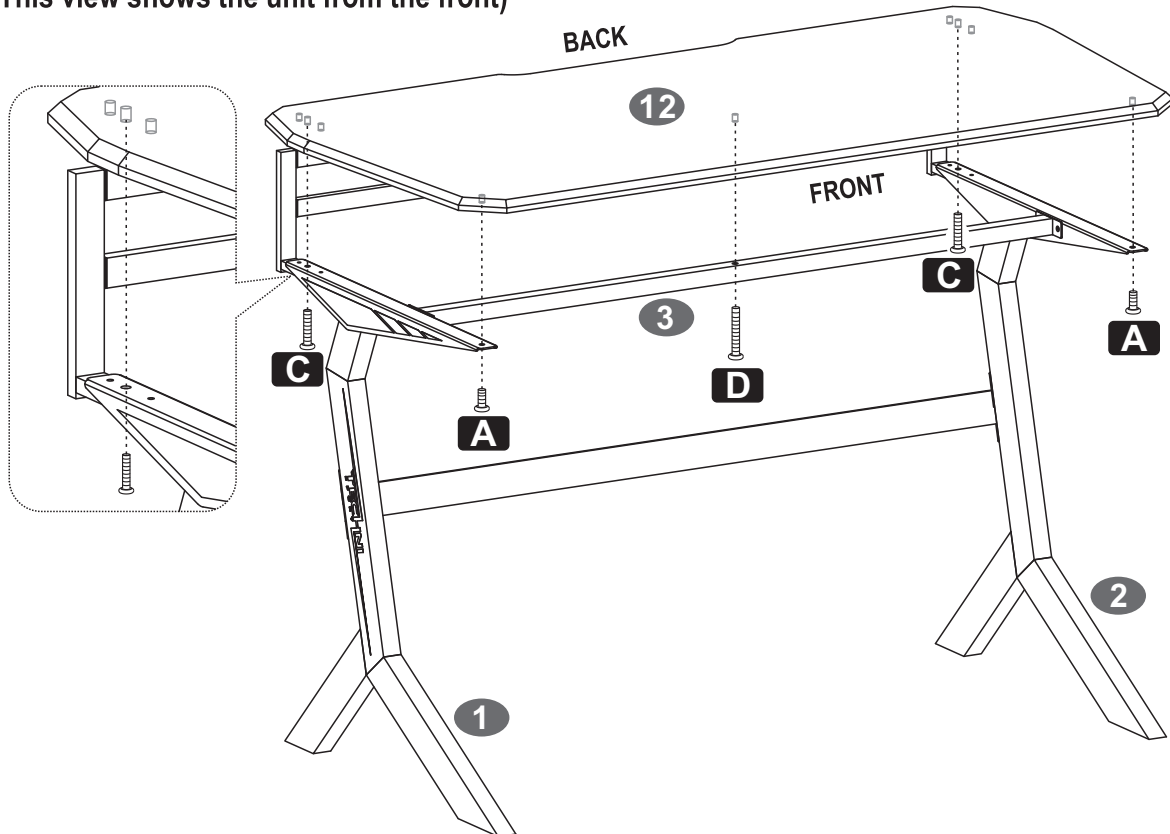
(A): For the front holes.

(C): For the back holes.

(D): For the center hole.

Once all the screws are in place, proceed to tighten them.

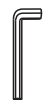
(This view shows the unit from the front)



■ SCREWS

A 6X12 MM

 x2



C 6X25 MM

 x2



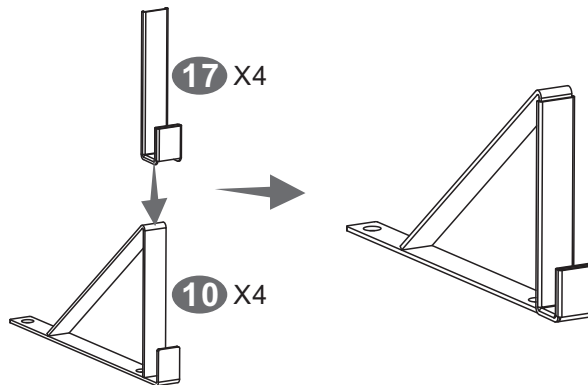
D 6X35 MM

 x1



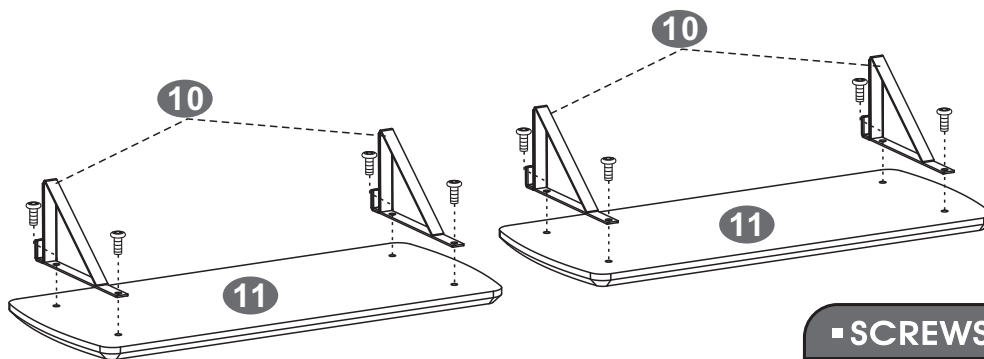
8

Place the support hooks (17) into the monitor structures (10) as shown.



9

Assemble the monitor structures (10) to the monitor panels (11) using screws (A) as shown.



▣ SCREWS

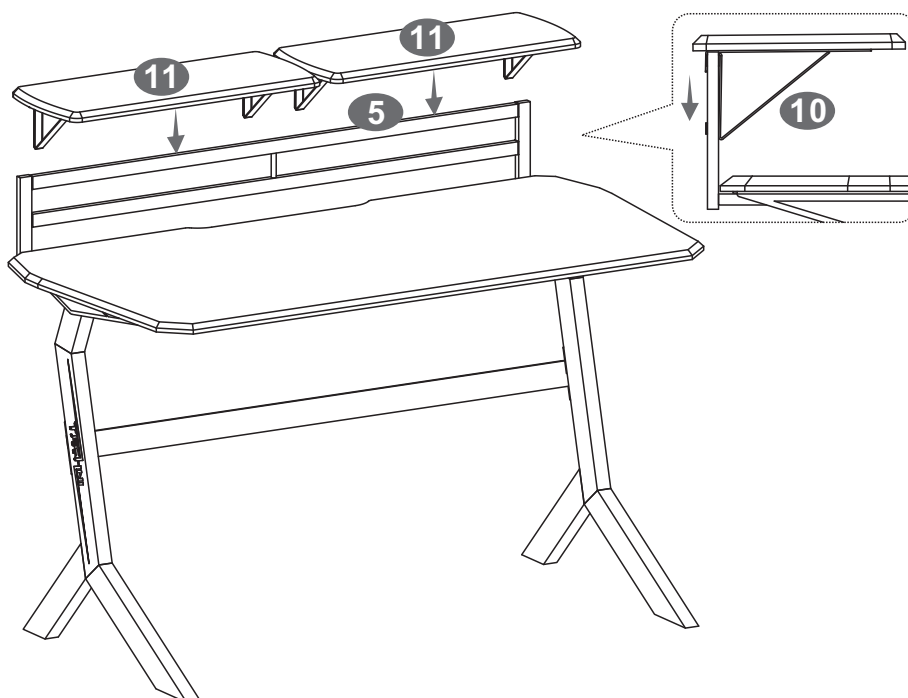
A 6X12 MM

 x8



10

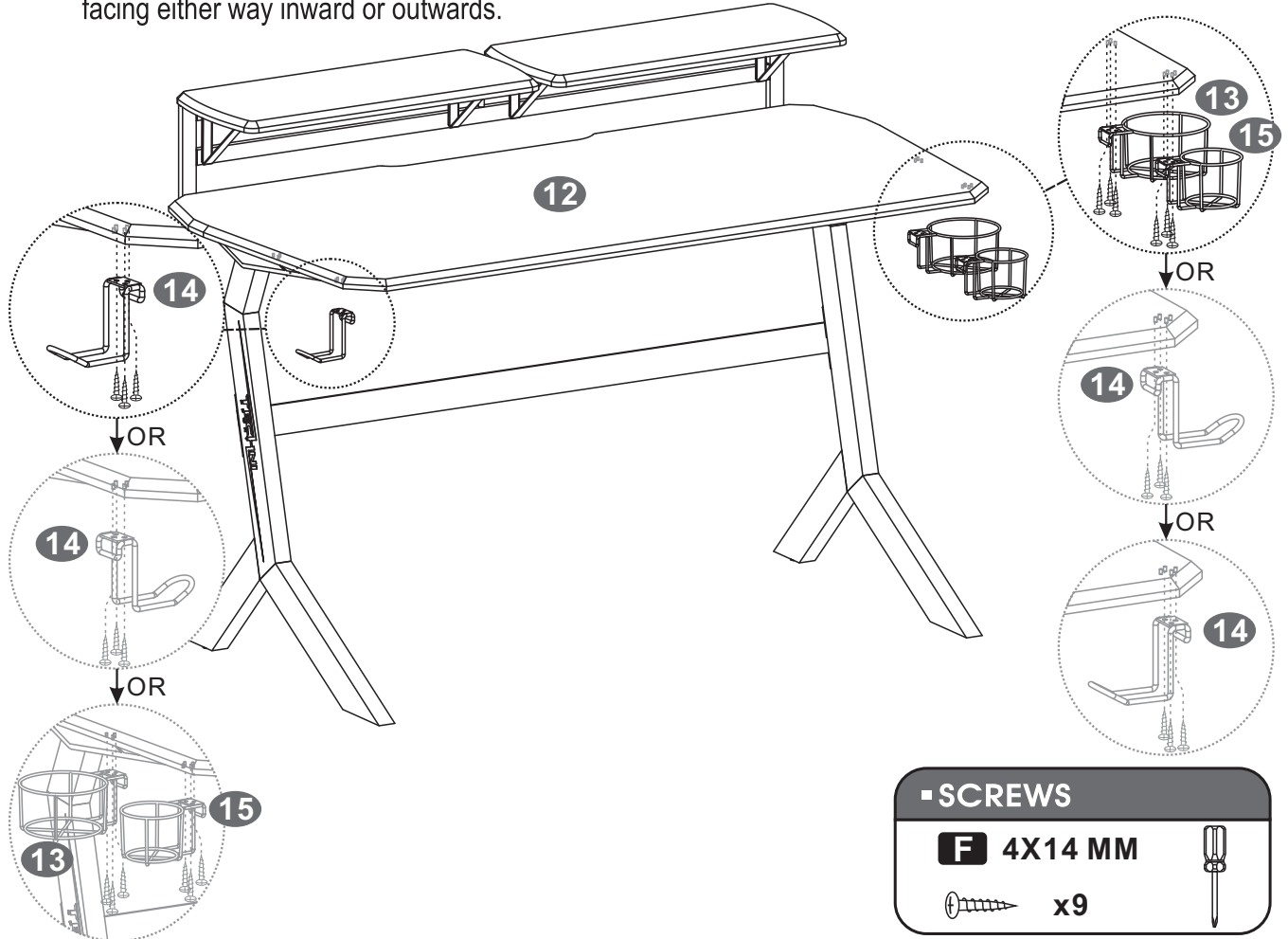
Place the monitor shelves making sure the hooks secure on the top support tube (5) as shown.



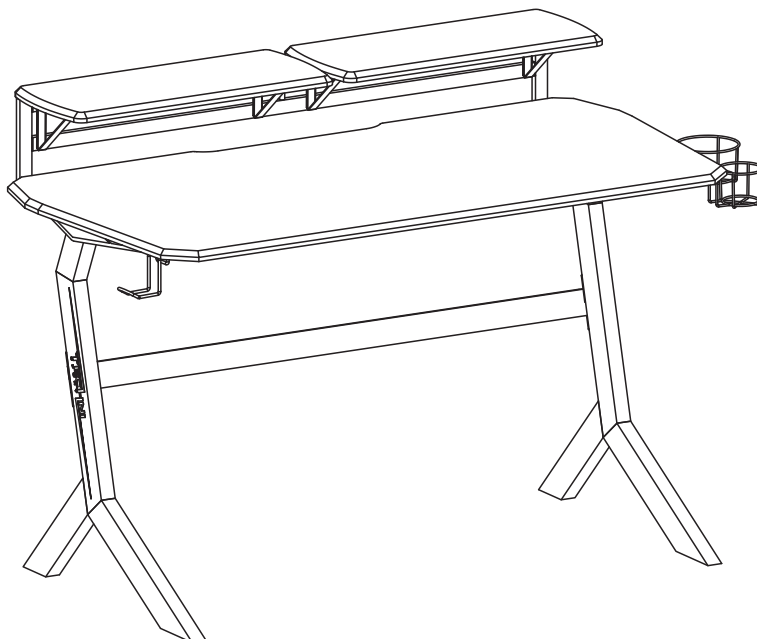
11

▣ You have different options for the assembly of the accessory items on either side of the unit; install them according to your needs.

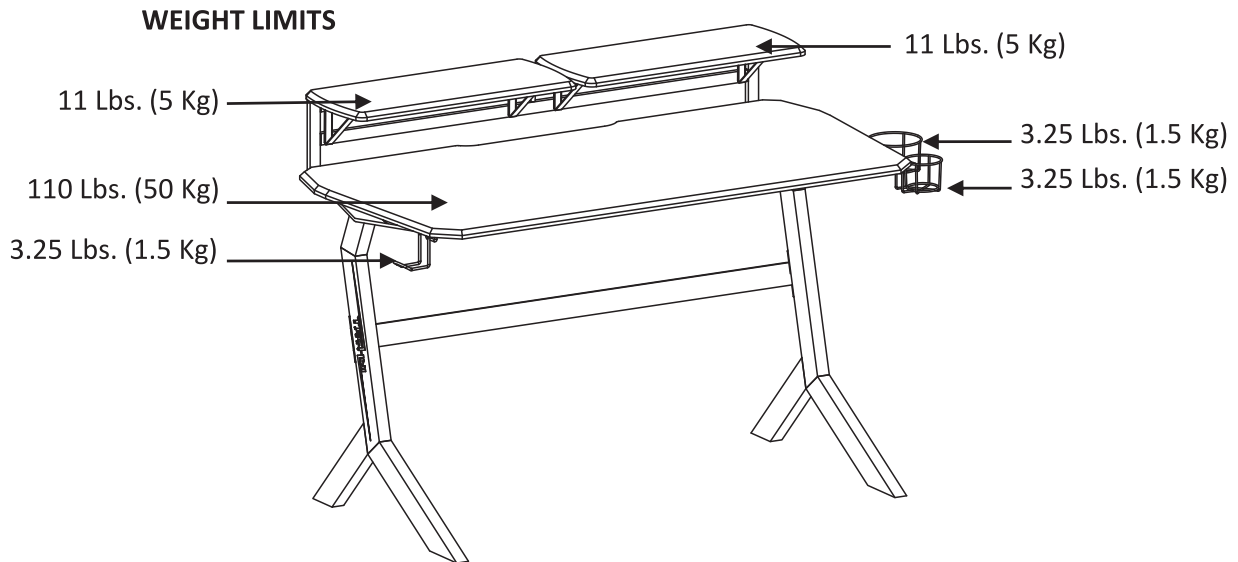
Using screws (F), assemble on either side and from underneath the main panel (5), the large cup holder (13), the small cup holder (15), and the headset hanger (14). You can install the headset hanger (14) facing either way inward or outward.

**12**

DONE! Before you start using, please read all the warnings in the next page..



**AFTER THE ASSEMBLY IS DONE, PLEASE READ CAREFULLY THE FOLLOWING
CARE AND MAINTENANCE WARNINGS:**



- Do not exceed the indicated weight limits.
- Do not expose the surfaces to direct sunlight or to extreme environmental conditions.
- Clean the surfaces preferable with a clean cloth dampened in a solution of mild soap and water, then dry with a clean towel.
- Do not use solvents or abrasive materials to clean the unit.
- If you decide to use a cleaning agent, test first on an area hidden from view such as underneath the tabletop.
- Do not seat on the unit or lean against it.
- The unit must be handled by at least 2 persons when moving in the same or adjacent rooms.
- Before moving the unit, make sure to remove any object that is heavy or might fall off, and try to handle it from their structures. Lifting from the tabletop alone might put too much stress on the screws which can lead to part damage/separation.
- When lifting the unit, use both hands and bend your knees, not your backs.
- When transporting the unit to places far away, protect and secure the unit to avoid damage in transit.
- Should any part of the unit become defective during the warranty period, replacement parts might be available to you at no charge. Please refer to the WARRANTY card included with the product.
- The warranty does not extend to regular wear and tear, nor the manufacturer assumes liability for damages or consequences due to accidents, incorrect assembly, negligence, improper use, modifications, or not heeding the above warnings.