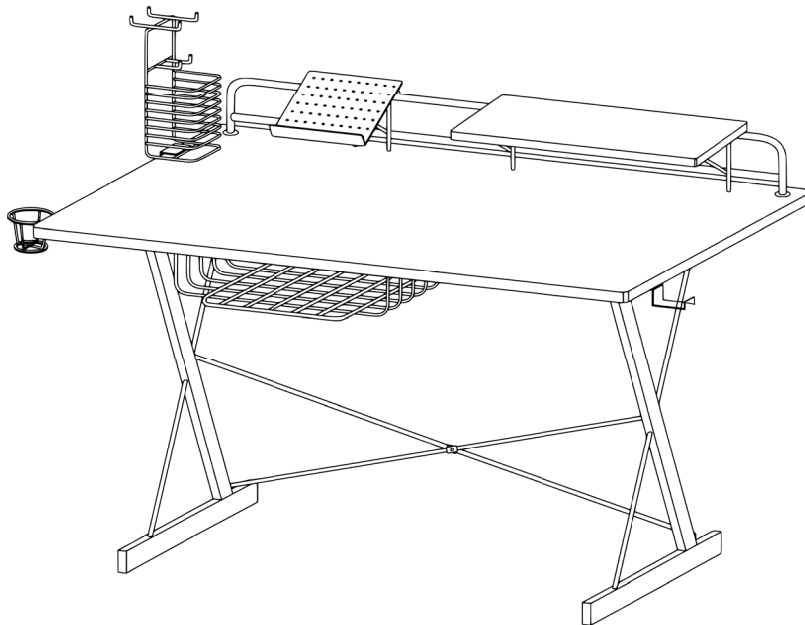




# MODEL RTA-TS200

## ASSEMBLY INSTRUCTIONS

Thank you for purchasing our product.





- Please read carefully the assembly instructions before the installation.

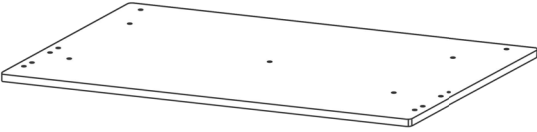
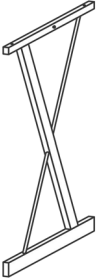

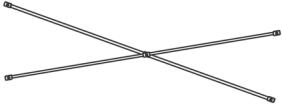



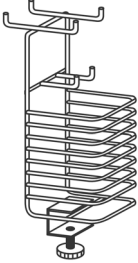

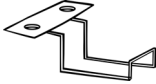
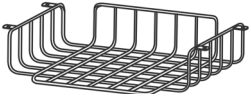


- Do not discard this manual or any of the packaging material until the unit has been completely assembled.













- Might require two people.

### MAIN PARTS LIST

<b>1</b> <b>x1</b> Tabletop 	<b>2</b> <b>x2</b> Legs 	<b>3</b> <b>x1</b> Horizontal bar 	
<b>4</b> <b>x2</b> Cross bars 	<b>5</b> <b>x1</b> Top support bar 	<b>6</b> <b>x2</b> Monitor shelf 	<b>7</b> <b>x4</b> Shelf support 
<b>9</b> <b>x1</b> CD Holder 	<b>10</b> <b>x1</b> Cup holder 	<b>11</b> <b>x1</b> Headphones holder 	<b>12</b> <b>x1</b> Wire basket 

### LIST OF HARDWARE, SCREWS AND FITTINGS

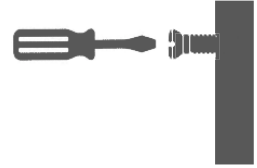
PART	QTY	ITEM		PART	QTY	ITEM	
<b>A</b>	2	M6x45		<b>F</b>	2	Ø6x12	
<b>B</b>	7	M6x30		<b>G</b>	4	Glide Studs	
<b>C</b>	5	M6x12		<b>H</b>	4	M6x10	
<b>D</b>	1	ØM6		<b>I</b>	8	M6x15	
<b>E</b>	4	ST4x12			1	Allen Wrench	

**BEFORE YOU START THE ASSEMBLY, PLEASE READ THE FOLLOWING TIPS AND WARNINGS.**

**1** Do a quick inventory to make sure the package contains all the parts and hardware listed in the assembly instructions.



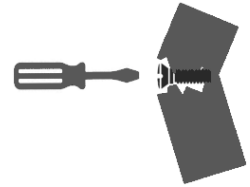
**7** To avoid misalignments, always leave the screws loose and tighten them until all pieces are positioned correctly.



**2** Missing, damaged and defective parts can be replaced at no cost to you. Please refer to the last pages on this manual.



**8** Do not overtighten or force the screws as they might break, strip, damage the threads of the holes or get stuck inside the part.



**3** The replacement parts service is limited to the 48 contiguous United States. If you reside in Alaska, Hawaii, Puerto Rico, U.S. territories or other countries, please contact the supplier from where the unit was purchased.



**9** Sometimes the laminate might cover partially or entirely the hole on a panel. If there is no visible hole for the screw, pass and press the tip of your finger over the area where the hole should be located to feel the indentation, and once found, carefully pierce the laminate to reveal the hole underneath.



**4** If during assembly you find an issue or need clarification, please contact our Customer Service for assistance. Please refer to the last pages on this manual.



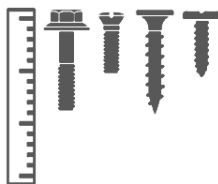
**5** On each step read the instructions and analyze the illustrations thoroughly before proceeding to do the assembly.




**10** If the hole seems too small for the screw, first make sure you are using the correct size of screw and that it's been installed in the correct hole. If the hole still appears to be too small, carefully pierce the laminate to reveal the hole's actual size.



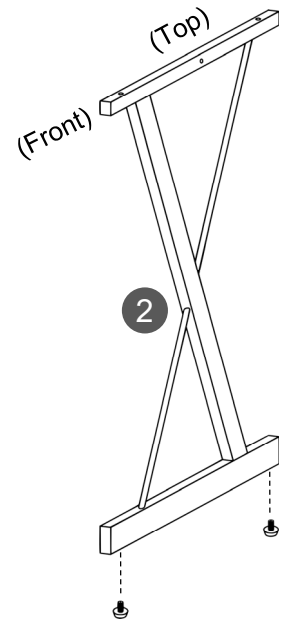
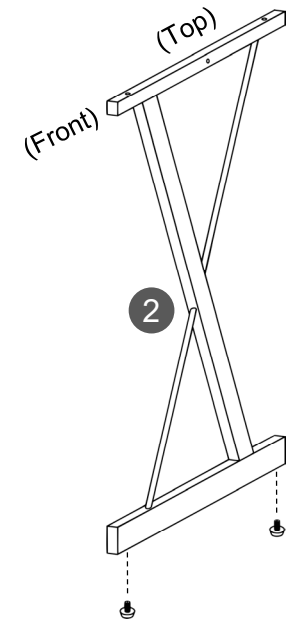
**6** Make sure you understand which hardware will be used on each step. Using the wrong size of screw, bolt or pin might strip the threads or cause damage to the part in which it is being used.





**ASSEMBLY STEPS**

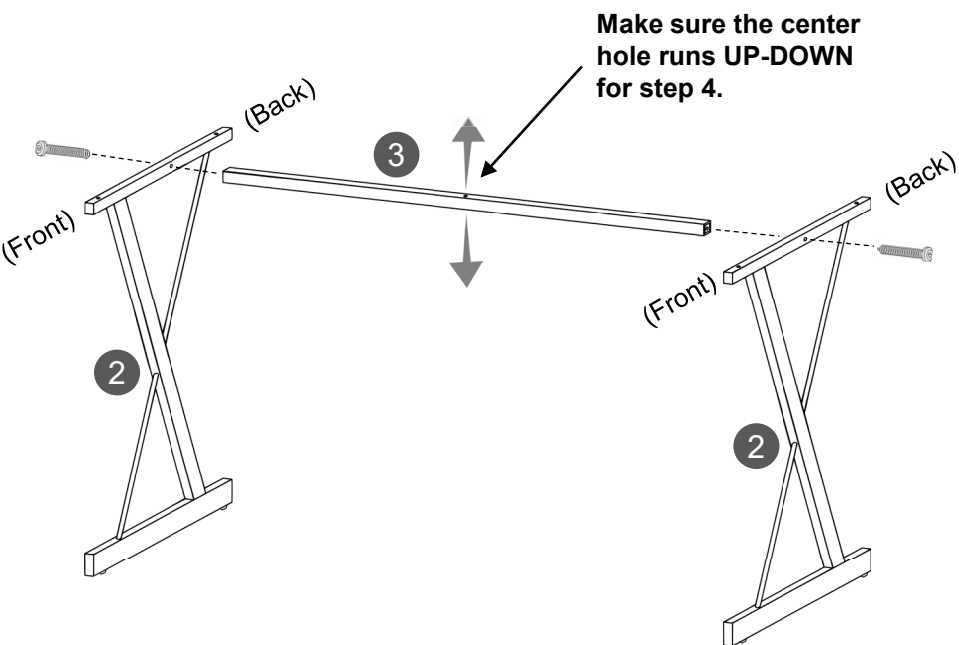
<b>STEP 1</b>		
Hardware:		
<b>G</b>		4 Pcs

Insert the Glide studs **G** into the bottom holes of the Legs **2**.


<b>STEP 2</b>		
Hardware:		
<b>A</b>		2 Pcs
M6x45		
		

Assemble the Horizontal bar **3** in between the Legs **2** with screws **A**, making sure the center hole on the bar runs **UP-DOWN**.

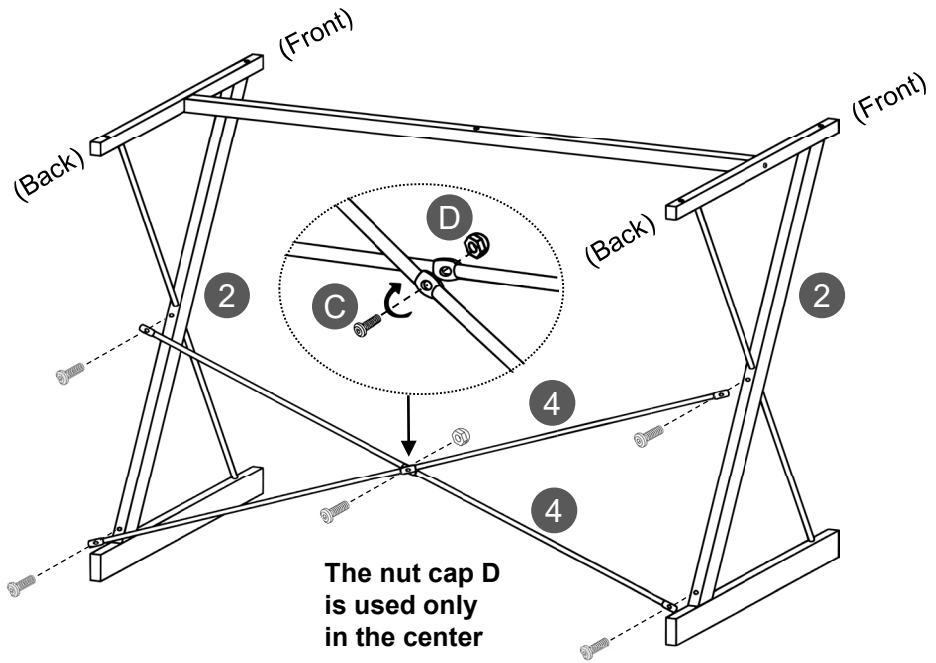


**STEP 3**

**Hardware:**


<b>C</b>		5 Pcs
<b>D</b>		1 Pc

- From behind the frame, assemble the Cross bars **4** to the Legs **2** with screws **C**.
- Secure both Cross bars **4** in the center with screw **C** and Nut cap **D**.

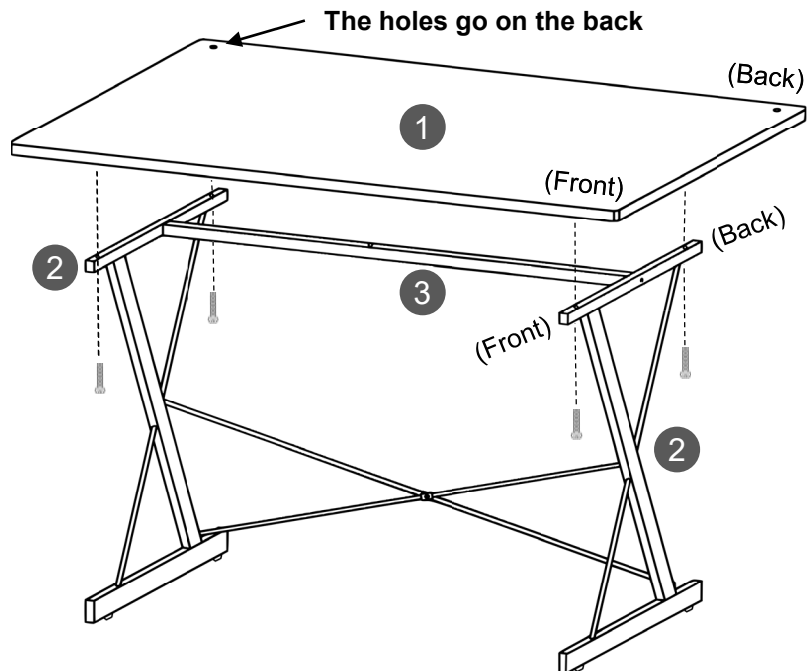


**STEP 4**

**Hardware:**




<b>B</b>		5 Pcs
----------	---	----------

With the help of another person, place the tabletop **1** over the frame making sure the holes coincide, and secure it to the Legs **2** and the Horizontal bar **3** with screws **B** from underneath.



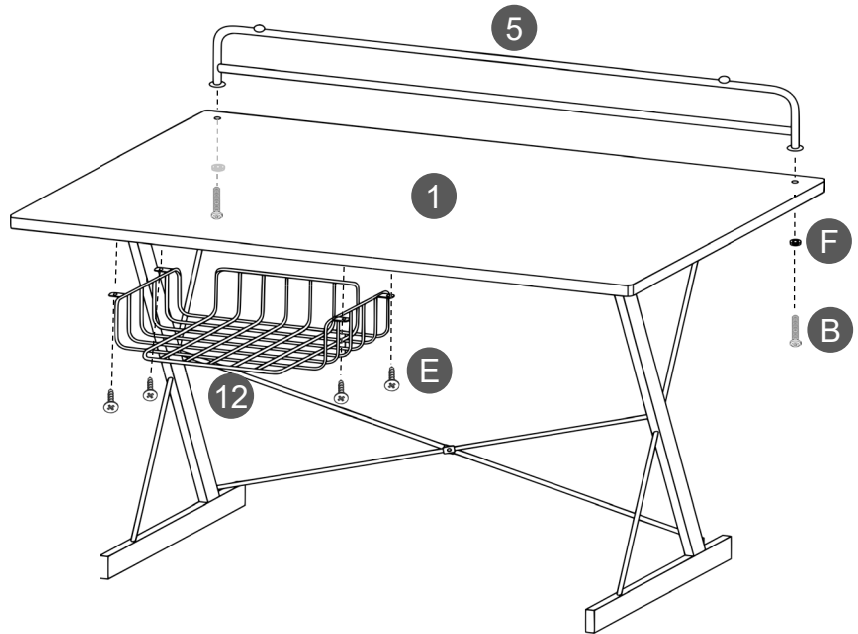
**STEP 5**

**Hardware:**

<b>B</b>		2 Pcs
	M6x30	
<b>E</b>		4 Pcs
	ST4x12	
<b>F</b>		2 Pcs
	Ø6x18	



- Assemble the Top support bar **5** to the Tabletop **1** with screws **B** and washers **F** from underneath.
- Assemble the Wire basket **12** to the Tabletop **1** with screws **E** from underneath.



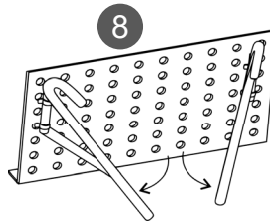
**STEP 6**

**Hardware:**

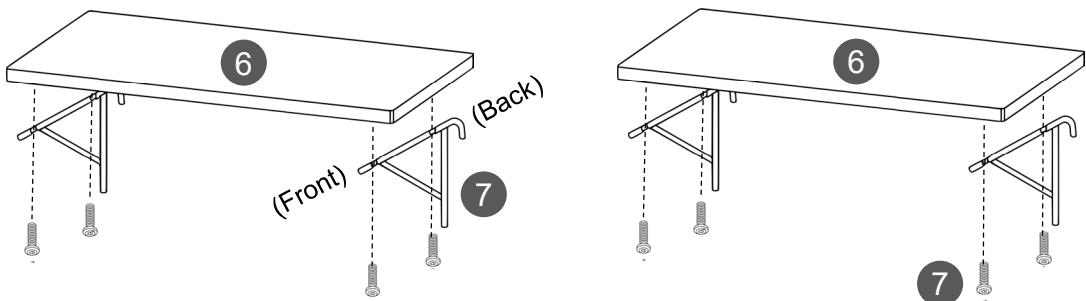
<b>I</b>		8 Pcs
	M6x15	



- Unfold the supports on the Tablet holder **8**.



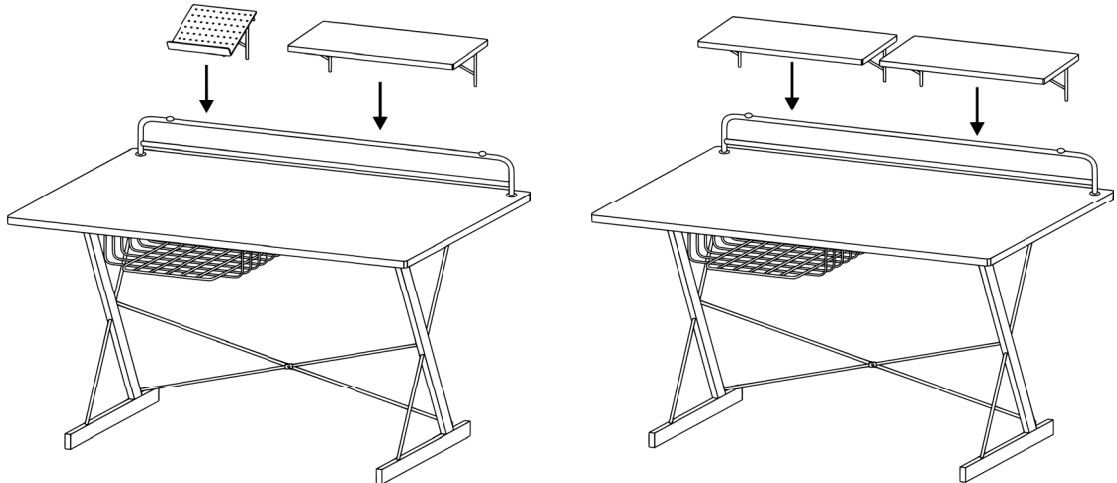
- Attach the Shelf supports **7** to the Monitor panels **6** with screws **I**.



## STEP 7

You can now install the Monitor panels and the Tablet holder according to your preference:

- Only one monitor shelf with the tablet holder on either side.
- Both monitor shelves side to side.



## STEP 8

## Hardware:

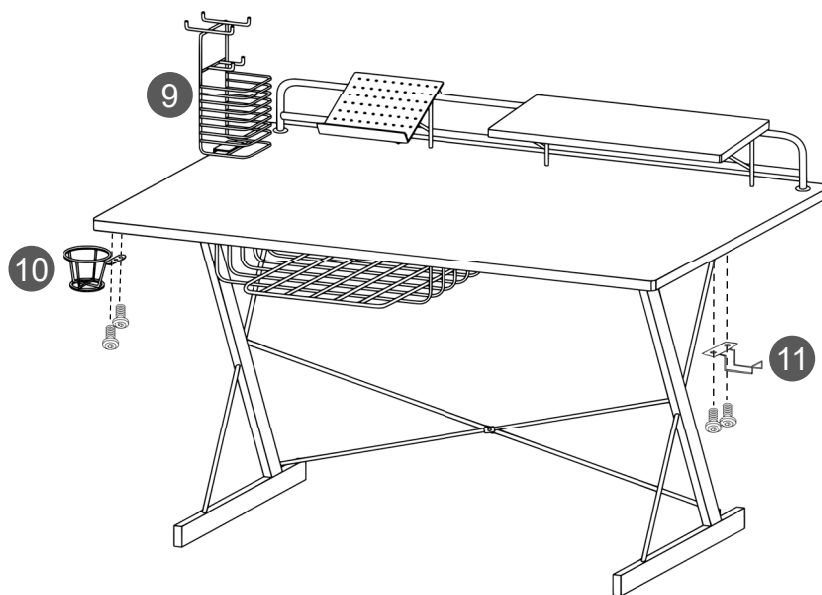
H



M6x10

4  
Pcs

- Assemble the Cup holder **10** and the Headphones holder **11** to the underside of the tabletop **1** with screws **H** and according to your preference. You can install one on each side, or both on the same side.
- Attach the CD holder **9** to either side of the Tabletop **1** by tightening its screw knob.

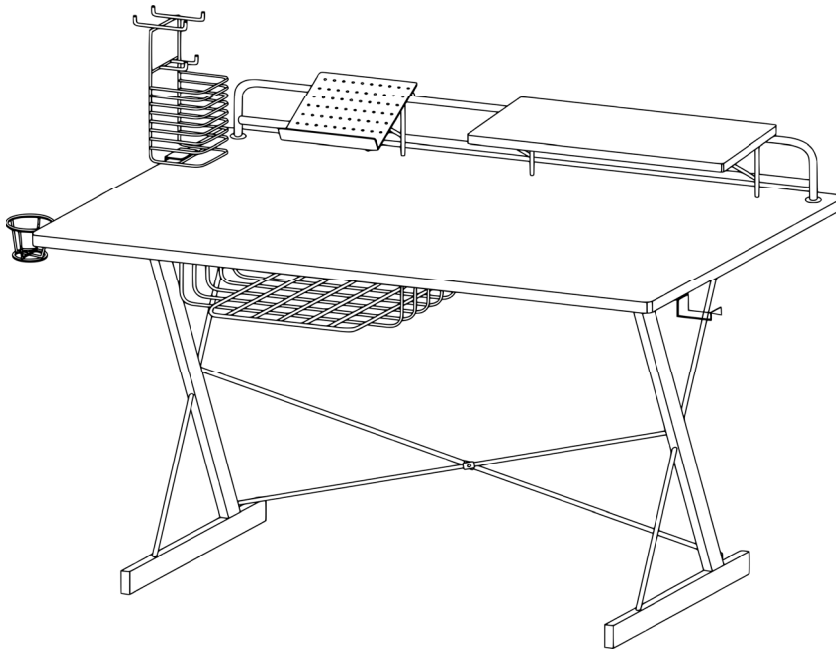


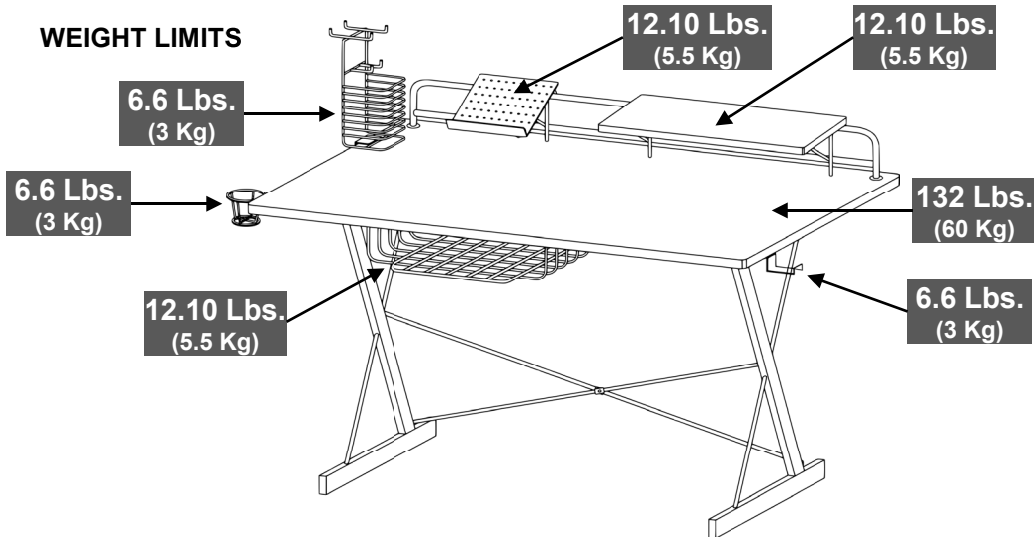




# ALL DONE!

Give yourself a nice pat on the back. You did a great job!



**CARE, MAINTENANCE AND SAFETY WARNINGS:**

- Do not exceed the indicated weight limits.
- Do not expose the surfaces to direct sunlight or to extreme environmental conditions.
- Clean the surfaces preferable with a clean cloth damped in a solution of mild soap and water, then dry with a clean towel.
- Do not use solvents or abrasive materials to clean the unit.
- If you decide to use a cleaning agent, test first on an area hidden from view such as underneath the tabletop.
- Do not sit on the unit or lean against it.
- Do not allow small children to play under or over the unit.
- Do not pull, push or drag the unit to move it for more than 1 feet. The unit must be lifted by at least 2 persons when moving in the same or adjacent rooms.
- Before moving the unit, make sure to secure or remove any object that is heavy or might fall off.
- When lifting the unit, use both hands and bend your knees, not your backs.
- When transporting the unit to places far away, protect and secure the unit to avoid damage in transit.
- Shall any part of the unit become defective during the warranty period, replacement parts might be available to you at no charge. Please refer to the last pages on this manual.
- The warranty does not extend to regular wear and tear, nor the manufacturer assumes liability for damages or consequences due to accidents, incorrect assembly, negligence, improper use, modifications, or not heeding the above warnings.

**TECHNI SPORT WARRANTY**  
**Gaming Chair: 2-YEAR WARRANTY**  
**Gaming Desk: 5-YEAR WARRANTY**  
**Gaming Chair Metal Frame: LIFETIME WARRANTY**

RTA Products, LLC has warranted the Techni Sport products to the original purchaser who acquired a new product from RTA Products or its authorized re-sellers of the product against defects in material or workmanship.

This warranty is expressly limited to the repair or replacement (at its option) of defective product components or materials as a result of a defect in materials or workmanship. This warranty is limited to merchandise purchased in the Continental United States. No assembly labor is included. The word "defects" as used in this warranty, is defined as imperfections that impair the utility of the product.

This warranty applies under conditions of normal use, but does not apply to defects that result from intentional damage, wear & tear, negligence, unreasonable use or exposure. Liability for consequential damages is excluded to the extent exclusion is permitted by law. This warranty gives you specific legal rights, and you may have other rights that vary from State to State.

RTA Products does not warrant: a) natural variations in character marks b) changes in surface finishes due to aging or exposure to light c) marks, scars, or wrinkles occurring naturally in leather d) failure resulting from normal wear and tear e) the matching of colors, grains, or textures of natural materials f) the colorfastness or the matching of textiles, including an exact match to cuttings or to swatch cards g) damage, marking, or staining of veneer surfaces due to contact with rubber or similar compounds, damage from sharp objects or imprinting from writing instruments, or prolonged exposure to direct sunlight h) we do not warrant products that are exposed to extreme environmental conditions or that have been subject to improper storage.

RTA Products shall not be liable for loss of time, inconvenience, commercial loss, or incidental or consequential damages.

Any modification to the original product voids the warranty. We do not warrant the performance of the product when used in combination with other than original products.

This product has been designed for and is intended for office, home-office and gaming use only. This warranty is Original Purchaser's sole remedy for product defects, and this warranty does not extend to any product, or damage to any product, caused by or attributed to abuse or misuse, products used for commercial or rental purposes, use modifications of, or attachments to the product, and products or parts not used, maintained, or extended here under is in lieu of any and all other warranties, express or implied, including without limitations any implied warranty or merchant ability or of fitness for a particular purpose.

Report any defects to RTA Products, LLC together with your sales receipt or other proof of purchase. If the chair is defective within the terms of the warranty, RTA Products, LLC will furnish a replacement chair (at its option) at no cost of equal or similar value and design.

RTA Products will advise you of the procedure to follow in making warranty claims. The following are the procedures for warranty claims:

- a) Call us Monday – Friday, from 9am-5pm (Eastern Time) at (866) 782-5520 to explain the defect and give your name, address and phone number. Please have ready the model number of our product, date and place of purchase. You can also write to us by e-mail to [warranty@rtaproducts.com](mailto:warranty@rtaproducts.com) and include the same information.
- b) If we determine that replacement will remedy the situation, and in order to determine the extent or the cause of the defect, purchaser will need to send the part in question at purchaser's expense. Once we receive the part, we will examine it and determine whether the claim is valid (or not), and then proceed to send the replacement. We will ship the replacement at our expense.

# FOR SEVERAL HELP OPTIONS INCLUDING REPLACEMENT PARTS ORDERS

---

VISIT: [WWW.TECHNISPORTUSA.COM](http://WWW.TECHNISPORTUSA.COM)



CLICK ON SUPPORT TAB



Scan QR Code to order replacement parts

OR EMAIL US: [SUPPORT@TECHNISPORTUSA.COM](mailto:SUPPORT@TECHNISPORTUSA.COM)