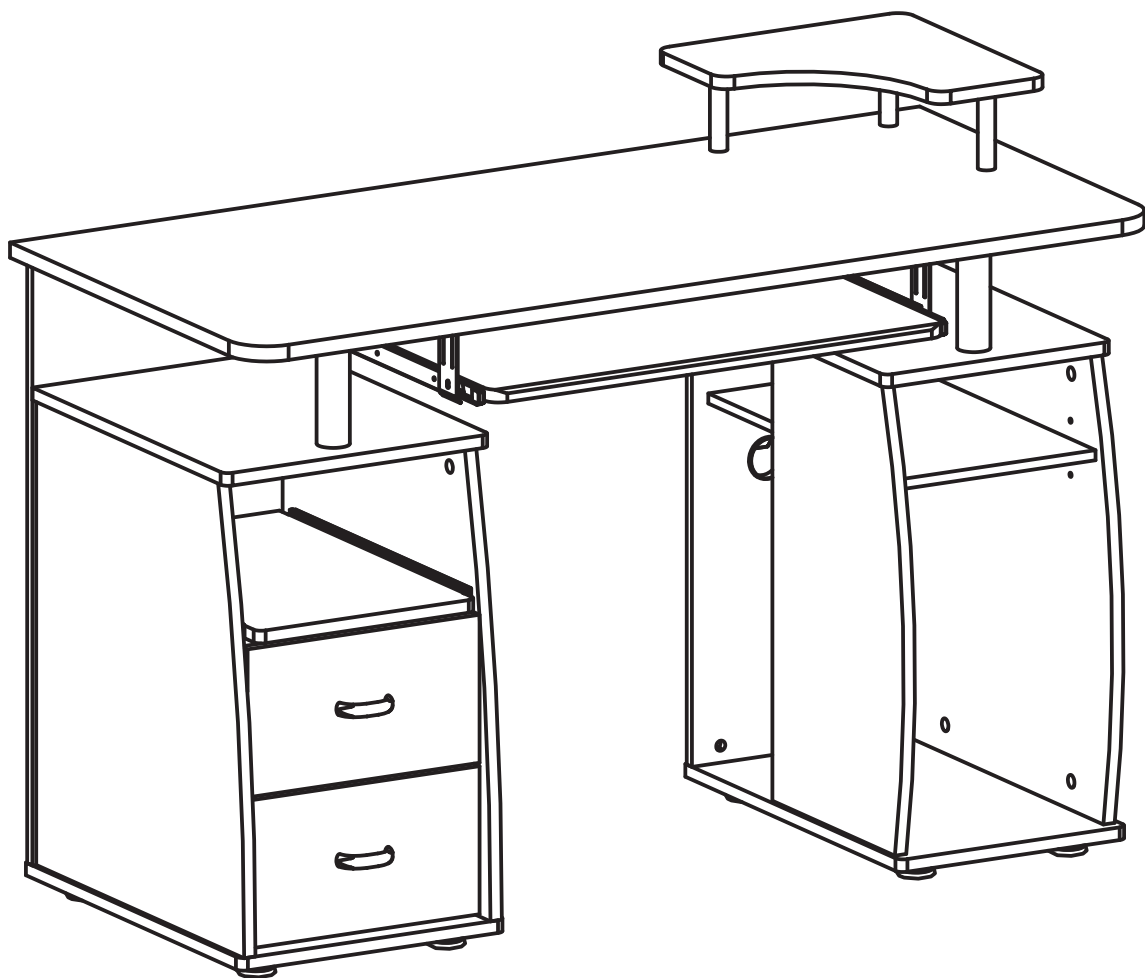


# MODEL RTA - 8211

## ASSEMBLY INSTRUCTIONS

Thanks for purchasing our product

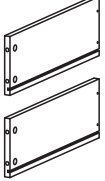
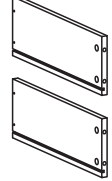
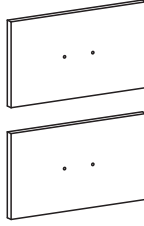
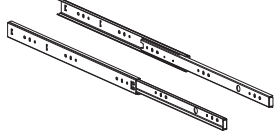
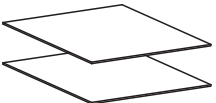
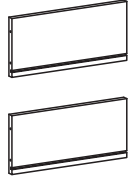

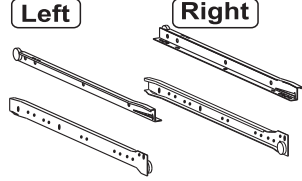
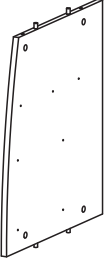
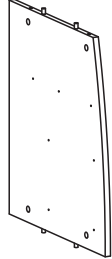
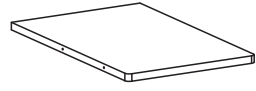
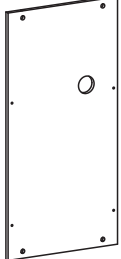
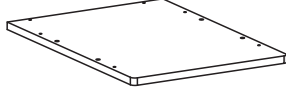
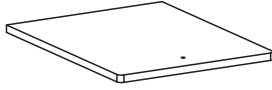
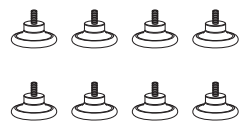

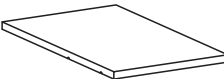
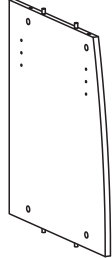
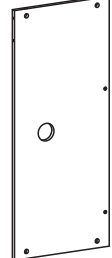
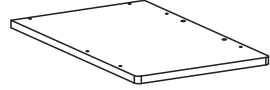


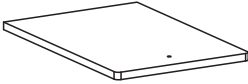
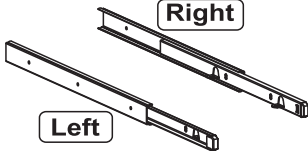


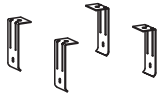
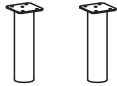

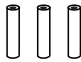

Please read carefully  
the assembly instructions  
before the installation.

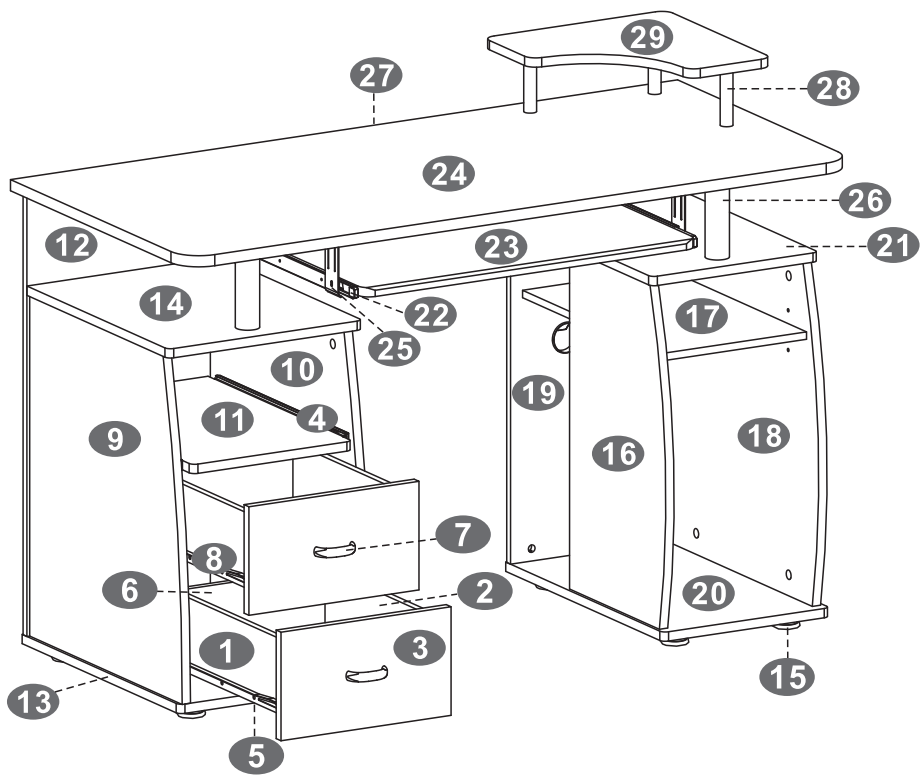


Do not discard this manual  
or any of the packaging  
material until the unit has  
been completely assembled.








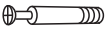

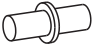



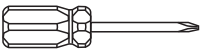

# PART LIST

 <p>1</p> <p>• Drawer left panels (x2)</p>	 <p>2</p> <p>• Drawer right panels (x2)</p>	 <p>3</p> <p>• Drawer front panels (x2)</p>	 <p>4</p> <p>• Scanner panel sliders (x2)</p>
 <p>5</p> <p>• Drawer bottom panels (x2)</p>	 <p>6</p> <p>• Drawer back panels (x2)</p>	 <p>7</p> <p>• Handles (x2)</p>	 <p>8</p> <p>• Drawer sliders (x2 sets)</p>
 <p>9</p> <p>• Left panel</p>	 <p>10</p> <p>• Right panel</p>	 <p>11</p> <p>• Scanner panel</p>	 <p>12</p> <p>• Back panel</p>
 <p>13</p> <p>• Drawer box bottom panel</p>	 <p>14</p> <p>• Drawer box top panel</p>	 <p>15</p> <p>• Studs (x8)</p>	 <p>16</p> <p>• CPU box left panel</p>
 <p>17</p> <p>• CPU box auxiliary panel</p>	 <p>18</p> <p>• CPU box right panel</p>	 <p>19</p> <p>• CPU box back panel</p>	 <p>20</p> <p>• CPU box bottom panel</p>

<p>21</p>  <p>• CPU box top panel</p>	<p>22</p>  <p>• Keyboard sliders</p>	<p>23</p>  <p>• Keyboard panel</p>	<p>24</p>  <p>• Tabletop</p>
<p>25</p>  <p>• Slider Base (x4)</p>	<p>26</p>  <p>• Support tubes for tabletop (2)</p>	<p>27</p>  <p>• Central back panel</p>	<p>28</p>  <p>• Support tubes for accessory shelf panel (3)</p>
<p>29</p>  <p>• Accessory shelf panel</p>			



## SCREWS

PART	QTY.	ITEM		PART	QTY.	ITEM	
<b>A</b>	16	6X40 MM		<b>I</b>	2	WASHER	
<b>B</b>	26	3X15 MM		<b>J</b>	3	6X30 MM	
<b>C</b>	8	4X35 MM		<b>K</b>	6	5X40 MM	
<b>D</b>	4	4X20 MM		<b>L</b>	20	6X25 MM	
<b>E</b>	12	4X14 MM		<b>M</b>	4	5X17 MM	
<b>F</b>	4	6X12 MM		<b>N</b>	2	GROMMET	
<b>G</b>	4	4X4 MM			1	SCREWDRIVER	
<b>H</b>	5	6X35 MM					

☛ This unit uses cam bolts and locks. The following explains how to use them. This is not an assembly step; it is a guide for when you are actually doing the assembly using this kind of hardware.

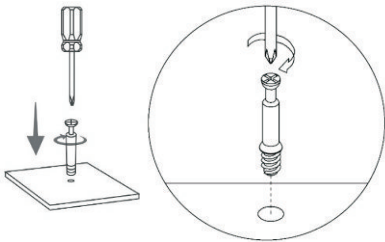
Cam Bolt



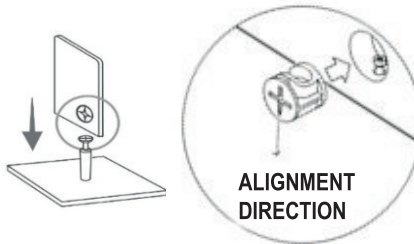
Cam Lock



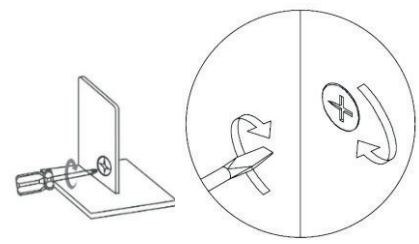
1. Screw the bolt into the corresponding panel.



2. In the other panel, insert the cam lock and align it so it can properly receive the bolt, then join both panels (the cam locks might come pre-installed in this unit).



3. The panels might have a very small gap which is normal; turn the cam lock clockwise to lock the parts together and the gap will also close.

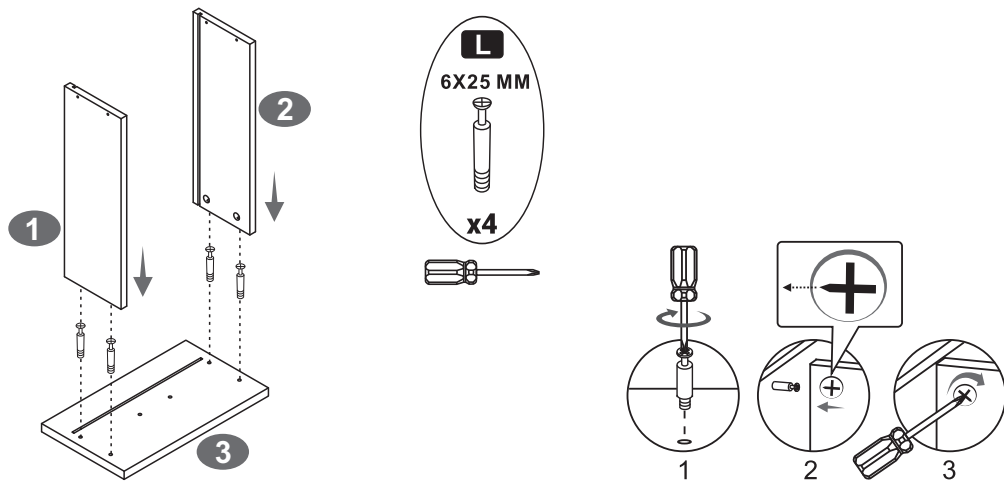


#### BEFORE YOU START THE ASSEMBLY, PLEASE READ THE FOLLOWING TIPS AND WARNINGS.

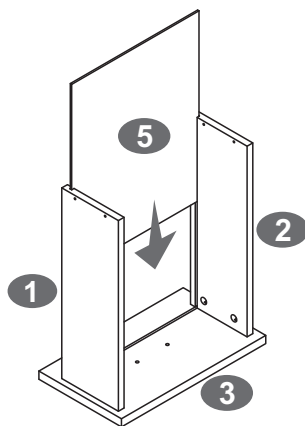
- Do a quick inventory to make sure the product contains all the parts and hardware.
- Missing, damaged and defective parts can be replaced at no cost to you. Please refer to the CONTACT card included with the product.
- The replacement parts service is limited to the continental United States. If you reside in Hawaii, Puerto Rico, U.S. Dependencies or other countries, please contact the supplier from where the unit was purchased.
- If during assembly you find an issue or need clarification, please contact our Customer Service for assistance. Please refer to the CONTACT card included with the product.
- On each step read the instructions and analyze the illustrations thoroughly before proceeding to do the assembly.
- Make sure you understand which hardware will be used on each step. Using the wrong size of screw, bolt or pin might strip the threads or cause damage to the part in which it is being used.
- To avoid misalignments, always leave the screws loose and tighten them until all pieces are positioned correctly.
- Do not overtighten or force the screws as they might break, strip, damage the threads of the holes or get stuck inside the part.
- Sometimes the laminate might cover partially or entirely the hole on a panel, but the hole should still be located under the laminate.
- If there is no visible hole for the screw, pass and press the tip of your finger over the area where the hole should be located to feel the indentation, and once found, carefully pierce the laminate to reveal the hole underneath.
- If the hole seems too small for the screw, first make sure you are using the correct size of screw and that it's been installed in the correct hole. If the hole still appears to be too small, carefully pierce the laminate to reveal the hole's actual size.

## STEPS

1

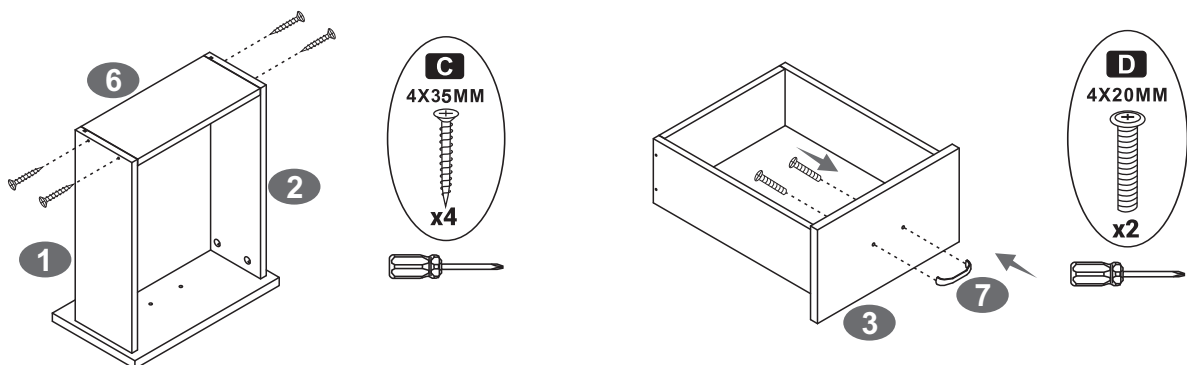


- Insert the Bolts (L) in the holes of the Drawer Front Panel (3) and tighten them with the tool, then place the Drawer Left & Right Panels (1&2) over the Bolts and tighten the cam locks on the inside face of these panels.



- Slide in the Drawer Bottom Panel (5).

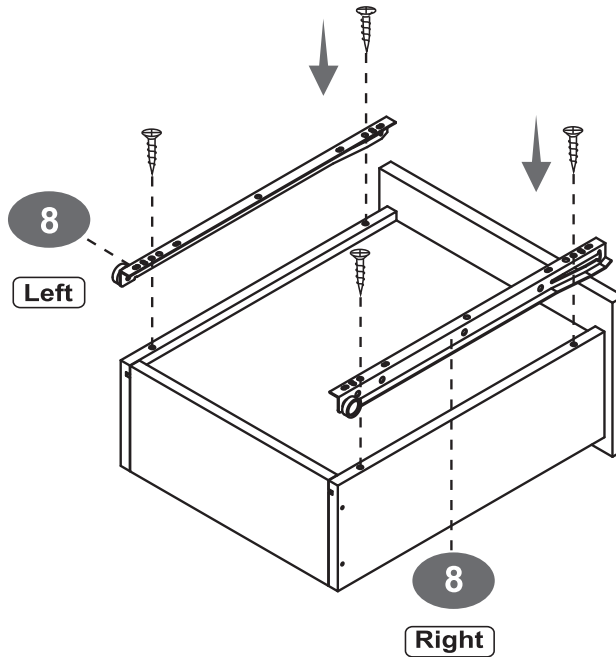
2



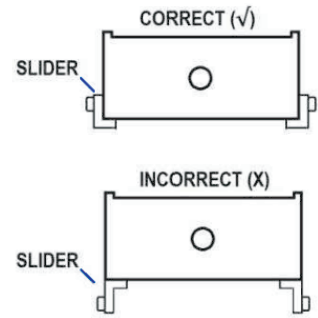
- Use screws C to assemble the Drawer Back Panel (6) between the Drawer Left & Right Panels (1 & 2).

- Use screws D to install handle (7) from the inside of the Drawer.

3

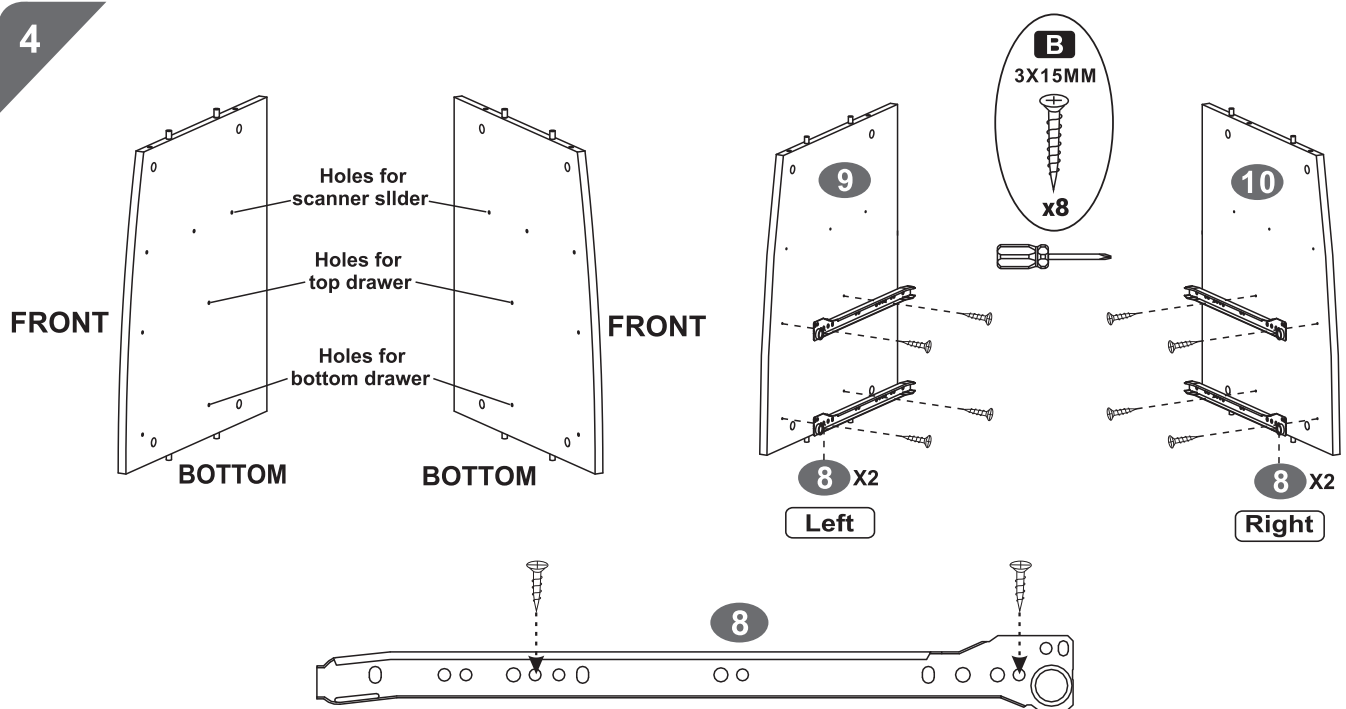


**IMPORTANT:** The sliders must not protrude at the bottom, otherwise the drawer will raise about 1/2" more and will not fit in the unit, please refer to the illustrations below.



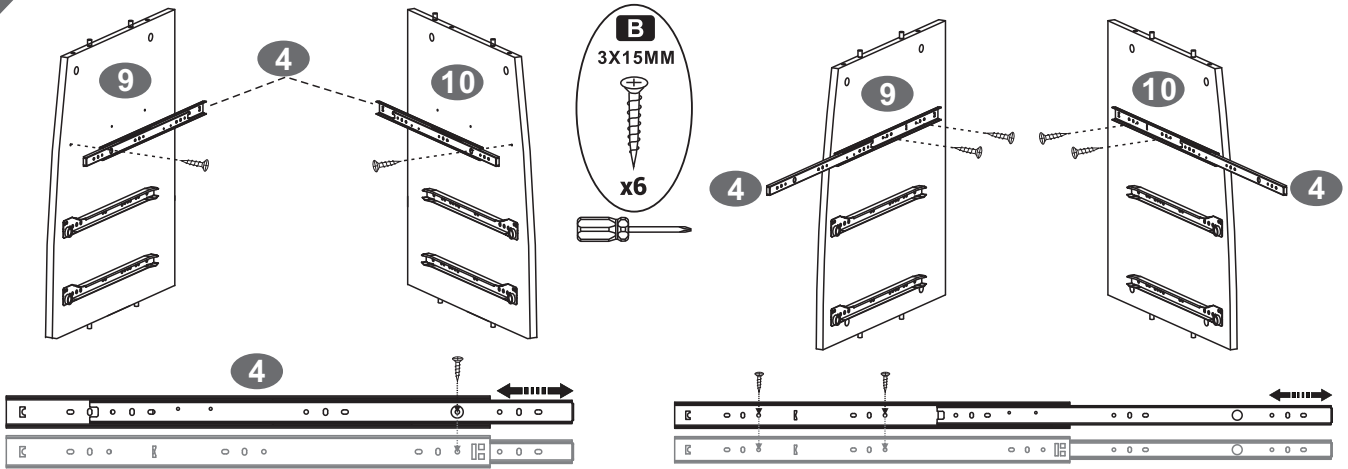
- Sort the sliders (8) by their shape. Set aside the flat ones, they are used until next step. Turn the drawer upside-down and place the "L" shape sliders with the wheels towards the back, then assemble them using screws (B).
- REPEAT STEPS 1-3 TO ASSEMBLE THE SECOND DRAWER.**

4

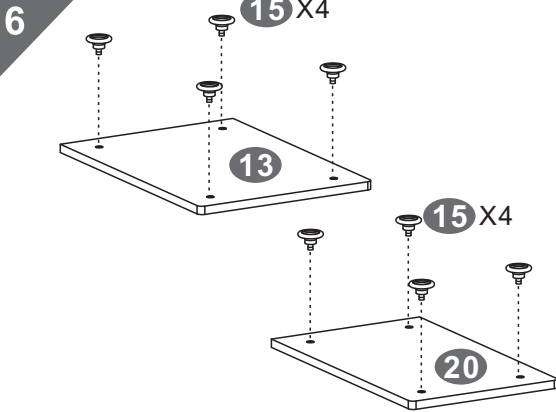


- Use screws (B) to assemble the flat drawer sliders (8) on the middle and bottom sets of slider holes on panels (9) and (10) as indicated. The wheels will be facing towards the front of the panels.

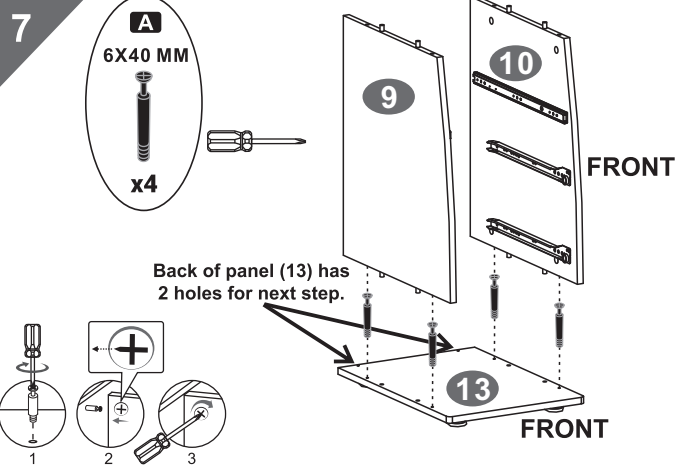
**5** IMPORTANT: Make sure you use in this step the correct sliders (4) which are longer and have more holes than the sliders (22).



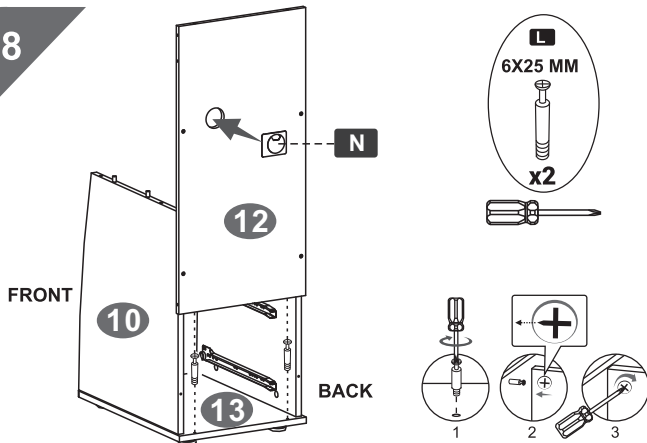
Use screws (B) to assemble the scanner sliders (4) to the top sets of slider holes on panels (9) and (10) in the following order: First open the slider slowly until the first hole on the front of the slider is visible thru the big opening, and attach to the front hole on the panels as shown. Then open the slider completely and attach to the 2 back holes as shown.



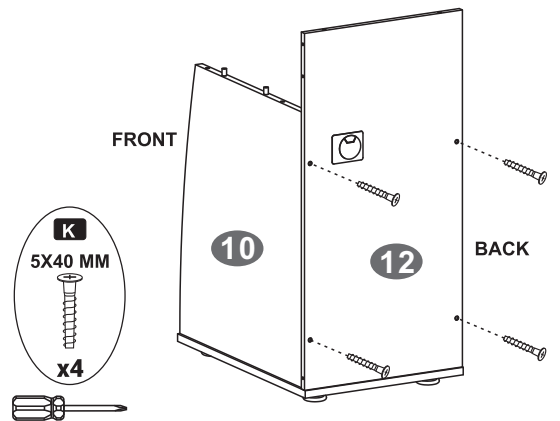
- Place the drawers box bottom panel (13) and the CPU box bottom panel (20) upside-down, and attach the studs (15) as shown.



- Attach the bolts (A) to the drawers box bottom panel (13), then assemble the Left and Right panels (9) and (10) as shown.



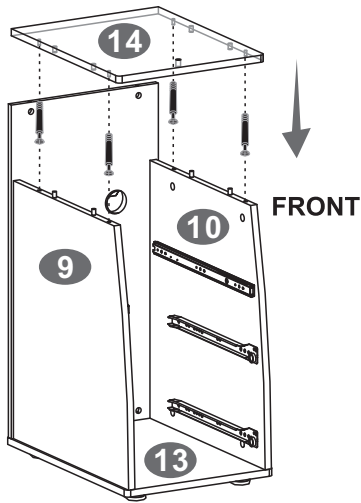
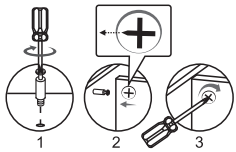
- Attach the bolts (L) to the drawers box bottom panel (13), then assemble the back panel (12) as shown. Then attach the grommet (N) to the back panel (12).



- Secure the back panel (12) to the side panels (9) and (10) using screws (K) as shown.



9

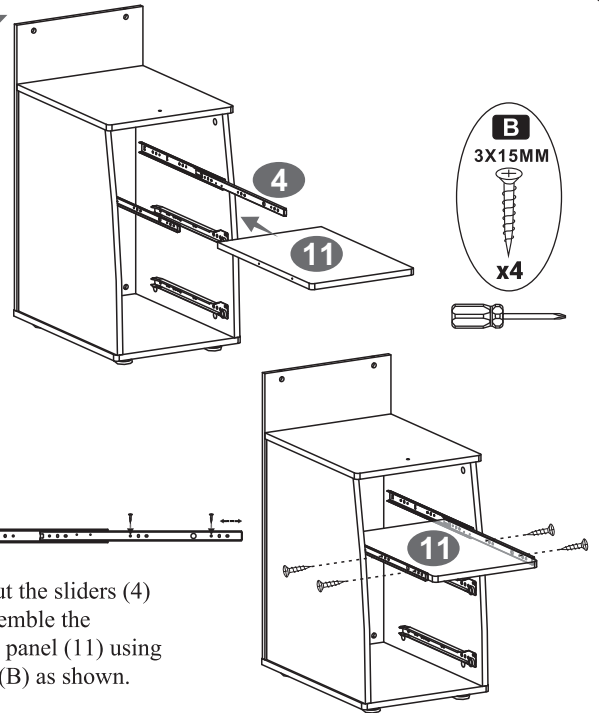


- Attach the bolts (A) to the drawers box top panel (14), and then assemble it the side panels (9) and (10) as shown.

10



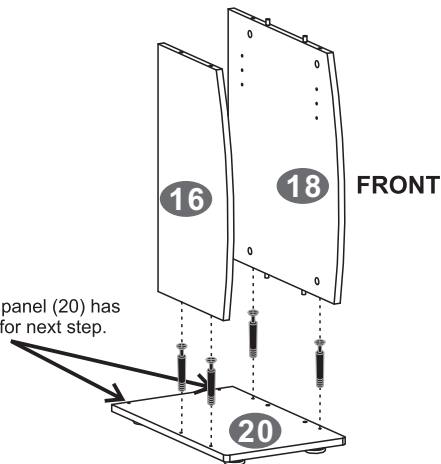
- Slide out the sliders (4) and assemble the scanner panel (11) using screws (B) as shown.



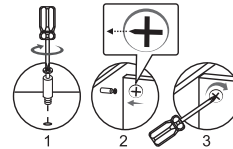
11



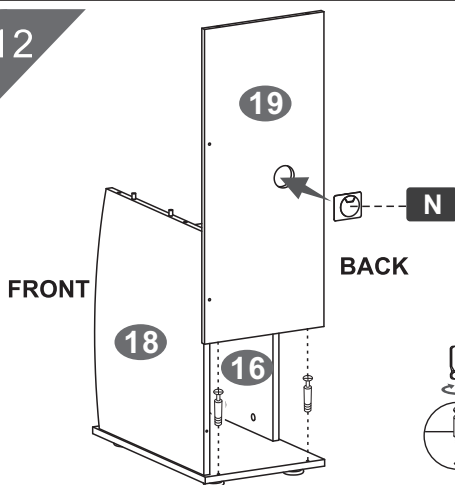
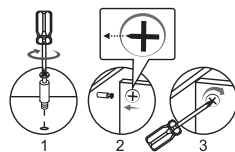
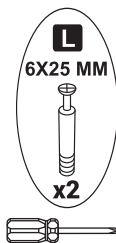
Back of panel (20) has 2 holes for next step.



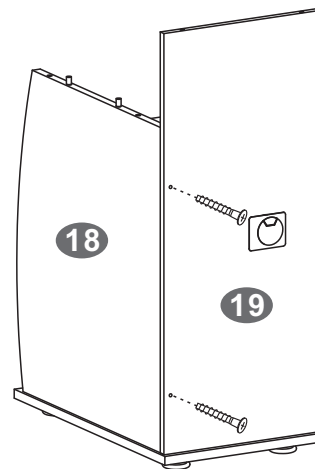
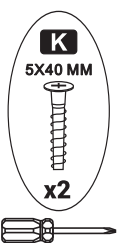
- First attach the bolts (A) to the drawers box bottom panel (20), then assemble the CPU left and right panels (16) and (18) as shown.



12

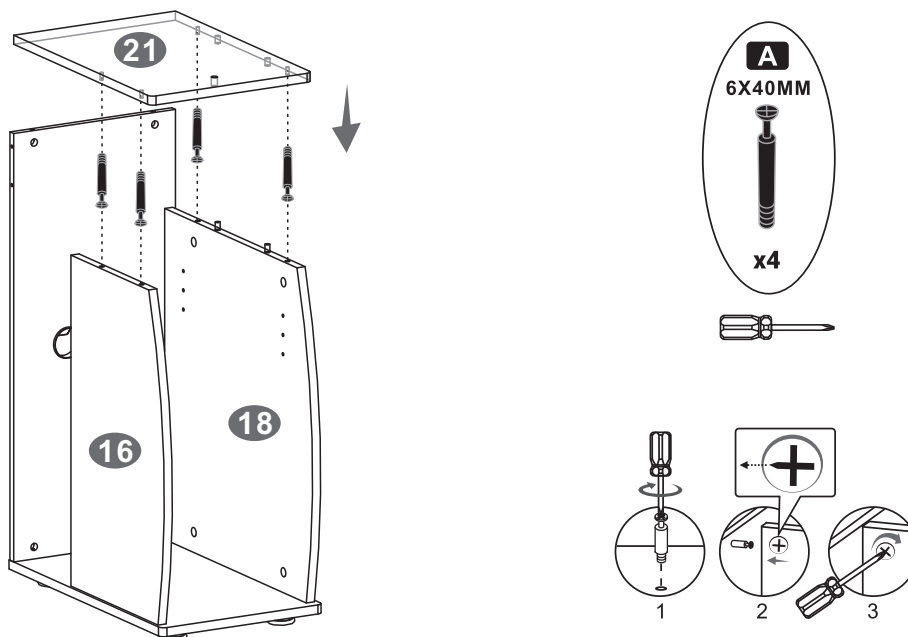


- Attach the bolts (L) to the CPU box bottom panel (20), then assemble the back panel (19) as shown. Then attach the grommet (N) to the back panel (19).



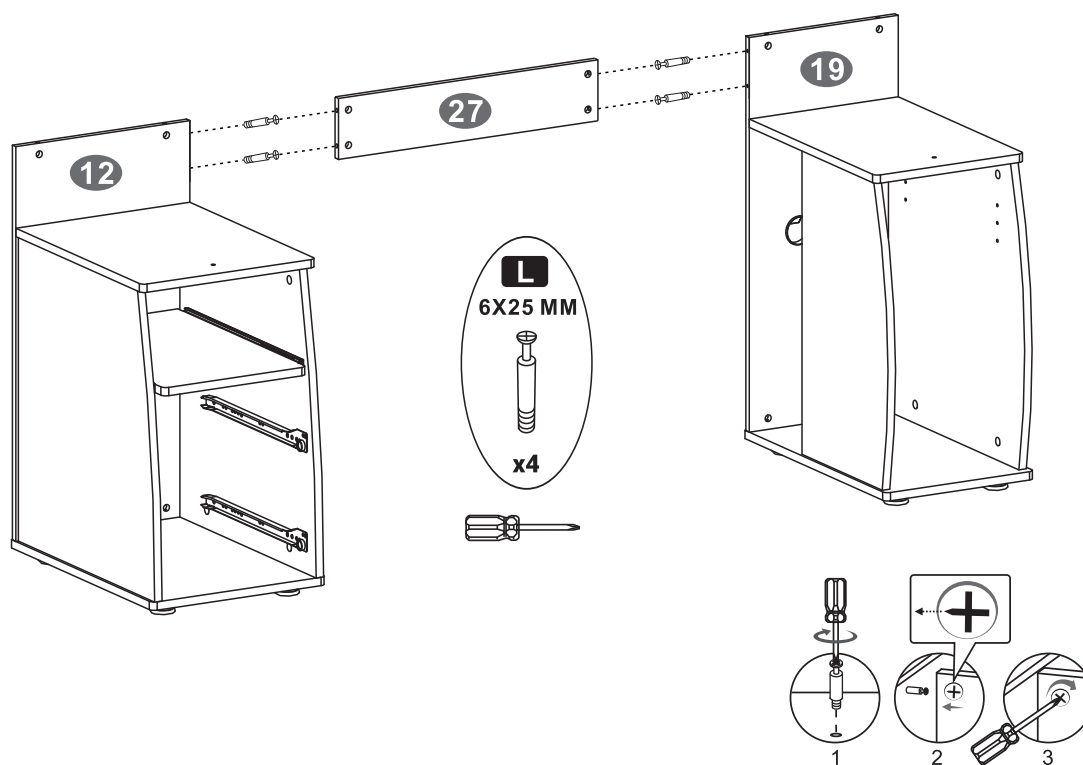
- Use Screws K to assemble the CPU box Back Panel (19) to the CPU box Right Panel (18).

13



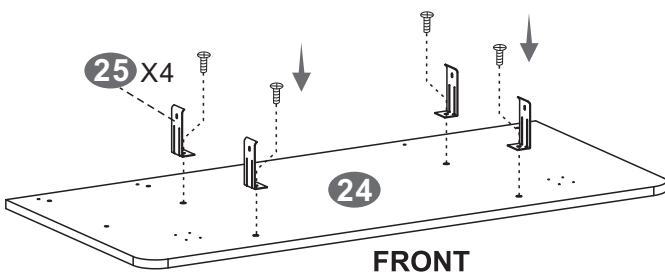
- Attach the bolts (A) to the CPU box top panel (21), and assemble it to the side panels (16) and (18) as shown.

14



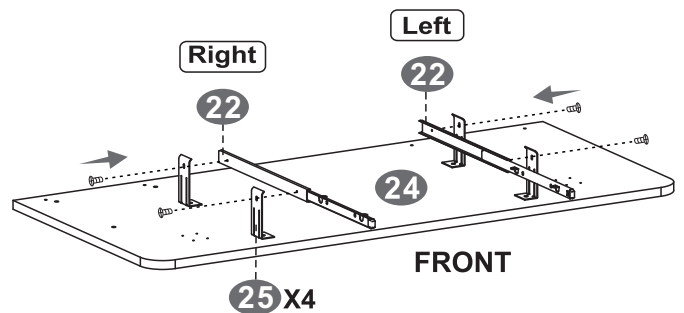
- Use Bolts L to assemble Central Back Panel (27) between the Back Panel (12) and the CPU box Back Panel (19). Tighten the cam locks.

15



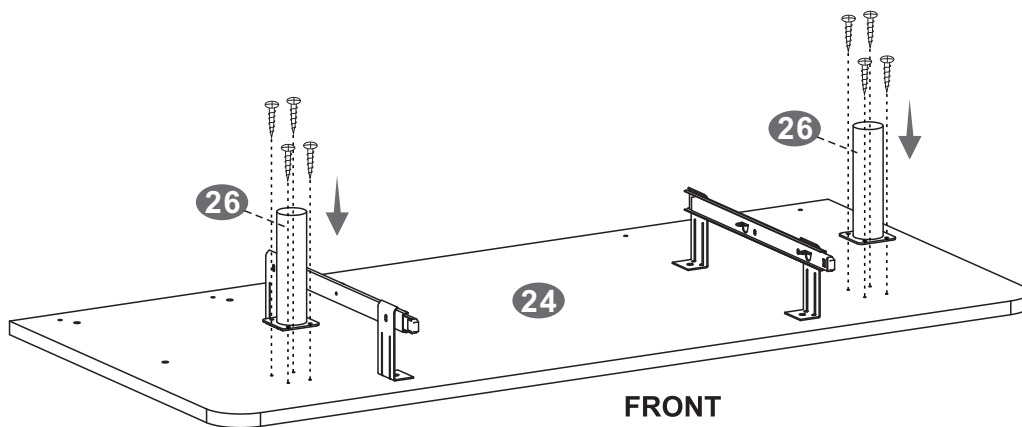
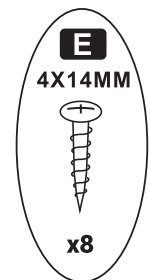
- Use screws (F) to assemble the Slider Bases (25) to the back face of the Tabletop (24).

16



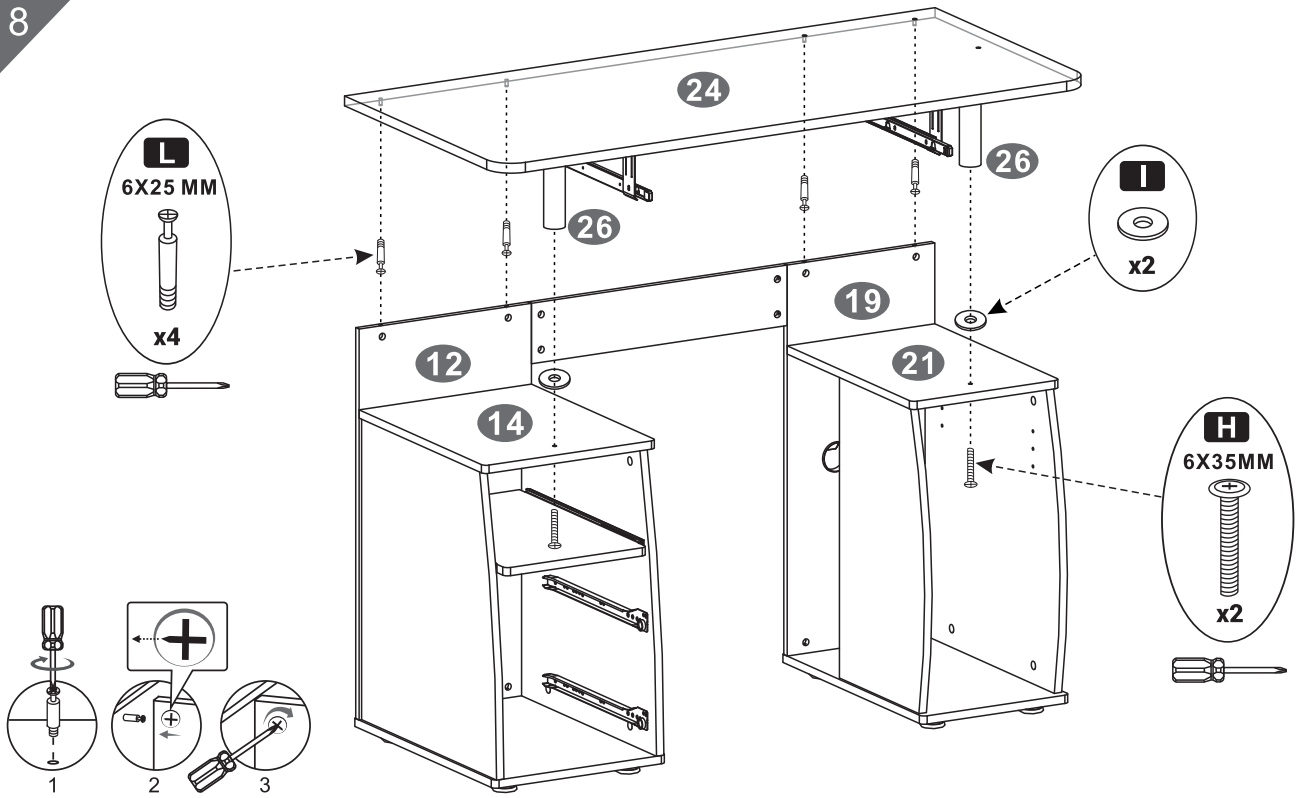
- Use Screws G to assemble the Keyboard Sliders (22) to the Slider Bases (25). The screws enter from the exterior through the bases, and screw into the sliders. If there are no threaded holes on the sliders, you probably are using the wrong ones and will have to switch. Please see step #5.

17



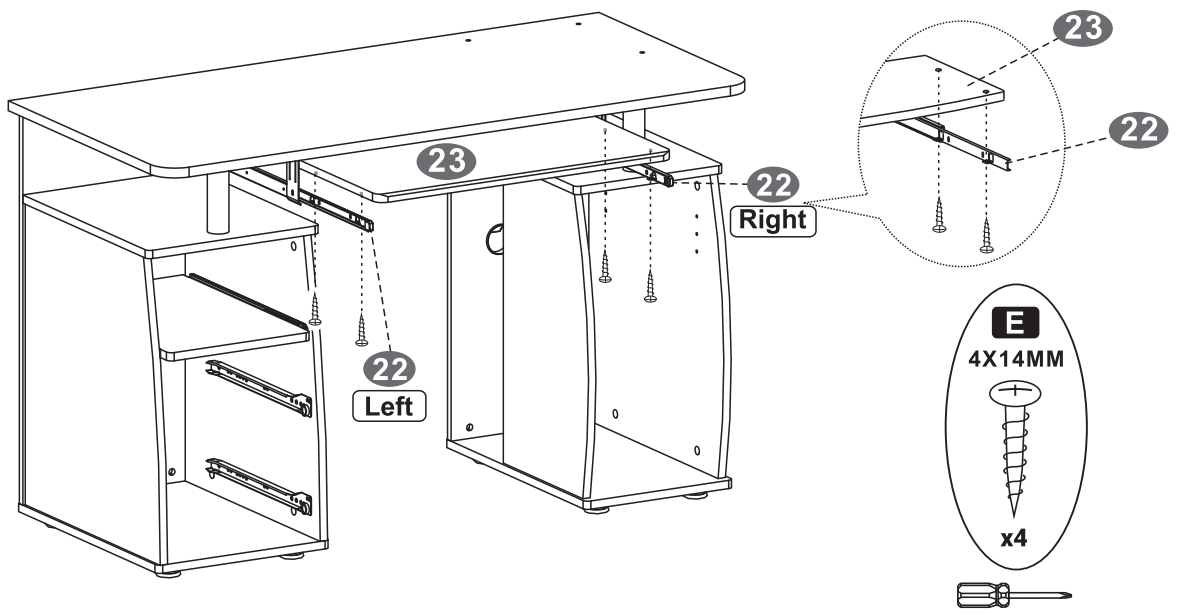
- Assemble the slider bases (26) to the back face of the tabletop (24) using screws (E).

18



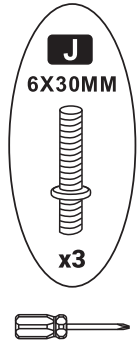
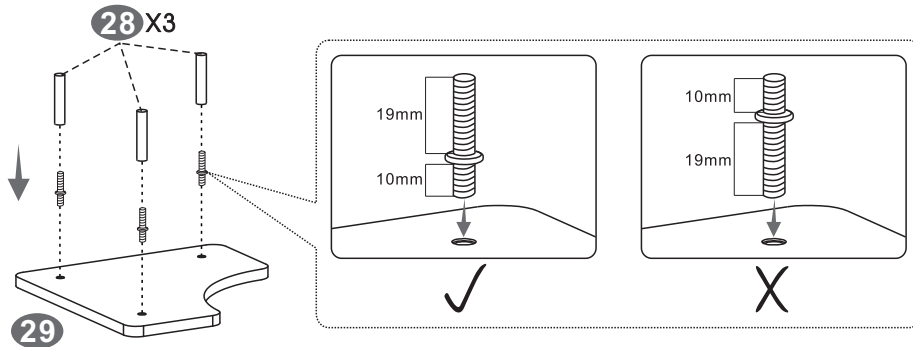
- Screw Bolts L into the holes of the back face of the Tabletop (24). Place washers (I) over the holes of panels (14) & (21), and place the tabletop over the frame. Use screws H to assemble the Supporting Tubes (26) to the frame. Finally, tighten the cam locks.

19



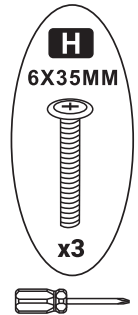
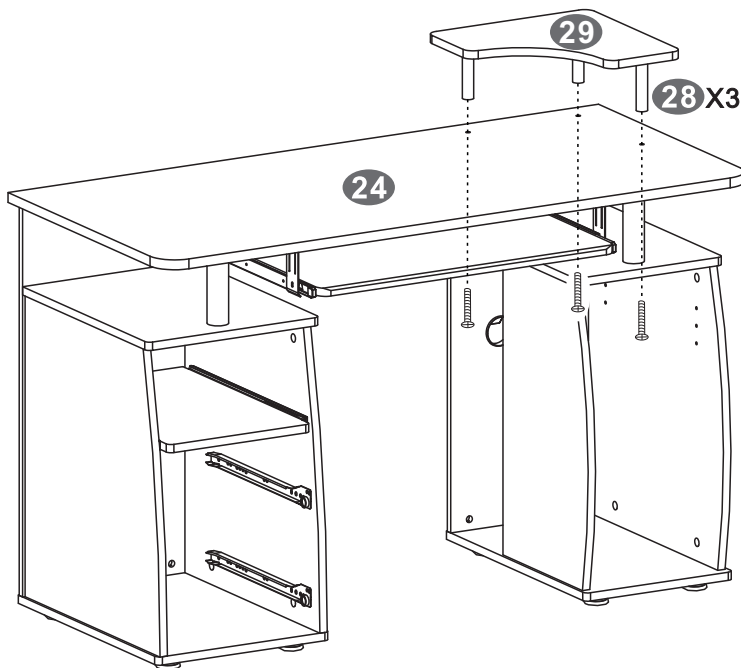
- Slide out the Keyboard Sliders (22), place the Keyboard Panel (23) over the Sliders so that the holes match and assemble them from below with Screws E.

20



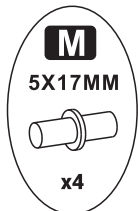
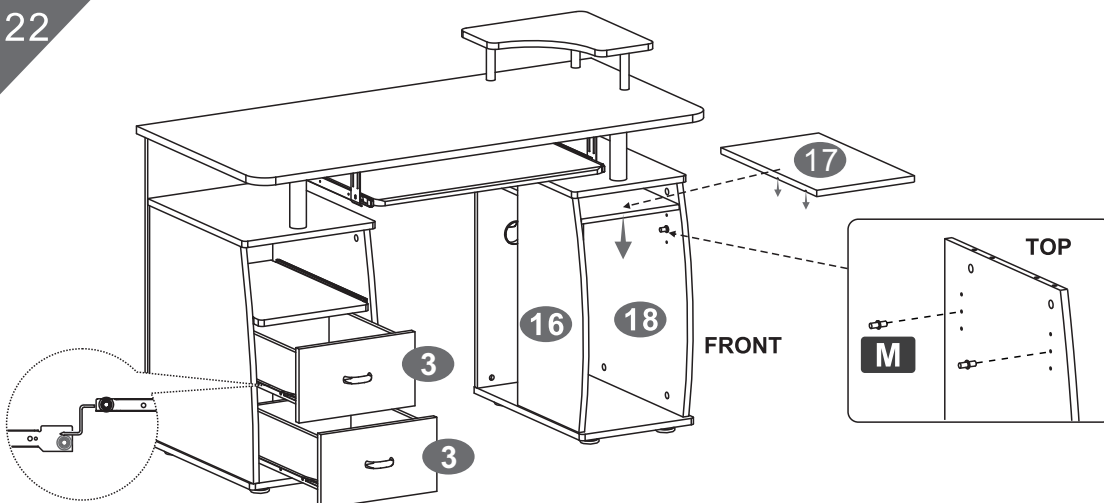
- Insert the Support Tubes (28) to the back face of the Accessory Shelf Panel (29) using screws J.

21



- Use screws H to assemble the support tubes (28) from the Accessory Shelf Panel (29) to the Tabletop (24).

22



- Slide in the drawers and place the CPU box auxiliary panel (17) over the pins (M).

Top drawer might need to be inserted at an angle (upward inclination).

- Insert the Pins (M) to the CPU box left and right panel (16 & 18).

# DONE!

Before you start using the unit, please read all the warnings in the following page.

