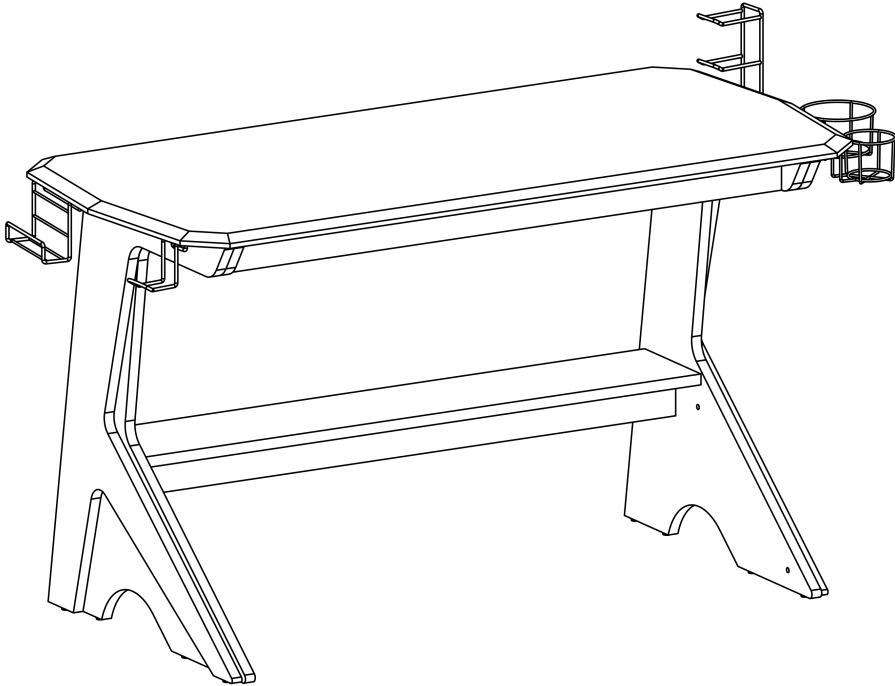


MODEL RTA-3992D

ASSEMBLY INSTRUCTIONS

Thank you for purchasing one of our products.
Please read carefully the assembly instructions before the installation.
Do not discard this manual or any of the packaging material until the unit
has been completely assembled.

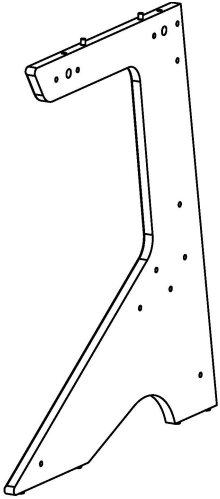


By

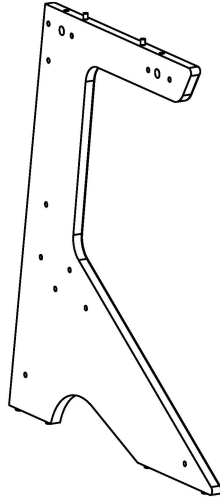


MAIN PARTS LIST

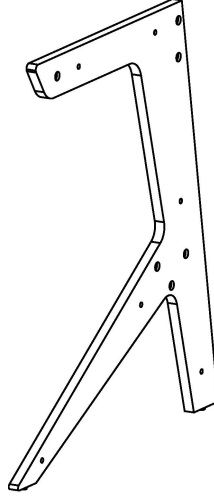
1
x1 Left leg structure



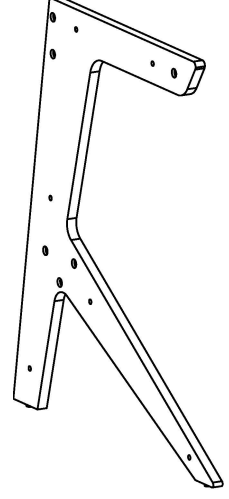
2
x1 Right leg structure



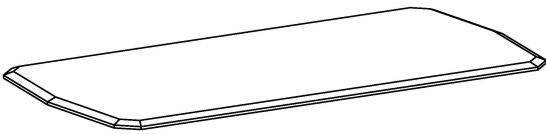
3
x1 Left ornament panel



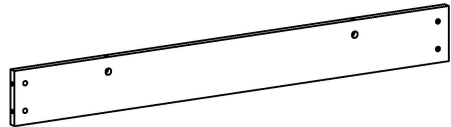
4
x1 Right ornament panel



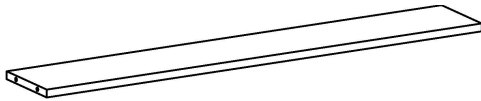
5
x1 Main panel



6
x1 Back panel



7
x1 Middle shelf



8
x2 Support panels



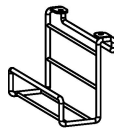
9
x1 Small accessory holder



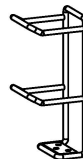
10
x1 Small cup holder



11
x1 Large cup holder



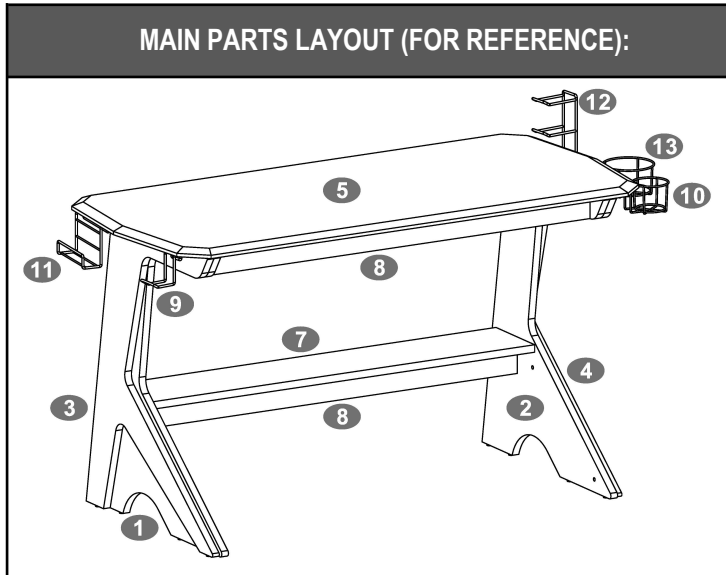
12
x1 Control holder



13
x1 Large cup holder



MAIN PARTS LAYOUT (FOR REFERENCE):



SCREWS LIST:

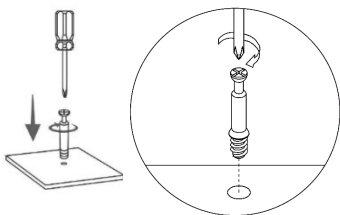
PART	QTY	SIZE / DESCRIPTION	FIGURE
A	10	6X40 MM	
B	12	6X30 MM	
C	12	6X55 MM	
D	14	4X14 MM	
	1		

☛ This unit uses cam bolts and locks. The following explains how to use them. This is not an assembly step; it is a guide for when you are actually doing the assembly using this kind of hardware.

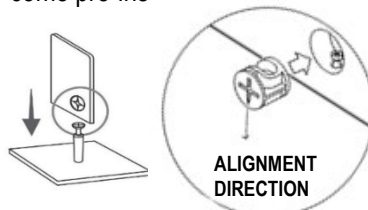
Cam Bolt

Cam Lock

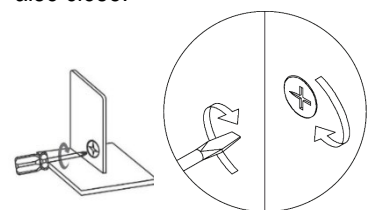
1. Screw the bolt into the corresponding panel.



2. In the other panel, insert the cam lock and align it so it can properly receive the bolt, then join both panels (the cam locks might come pre-installed in this unit)



3. The panels might have a very small gap which is normal; turn the cam lock clockwise to lock the parts together and the gap will also close.

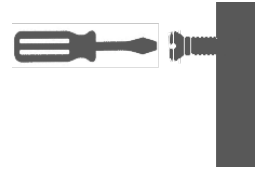


BEFORE YOU START THE ASSEMBLY, PLEASE READ THE FOLLOWING TIPS AND WARNINGS.

1 Do a quick inventory to make sure the package contains all the parts and hardware listed in the assembly instructions.



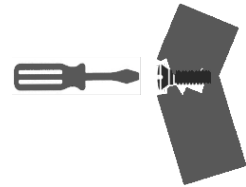
7 To avoid misalignments, always leave the screws loose and tighten them until all pieces are positioned correctly.



2 Missing, damaged and defective parts can be replaced at no cost to you. Please refer to the CONTACT card included with the product.



8 Do not overtighten or force the screws as they might break, strip, damage the threads of the holes or get stuck inside the part.



3 The replacement parts service is limited to the continental United States. If you reside in Hawaii, Puerto Rico, U.S. Dependencies or other countries, please contact the supplier from where the unit was purchased.



9 Sometimes the laminate might cover partially or entirely the hole on a panel. If there is no visible hole for the screw, pass and press the tip of your finger over the area where the hole should be located to feel the indentation, and once found, carefully pierce the laminate to reveal the hole underneath.



4 If during assembly you find an issue or need clarification, please contact our Customer Service for assistance. Please refer to the CONTACT card included with the product.



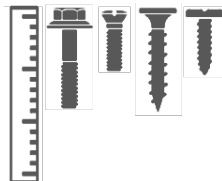
5 On each step read the instructions and analyze the illustrations thoroughly before proceeding to do the assembly.



10 If the hole seems too small for the screw, first make sure you are using the correct size of screw and that it's been installed in the correct hole. If the hole still appears to be too small, carefully pierce the laminate to reveal the hole's actual size.



6 Make sure you understand which hardware will be used on each step. Using the wrong size of screw, bolt or pin might strip the threads or cause damage to the part in which it is being used.

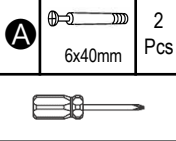


ASSEMBLY STEPS

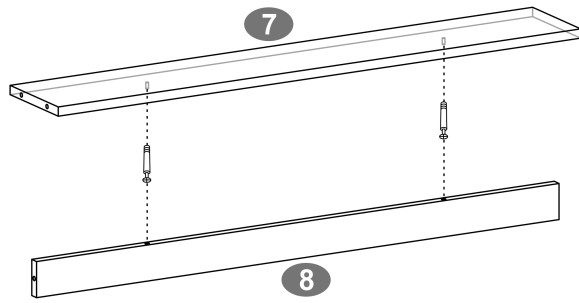
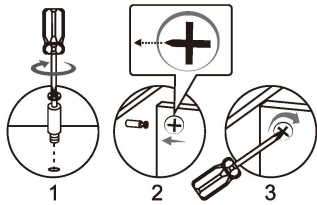
STEP 1

First screw the bolts **A** into the underside holes of the shelf **7**, then align the cam locks on one of the support panels **8** and assemble both panels as shown and as explained in page 3.

Hardware/Tools:



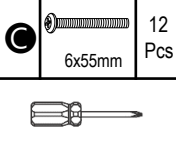
Refer to page 3.



STEP 2

IMPORTANT: Screw loosely, and tighten only after all the panels are in place.

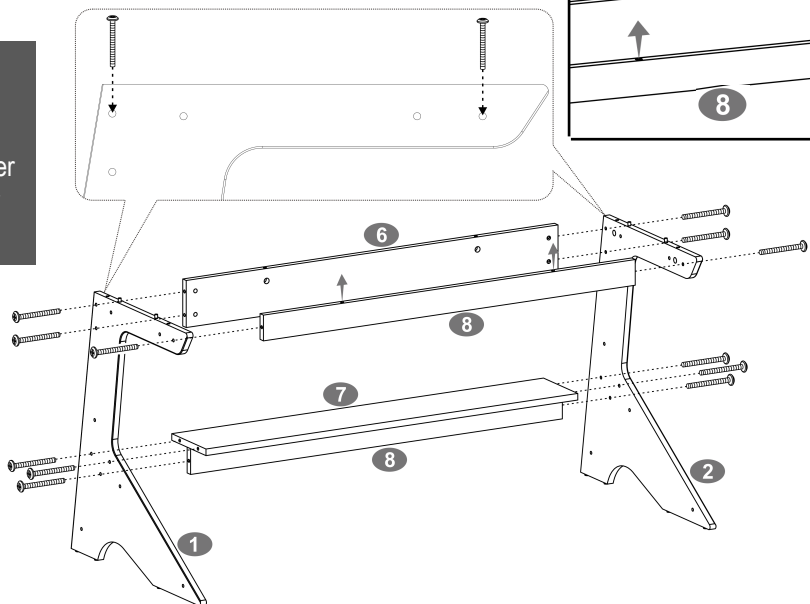
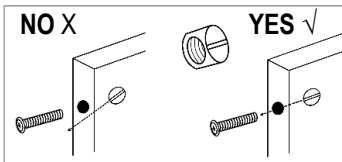
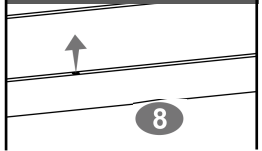
Hardware/Tools:



Use screws **C** to assemble in between the left and right leg structures **1** and **2**:
 - The shelf **7** and support panel **8** in the middle.
 - The other support panel **8** at the front/top.
 - The back panel **6** at the back/top.

All the panels come with pre-aligned insert nuts that look like screws. Please check them first and re-align them with screwdriver if necessary so they can properly receive the screws.

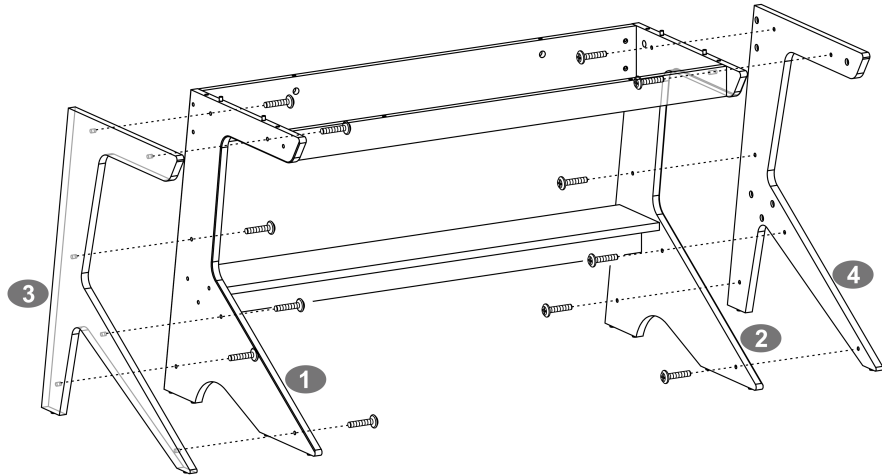
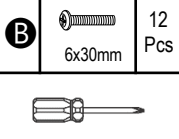
Pay attention to the orientation of the holes on panel **8**.



STEP 3

Assemble the left and right ornament panels ③ and ④ to the legs ① and ② using screws ⑤ from the inside as shown.

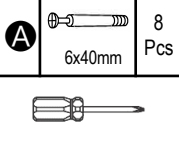
Hardware/Tools:



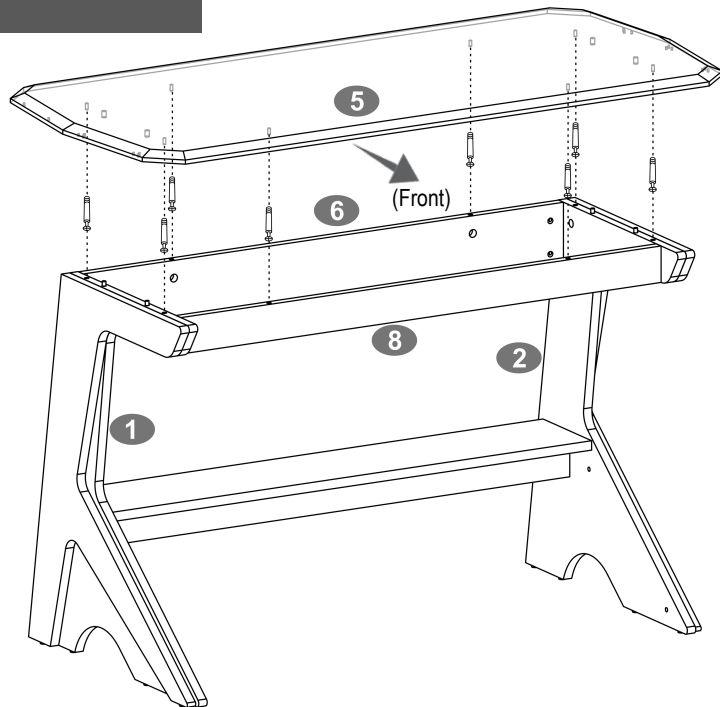
STEP 4

First screw the bolts ⑥ into the underside holes of the main panel ⑤, then align the cam locks on the leg structures ① and ②, and assemble the main panel as shown and as explained in page 3.

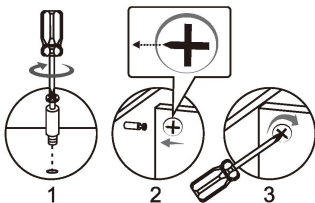
Hardware/Tools:



Pay attention to the orientation of the main panel ⑤.

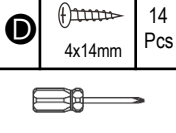


Refer to page 3.

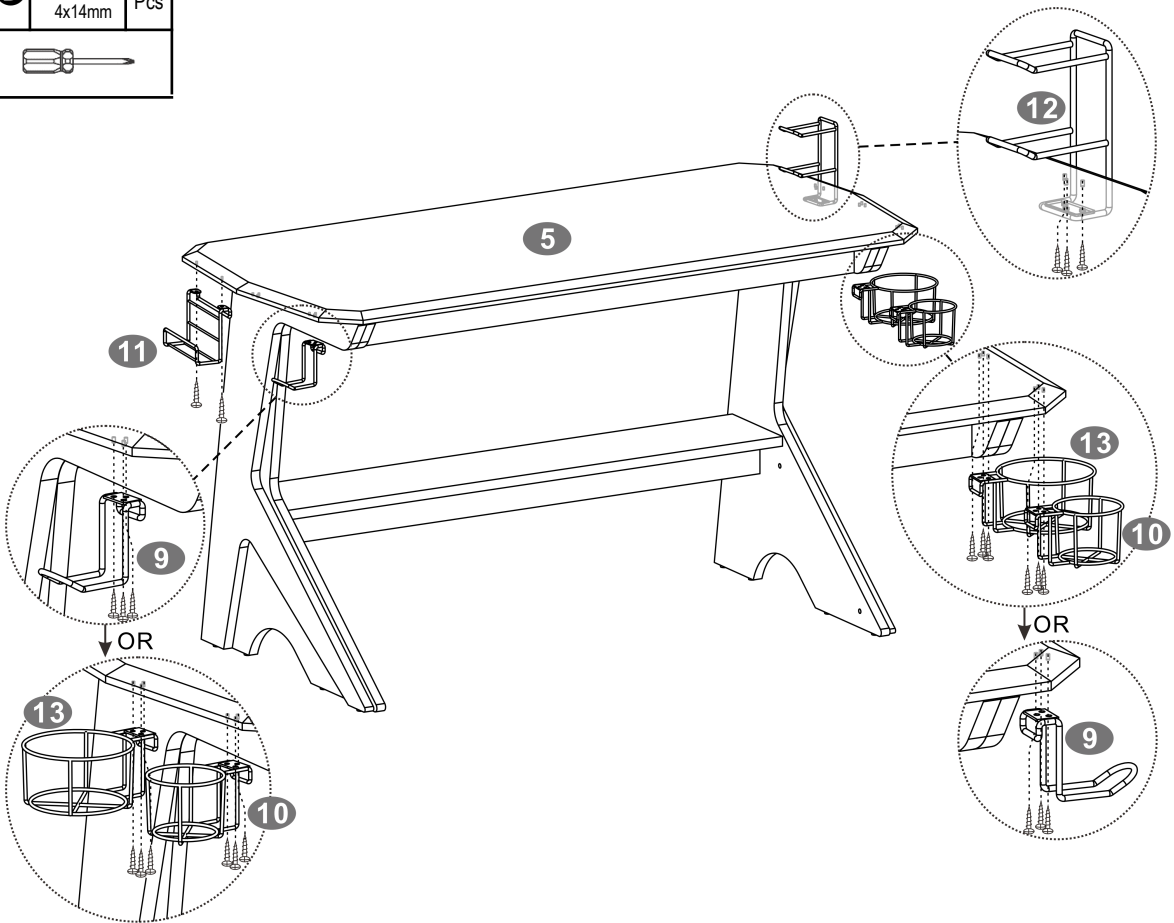


STEP 5

Hardware/Tools:



Use screws ① to assemble to the main panel ⑤ and from underneath, all the holders and accessories ⑨, ⑩, ⑪, ⑫ and ⑬ on the sides of your choice and in the configuration of your preference.

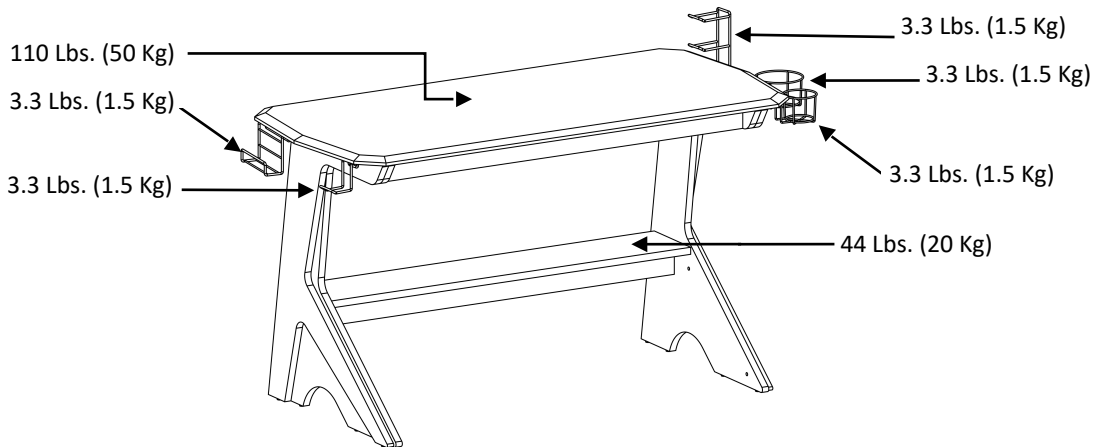


ALL DONE! Give yourself a nice pat on the back. You did a great job!

Before you start using the unit, make sure that all the screws, bolts, cam locks, etc. are properly tightened, and read all the warnings in the next page.

**AFTER THE ASSEMBLY IS DONE, PLEASE READ CAREFULLY THE FOLLOWING
CARE AND MAINTENANCE WARNINGS:**

WEIGHT LIMITS



- Do not exceed the indicated weight limits.
- Do not expose the surfaces to direct sunlight or to extreme environmental conditions.
- Clean the surfaces preferable with a clean cloth damped in a solution of mild soap and water, then dry with a clean towel.
- Do not use solvents or abrasive materials to clean the unit.
- If you decide to use a cleaning agent, test first on an area hidden from view such as underneath the tabletop.
- Do not seat on the unit or lean against it.
- Do not allow small children to play under or over the unit.
- The unit must be handled by at least 2 persons when moving in the same or adjacent rooms.
- Before moving the unit, make sure to secure or remove any object that is heavy or might fall off.
- When lifting the unit, use both hands and bend your knees, not your backs.
- When transporting the unit to places far away, protect and secure the unit to avoid damage in transit.
- Shall any part of the unit become defective during the warranty period, replacement parts might be available to you at no charge. Please refer to the WARRANTY card included with the product.
- The warranty does not extend to regular wear and tear, nor the manufacturer assumes liability for damages or consequences due to accidents, incorrect assembly, negligence, improper use, modifications, or not heeding the above warnings.
- The warranty is limited to the continental United States. If you reside in Hawaii, Puerto Rico, U.S. Dependencies or other countries, please contact the supplier from where the unit was purchased.